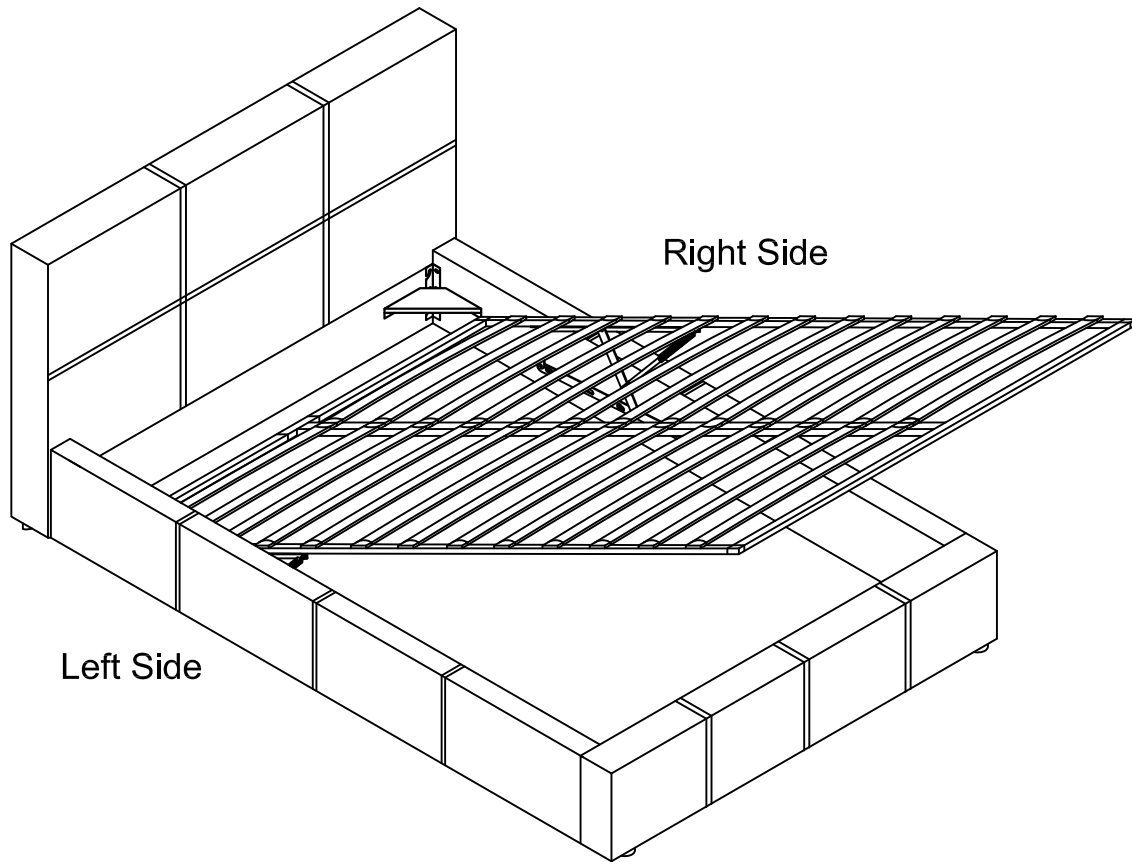


# END LIFT OTTOMAN BED ASSEMBLY INSTRUCTIONS

Thank you for purchasing the END LIFT OTTOMAN BED.  
Please read the instructions carefully to ensure safe operation of the product.



2010mm×1060mm×840mm 3ft Single  
2010mm×1360mm×840mm 4ft Small Double  
2010mm×1510mm×840mm 4ft 6 Double  
2110mm×1660mm×840mm 5ft King  
Finish: Faux Leather

COLOURS: BLACK, BROWN, WHITE

PLEASE READ this sheet prior to assembly to familiarise yourself with the various stages of construction.

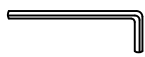
Carefully open the pack supplied and check the contents against the parts and fitting check list.  
Do not destroy any of the packaging until you are certain that you have all the necessary parts for the assembly.

CAUTION: There are small components used in the construction of this unit. These loose items should be kept away from young children whilst assembling your unit to avoid the danger of choking hazards.

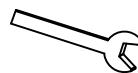
## Tools Required



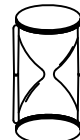
5mm Allen key x 1



4mm Allen key x 1



Spanner x 1



1.5 Hour  
Set Up

Batch no:WMI14904

Page 1 of 14

# END LIFT OTTOMAN BED ASSEMBLY INSTRUCTIONS

## **IMPORTANT - READ CAREFULLY - RETAIN THESE INSTRUCTIONS FOR FUTURE REFERENCE.**

### **INFORMATION**

- This product is intended for a maximum person's weight of 80kg per side. Do not exceed this weight.
- Due to the size of this product we recommend that it is assembled in the room intended for use.
- When you are ready to start, make sure that you have the right tools, plenty of space and a clean, dry area for assembly.
- Unwrap all packaging materials and place the components on top of the carton box or on a clean floor to prevent it from scratching.
- Check the pack and make sure you have all the parts listed.
- Ensure that this product is fully assembled and secured as illustrated before use.
- Check all screws or bolts are tightened and inspect regularly.
- This product should only be used on firm, level ground.
- Please dismantle for transportation
- Tools are included.

### **WARNINGS**

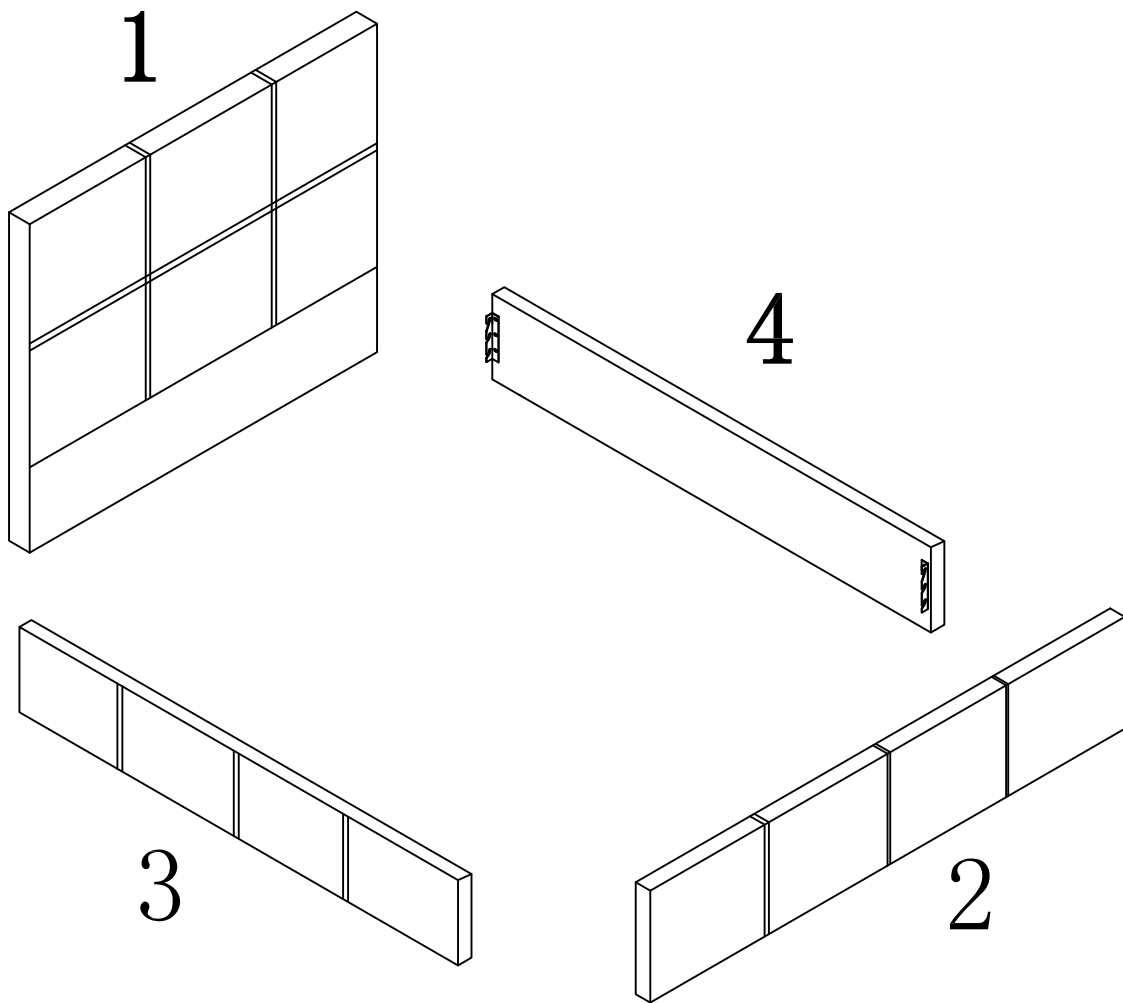
- Only use the storage compartment when the frame is fully raised in the up position.
- DO make sure the legs remain in contact with the ground.
- DO keep small parts out of reach of children.
- DO use caution when operating, this bed uses a pressured mechanism.
- DO keep hands and fingers clear of the mechanism when opening and closing the bed for use.
- DO NOT use power tools to construct this product.
- DO NOT tighten screws until fully assembled.
- DO NOT over tighten screws or bolts.
- DO NOT use this product if parts are missing, damaged or worn.
- DO NOT stand on the product.
- DO NOT remain on the bed whilst the lifting mechanism is in use.
- DO NOT expose this product to dripping or splashing, rain or areas with heavy moisture.
- DO NOT place any objects filled with liquids, such as vases, on the product.
- DO NOT insert foreign objects filled with liquids, such as vases, on the product.
- DO NOT insert foreign objects into the product or attempt to repair this unit by yourself.
- DO NOT place the product in direct sunlight, open flames such as candles or heat, such as radiators. Keep away from temperatures over 35°C.

### **CARE INFORMATION**

- Never use scourers, abrasives or chemical cleaners.
- To clean wipe with a sponge and warm soapy water. Do not use solvent based cleaners or detergents as they can bleach or damage the product.

# END LIFT OTTOMAN BED ASSEMBLY INSTRUCTIONS

Please check the pack contents before assembling the product. If any components are missing, please contact your retailer. The fittings pack contains small items that should be kept away from small children.



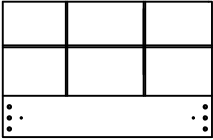





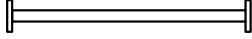
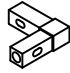
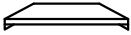
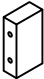





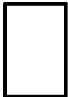
# END LIFT OTTOMAN BED ASSEMBLY INSTRUCTIONS

## Parts and Fittings Checklist

Please check the pack contents before assembling this product. If any components are missing, please contact your retailer.

The fittings pack contains small items that should be kept away from small children.

## Parts

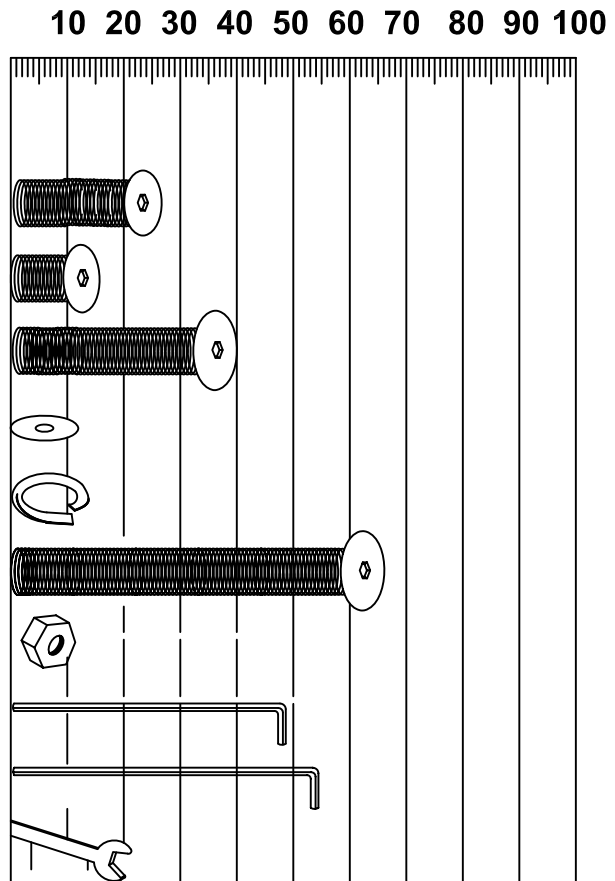
 <p><b>1</b> Headboard x 1</p>	 <p><b>2</b> Footboard x 1</p>	 <p><b>3</b> Left side rail x 1</p>	 <p><b>4</b> Right side rail x 1</p>
 <p><b>5</b> Front / Back frame rail x 2</p>	 <p><b>6</b> Horizontal frame rail x 2</p>	 <p><b>7</b> Centre frame rail x 1</p>	 <p><b>8</b> Plastic bracket sets x 4</p>
 <p><b>9</b> Corner brackets x 4</p>	 <p><b>10</b> Holding blocks x 1</p>	 <p><b>11</b> Adjustable legs x 4</p>	 <p><b>12</b> Belt x 1</p>
 <p><b>13</b> Bent slats x 26 ( single &amp; double ) x 30 ( king )</p>	 <p><b>14</b> Side slat caps x 26 ( single &amp; double ) x 30 ( king )</p>	 <p><b>15</b> Centre slat caps x 13 ( single &amp; double ) x 15 ( king )</p>	 <p><b>16</b> Woven fabric x 1</p>

# END LIFT OTTOMAN BED ASSEMBLY INSTRUCTIONS

Note:the consumer must be able to hold up the fitting to this page so the exact same dimension.The scale MUST be correct.This image is an illustration only.Ensure the font used is the same as the rest of the AI.Name each fitting in the 'Dimensions' column.

## Fixings(to scale)

Ref	Dimensions	Qty
A	Bolt-M8x25	12
B	Bolt-M6x15	12
C	Blot-M6x40	4
D	Washer-M8	12
E	Washer-M8	12
F	Bolt-M6x65	2
G	Nut-M8	2
H	4mm Allen Key	1
I	5mm Allen Key	1
J	Spanner	1



**CAUTION:**There are many small components used in the construction of this product.Please keep these components away from young children whilst assembling this product .

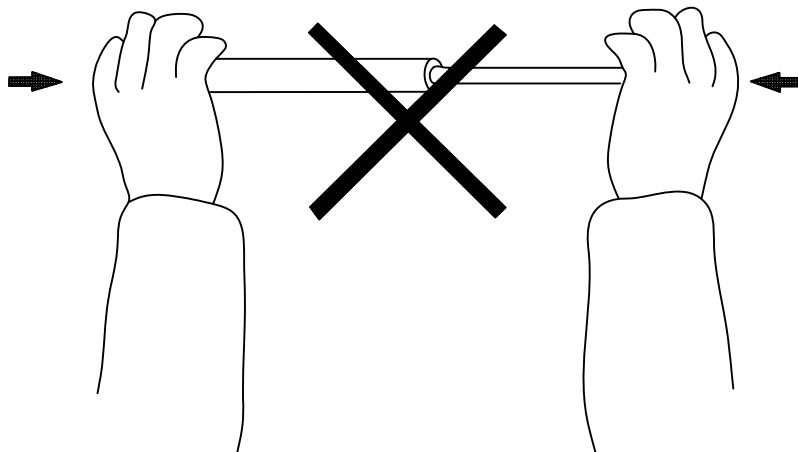
If you keep the fitting in a bowl during assembly you will be less likely to lose them!

## ! IMPORTANT PISTON INFORMATIN

The pistons in the construction of this product are extremely strong and cannot be operated hand when not fitted to the ottoman hinges. All pistons are tested in the factory for correct pressure and operation before use.

**Initially it might appear that the pistons are very stiff when opening and closing the ottoman frame, THIS IS NORMAL.**

After operating the ottoman a few times, the movement of the pistons and the opening and closing of the ottoman will become easier.

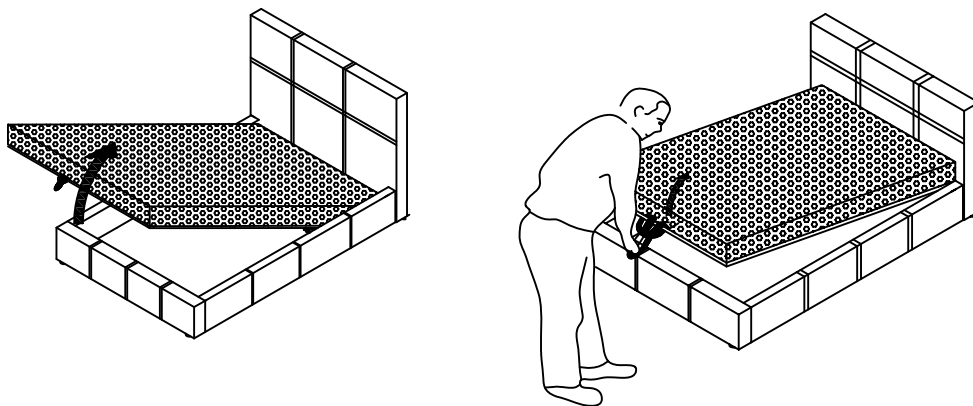


# END LIFT OTTOMAN BED ASSEMBLY INSTRUCTIONS

## Hints and Tips

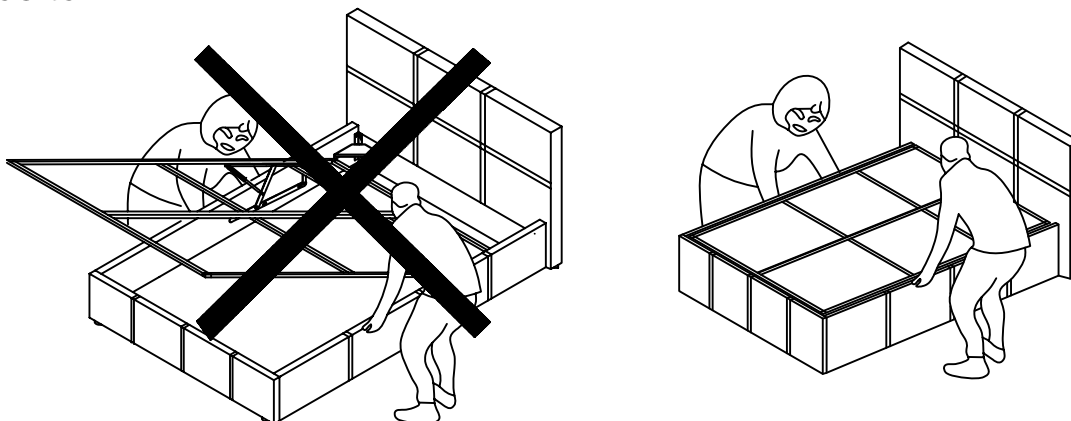
To operate the ottoman, always use 2 hands at arm's length and only where illustrated on this product. You must ensure the mattress is on the bed frame before lifting the mechanism. **Failure to do so may result in injury.**

To ensure your safety please do not stand too close in case the frame bounces up. The weight of the mattress loaded on the frame will keep the frame in a lower position until it is pulled upwards by the user.



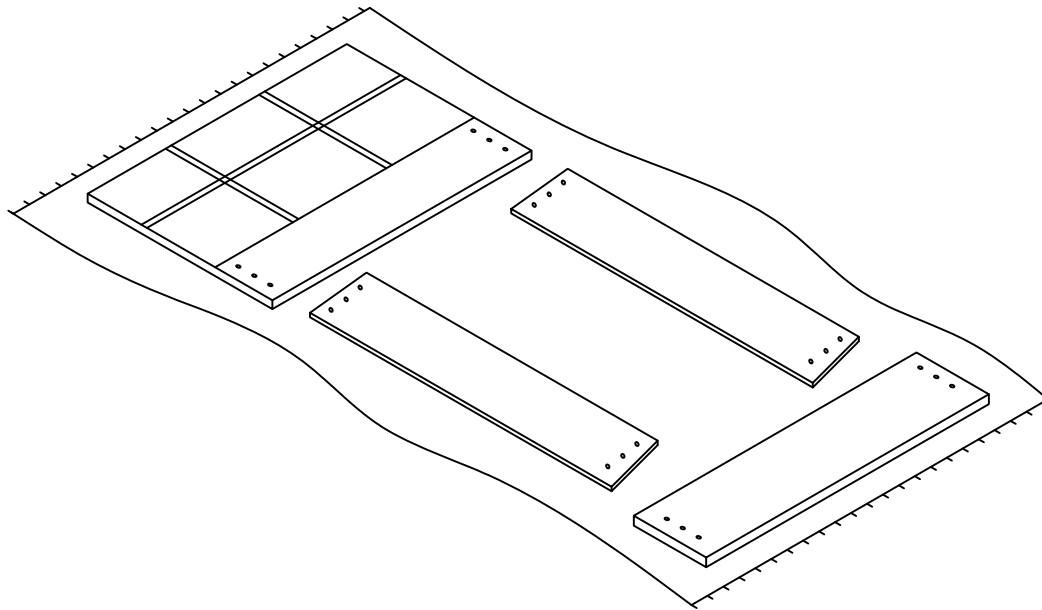
If removing the mattress, make sure the frame is secured so it does not flip open. When lifting the bed frame, remove pillows and covers.

Do not attempt to move the bed whilst the frame is in the upright position.



# END LIFT OTTOMAN BED ASSEMBLY INSTRUCTIONS

**Lay out all 4 sides on a soft surface i.e. Rug, Carpet or Packaging Carton.**





# END LIFT OTTOMAN BED ASSEMBLY INSTRUCTIONS

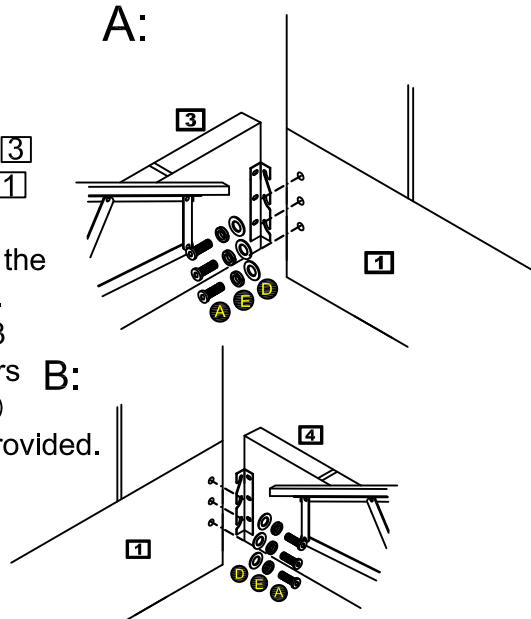
## Step1

Attaching side rails

A: Position left side rail **3** adjacent to headboard **1** so that the holes in the headboard line up with the bracket on the side rail.

Secure in place using 3 bolts **A**, spring washers **B**: **E** and flat washers **D** using the allen key **I** provided.

B: Repeat point A for right side rail **4**.



### Parts Required

- 1** Headboard x 1
- 3** Left side rail x 1
- 4** Right side rail x 1
- A** 25mm M8 Bolt x 6
- E** Spring washer x 6
- D** Flat washer x 6
- I** 5mm Allen key

## Step2

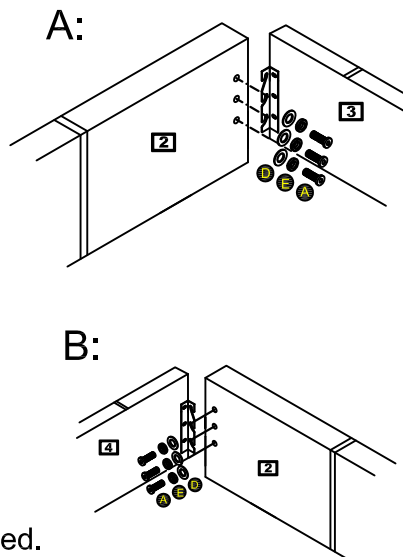
Attaching footboard

A: Place footboard **2** in position at the end of the side rails **3** & **4** so the holes in the footboard line up with the brackets on the side rail.

B: Secure in place using 3 bolts **A**, spring washers **E** and flat washers **D** using the allen key **I** provided.

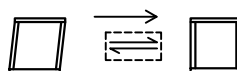
**MAKE CERTAIN THE BED IS SQUARE AS SHOWN.**

Note: THEN tighten all bolts 100% using allen key



### Parts Required

- 2** Footboard x 1
- 3** Left side rail x 1
- 4** Right side rail x 1
- A** 25mm M8 Bolt x 6
- E** Spring washer x 6
- D** Flat washer x 6
- I** 5mm Allen key



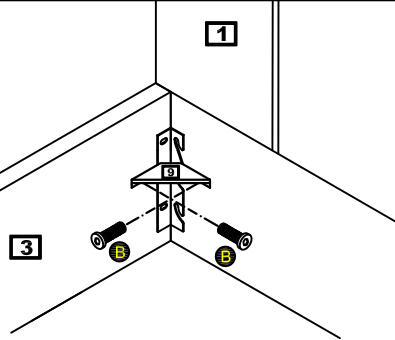
# END LIFT OTTOMAN BED ASSEMBLY INSTRUCTIONS

## Step3

Fix corner brackets

Fix corner bracket **9** in position between the left side rail **3** and headboard **1** using bolt **B**.

Repeat for other 3 corner brackets in each corner of the bed frame.



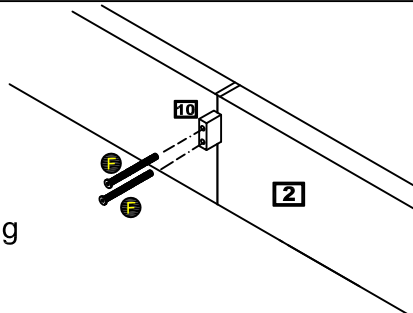
Parts Required

- 1** Headboard x 1
- 3** Left side rail x 1
- 9** Corner brackets x 4
- B** 15mm M6 Bolt x8
- H** 4mm Allen key

## Step4

Fix holding block

Fix holding block **10** onto footboard **2** using bolt **F** and tighten using allen key **H**.



Parts Required

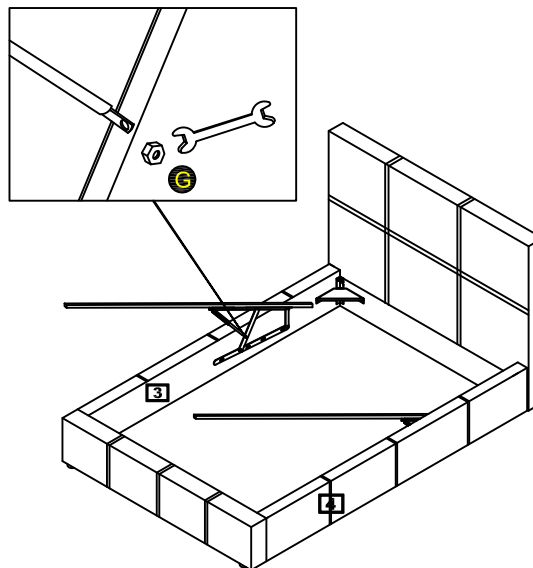
- 2** Footboard x 1
- 10** Holding blocks x 1
- F** 65mm M6 Bolt x2
- H** 4mm Allen key

# END LIFT OTTOMAN BED ASSEMBLY INSTRUCTIONS

## Step 5

### Secure pneumatic arms

Before securing the pneumatic arms, ensure the lifting mechanism is functioning correctly - it should lift up and down freely with adequate clearance on all sides.



### Parts Required

- 3 Left side rail x 1
- 4 Right side rail x 1
- G Nuts x 2
- J Spanner

### Note

secure the pneumatic lifting mechanisms on the side rails 3 & 4 into place by using nuts G as shown.

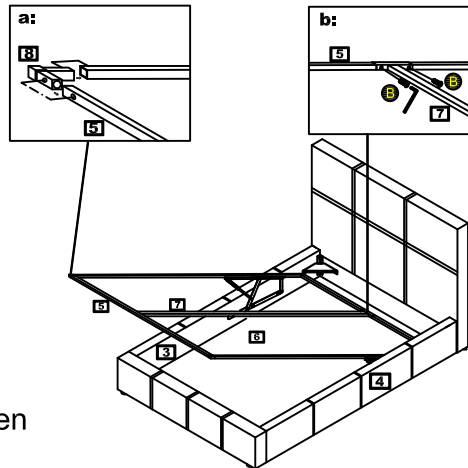
Do not overtighten the nuts.

# END LIFT OTTOMAN BED ASSEMBLY INSTRUCTIONS

## Step6

### Assemble slat frame

A: Fix the front/back frame rails [5] to the side support rails which are already attached to the lifting mechanism with plastic brackets [8]



Repeat on all four corners.

B: Fix centre frame rail [7] to front / back frame rails [5] using bolt [B] and tighten with allen key [H] provided.

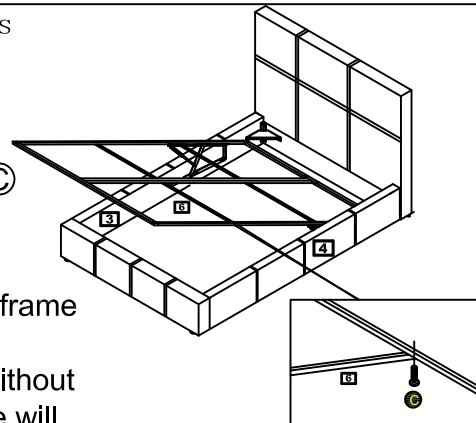
#### Parts Required

- [5] Front / Back frame rail x 2
- [7] Centre frame rail x 1
- [8] Plastic bracket sets x 4
- [B] 15mm M6 Bolt x 4
- [H] 4mm Allen key

## Step7

### Attach the horizontal supports

Fix the horizontal support rails [6] on the bottom of the lifting mechanism rail using bolts [C] with the allen key [H] provided.



**IMPORTANT** - Please ensure the frame poles are fitted according to the illustration exactly. If assembled without following this illustration, the frame will not fit to the bed correctly.

#### Parts Required

- [6] Horizontal frame rail x 2
- [C] 40mm M6 Bolt x 4
- [H] 4mm Allen key

# END LIFT OTTOMAN BED ASSEMBLY INSTRUCTIONS

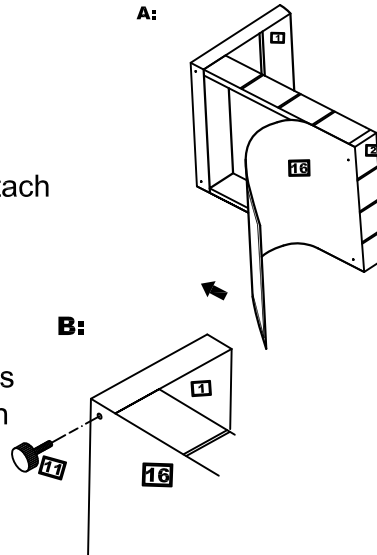
## Step 8

### A: Attach woven fabric

Turn bed on its side and attach woven fabric **16** to base.

### B: Attach adjustable legs

Whilst bed is upside down attach adjustable legs **11** to the base and tighten them.



### Parts Required

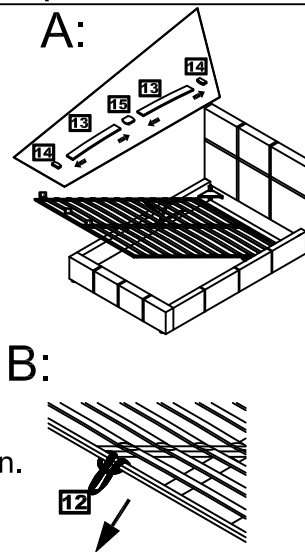
- 11** Adjustable legs x 4
- 16** Woven fabric x 1

## Step 9

A: Attach centre slat caps **15** and side slat caps **14** to each slat **13** as shown.

Attach the slats to the slat frame by firmly pushing into place on the slat frame.

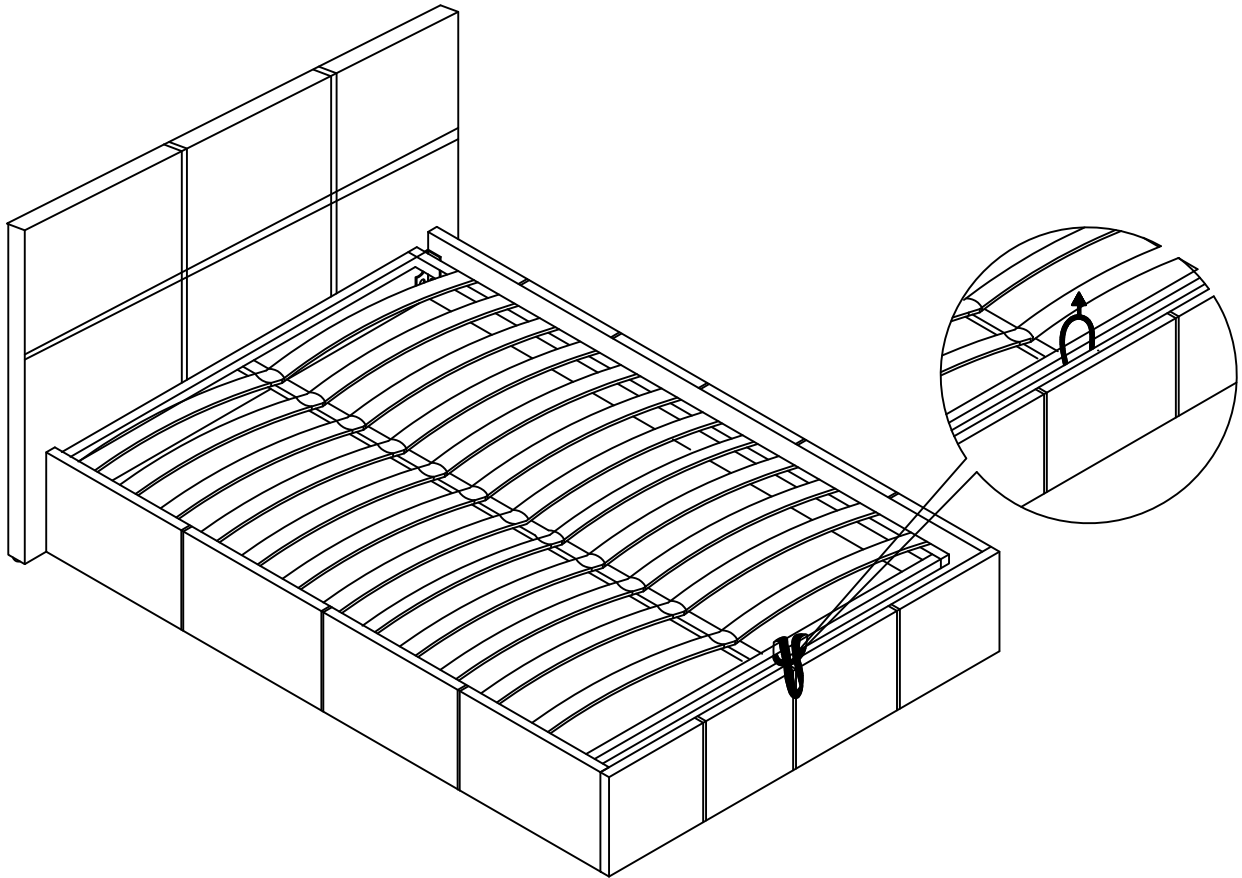
B: Attach belt **12** to the metal frame by loop-on method as shown. pull tight after loop-on.



### Parts Required

- 12** Belt x 1
- 13** Bent slats x 26/30
- 14** Side slat caps x 26/30
- 15** Centre slat caps x 13/15

# END LIFT OTTOMAN BED ASSEMBLY INSTRUCTIONS



Always use 2 hands at arm's length and only where illustrated on this product. You must ensure the mattress is on the bed frame before lifting the mechanism. Failure to do so may result in injury.

If removing the mattress, make sure the frame is secured so it does not flip open.

When lifting the bed frame, remove pillows and covers.

Please ensure that you pull down firmly as the first time may be stiff but this will ease up with use.

To ensure your safety please do not stand too close in case the frame bounces up.

The weight of the mattress loaded on the frame will keep the frame in a lower position until it is pulled upwards by the user.