



Birlea

Suppliers of inspiration

Vendor: S000275



ASSEMBLY INSTRUCTIONS TORONTO GUEST BED

IMPORTANT: READ THESE INSTRUCTIONS CAREFULLY BEFORE ASSEMBLING OR USING YOUR TORONTO GUEST BED FRAME.

PLEASE KEEP THESE INSTRUCTIONS FOR FUTURE REFERENCE.

HEALTH & SAFETY:

DO NOT jump on this bed frame.

DO NOT use this bed frame if any parts are missing, damaged or worn.

DO NOT use this bed frame unless all fixings are secured.

Please keep small parts out of reach of children.

Always use on a level, even surface.

WARNING: If this bed is placed on a non-carpeted floor you must place some protection under all legs to stop the bed frame from moving. If this is not adhered to there is no guarantee if the bed frame collapses.

CARE & MAINTENANCE:

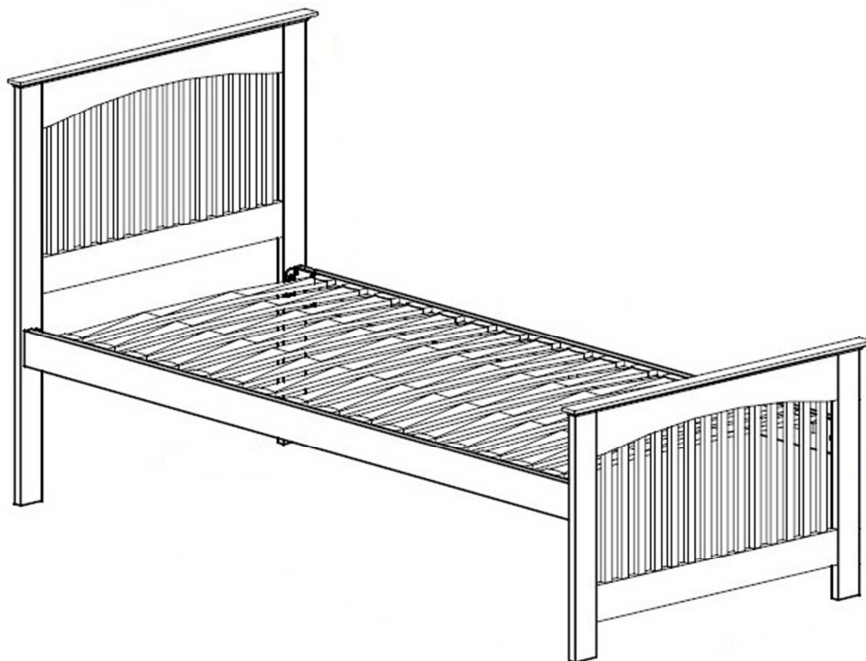
Assemble in the room of use.

Periodically check all screws & fixings to ensure they are secure.

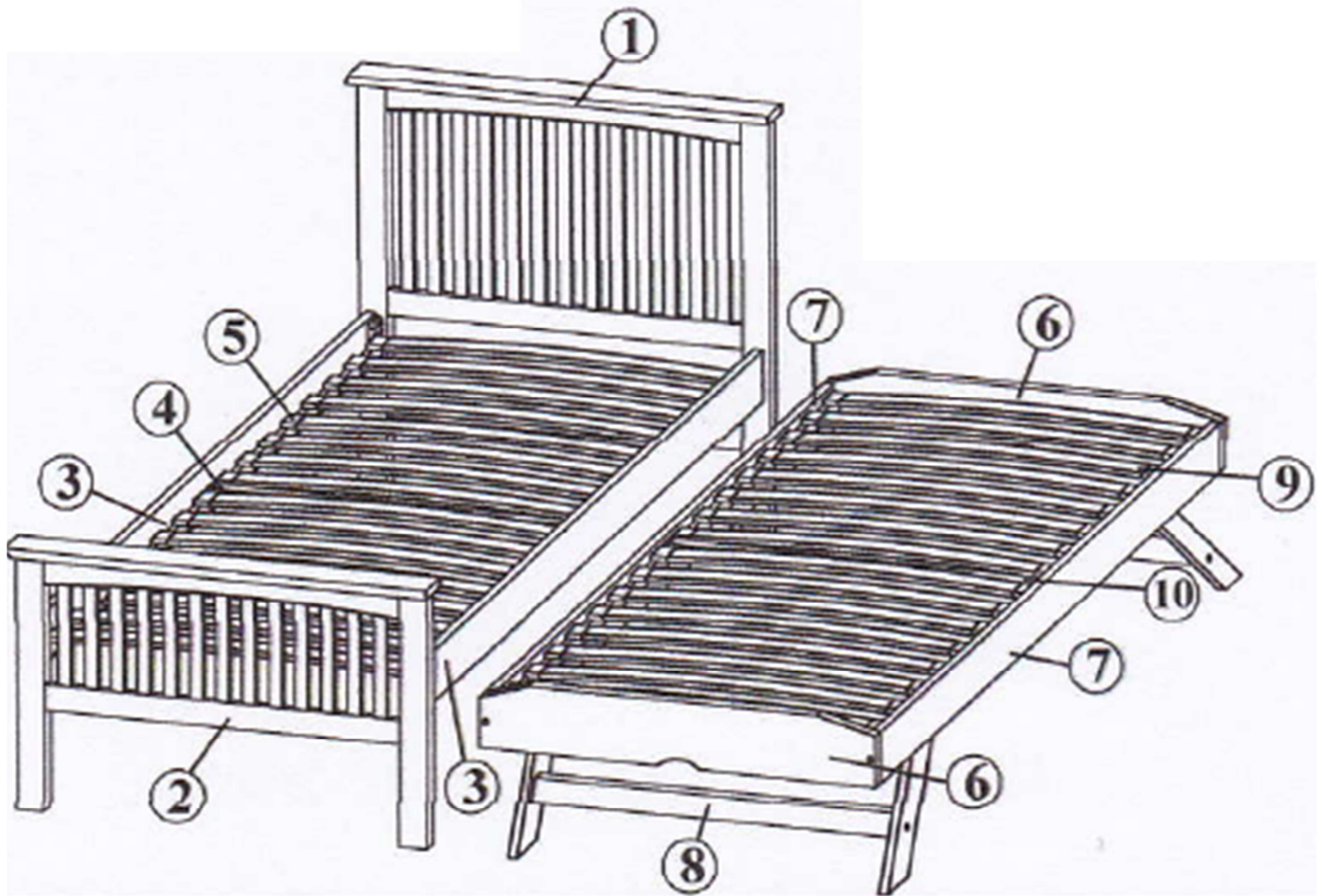
DO NOT push the bed frame as this will damage the legs.






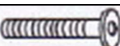







Always lift the bed with two people to reposition.

Keep any sharp objects away from the frame.



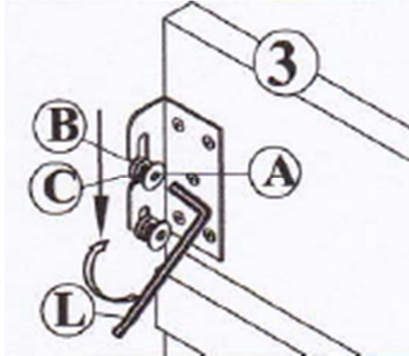
www.birlea.com



Parts List				Hardware List (found in box 2)			
Part	Description	Box	Qty	Part	Description		Qty
Top Frame							
1	Headend	1	1	A	M8 x 20 mm Bolt		8
2	Footend	1	1	B	M8 Flat Washer		8
3	Side Rail	2	2	C	M8 Spring Washer		8
4	Cross Bar	2	1	D	Slat Cap		26
5	Slat	3	13	E	M4 x 32 mm CSK Screw		2
Trundle							
6	Trundle Endboard	2	2	F	M6 x 60 mm Bolt		8
7	Trundle Side Rail	2	2	G	M10 x 35 mm Wooden Dowel		12
8	Trundle Leg Bar	2	2	H	Castor Wheel		4
9	Trundle Slat	3	13	I	M6 Barrel Nut		8
10	Cross Bar	2	1	J	Slat Cap		26
**You will need a screwdriver (not provided)				K	M4 Allen Key		1
				L	M5 Allen Key		1
				M	M4 x 32 mm CSK Screw		2

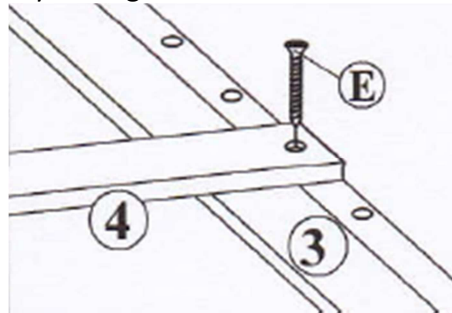
Step 1: Attach the side rails (3) to the headend (1) and footend (2) using hardware parts A, B and C - do not fully tighten. Place the side rail brackets over the bolts as shown. When the bolt ends are attached, tighten securely using hardware part L, repeating for both sides.

DO NOT use any power tools as this may damage the frame and will invalidate any claim.



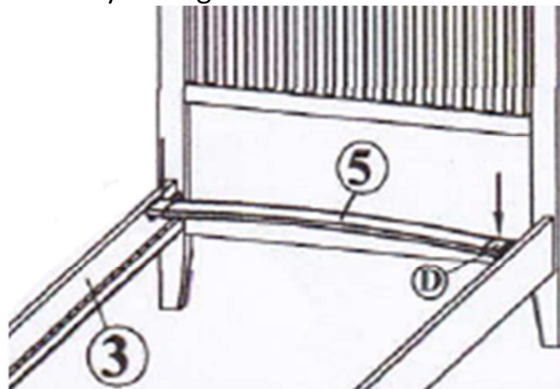
Step 2: Attach the cross bar (4) to the side rails (3) using hardware part E and fully tighten using a screwdriver (not provided).

DO NOT use any power tools as this may damage the frame and will invalidate any claim.



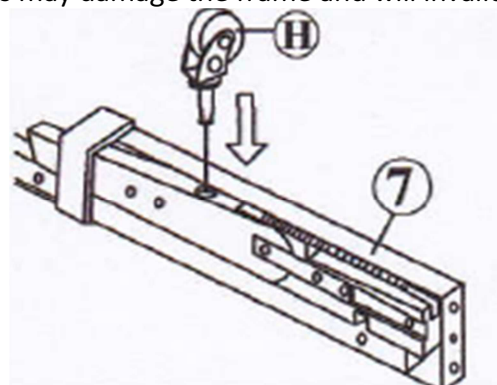
Step 3: Place hardware part D onto the slats (5) and press into the side rails (3).

DO NOT use any power tools as this may damage the frame and will invalidate any claim.

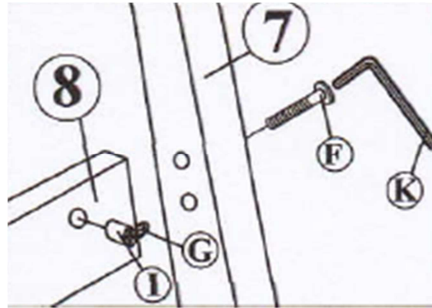


Step 4: Push hardware part H firmly into the holes on the trundle side rails (7). **CAUTION:** when the leg ties are cut, the legs spring back.

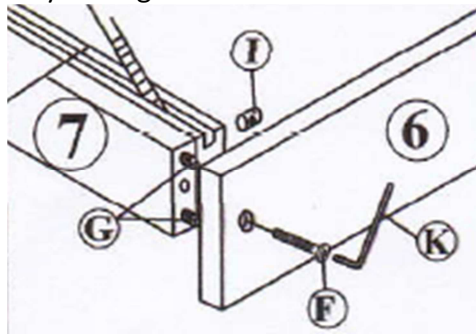
DO NOT use any power tools as this may damage the frame and will invalidate any claim.



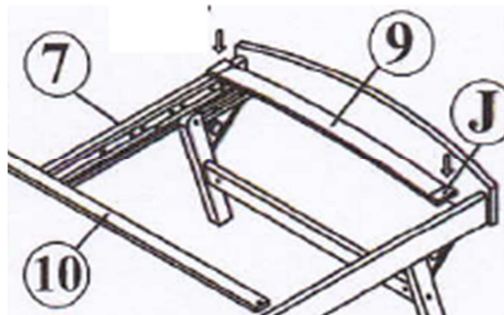
Step 5: Attach the leg bars (8) to the side rails (7) using hardware parts F, G, I and K.
DO NOT use any power tools as this may damage the frame and will invalidate any claim.



Step 6: Insert hardware part G into the holes in the side rails (7) until fully inserted then attach the end boards (6) to the side rails (7) using hardware parts F, I and K.
DO NOT use any power tools as this may damage the frame and will invalidate any claim.



Step 7: Place hardware part J onto the slats (9) and press firmly into place on the side rails (7).
DO NOT use any power tools as this may damage the frame and will invalidate any claim.



Additional Information:

- For complete product information, images and dimension diagrams please visit the website www.birlea.com
- If you have any issues with your item please contact the retailer directly you purchased it from who will be able to resolve any issues with Birlea.
- Why don't you send us photos of your assembled furniture to info@birlea.com to be shared in our #birleahome feature on Instagram.