

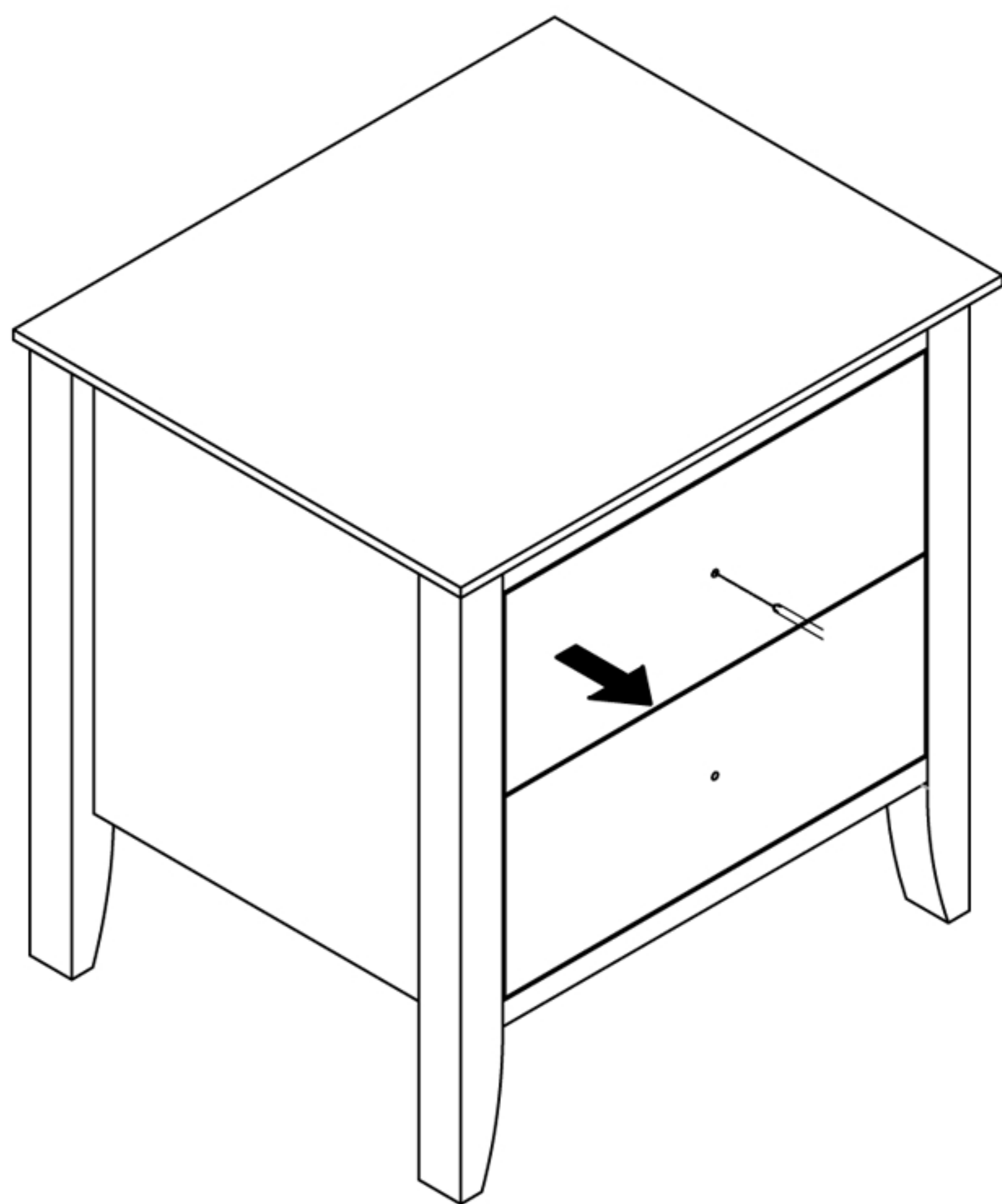
WINDSOR 2 DRAWER BEDSIDE TABLE: ASSEMBLY INSTRUCTIONS

Thank you for purchasing this quality product. Kindly check all packaging material for any fittings / instructions before disposing.

Tools Required :
1 x Cross headed screw driver

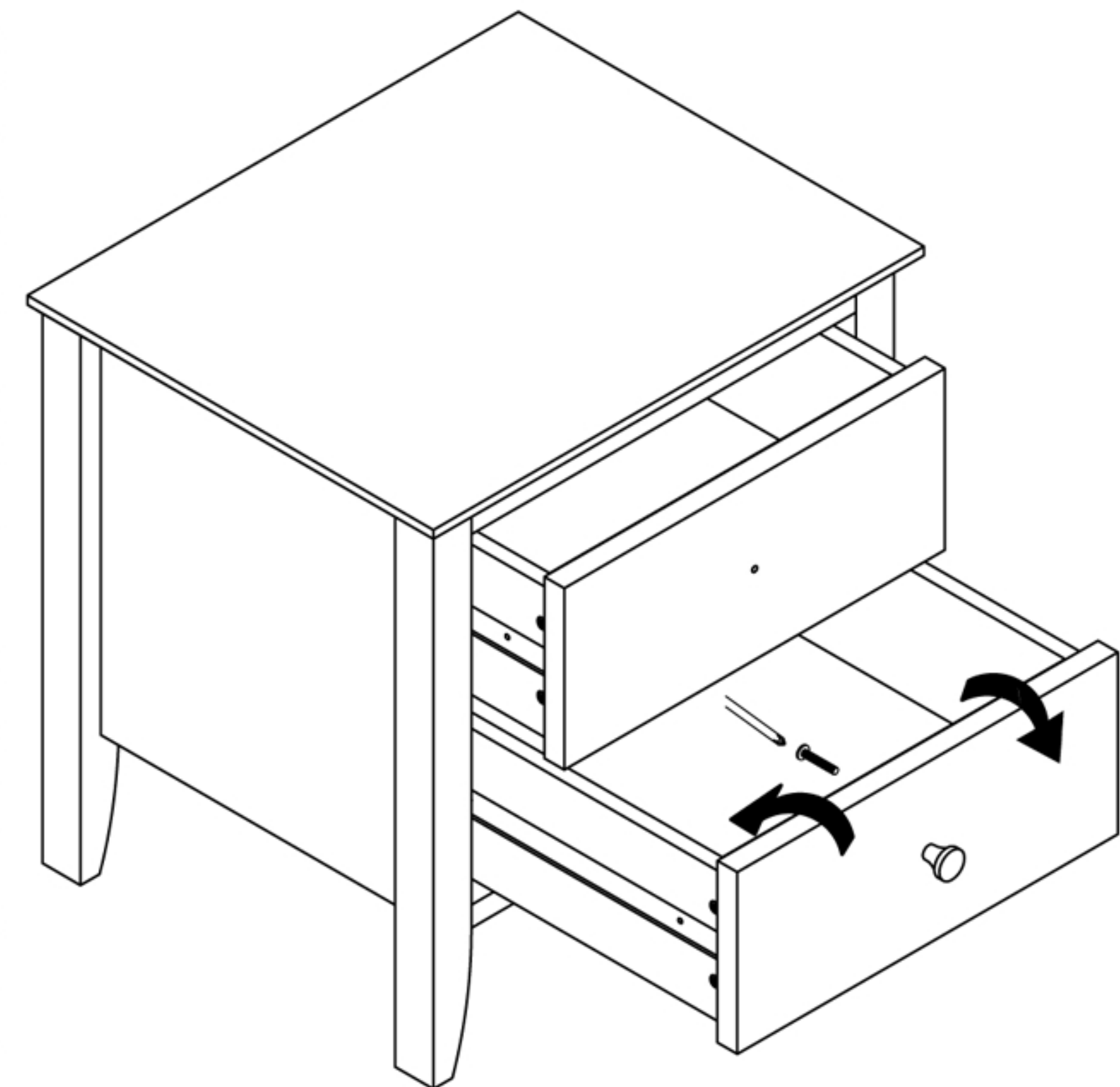
Serene
FURNISHINGS

STEP 1

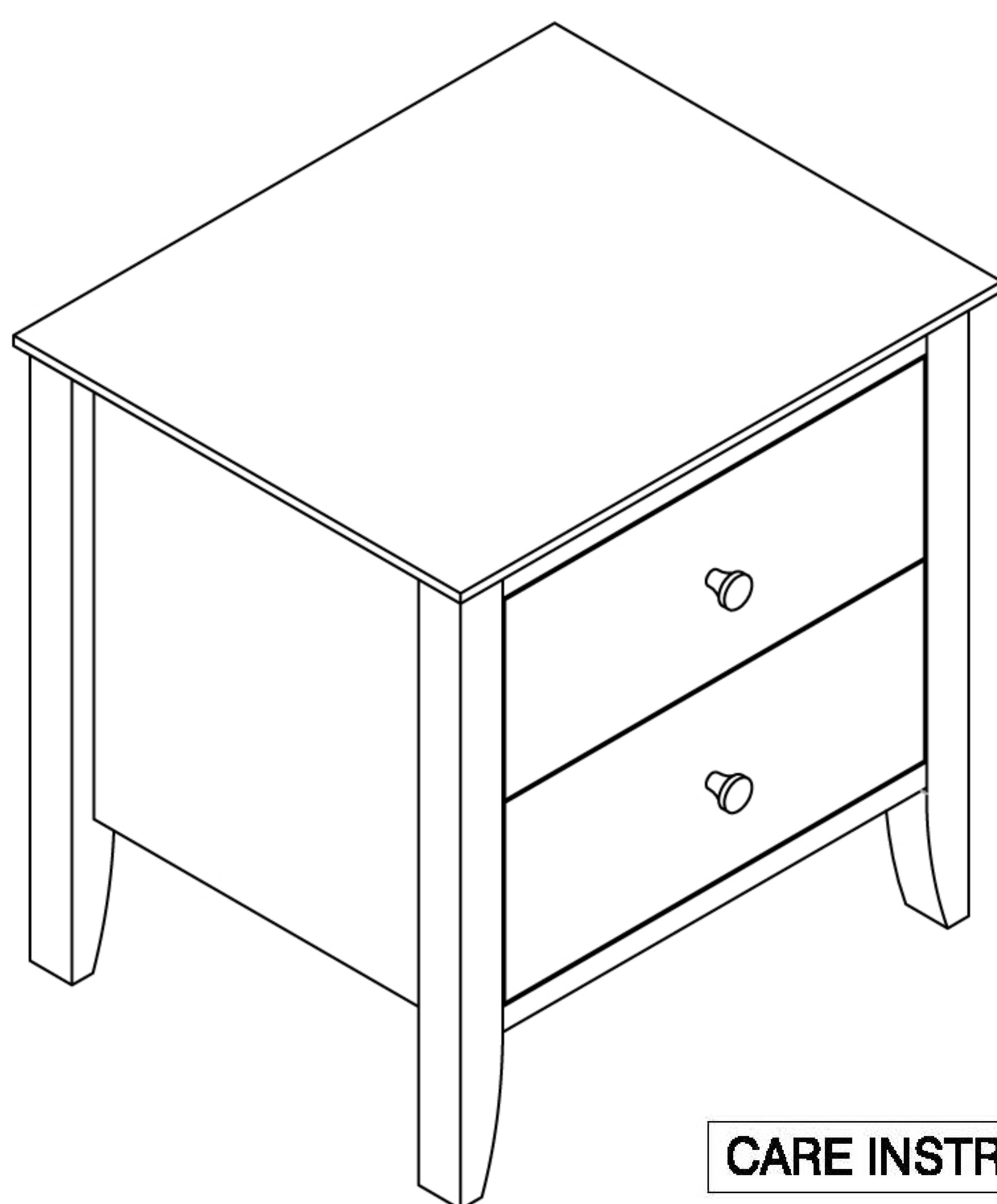


Slide out drawers and unscrew the screw on the front of the drawer which will release the drawer knob fitted on the inside to protect whilst in transit.

STEP 2



Fit the handle to the front of the drawer panels; as shown above.



CARE INSTRUCTIONS

- Wipe clean using a soft damp cloth followed by a dry cloth.
- Do not use abrasives or cleaning products which may contain ammonia or solvents.
- Take care when handling or moving the furniture. Careless handling can damage furniture, try to lift rather than drag.