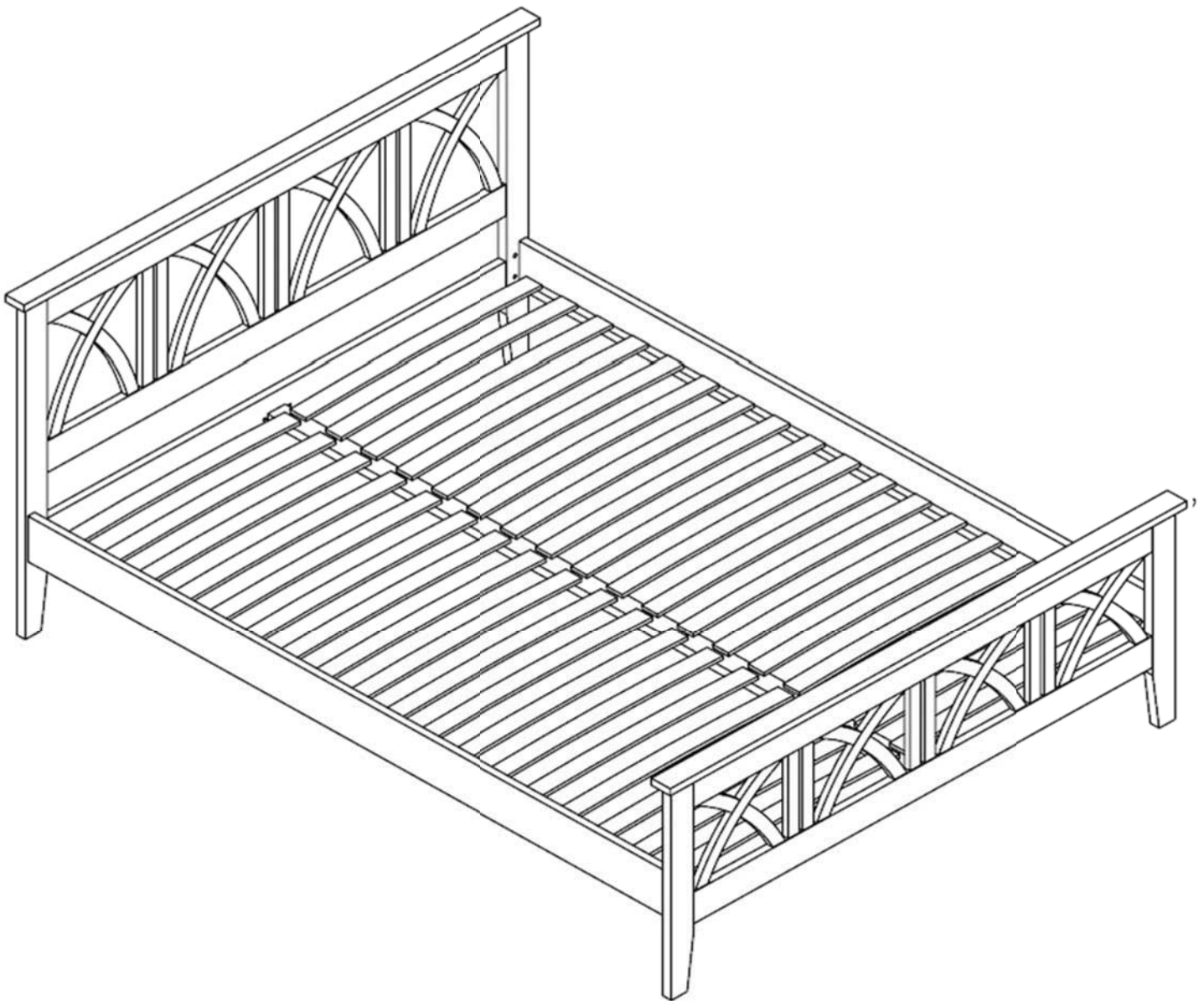


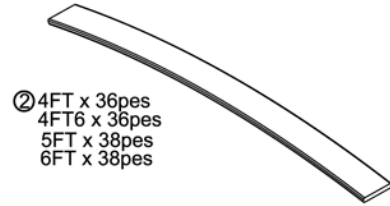
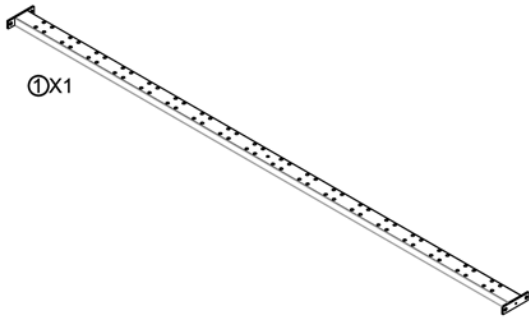
Maiden

Serene
FURNISHINGS

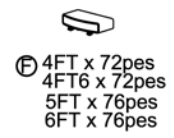
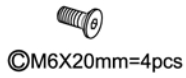
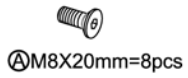


- o Wipe clean using a soft damp cloth followed by a dry cloth.
- o Do not use abrasives or cleaning products which may contain ammonia or solvents.
- o Take care when handling or moving the furniture. Careless handling can damage wooden furniture, try to lift rather than drag.
- o 5mm gaps should be set-up between the base of the centre support legs and the floor.

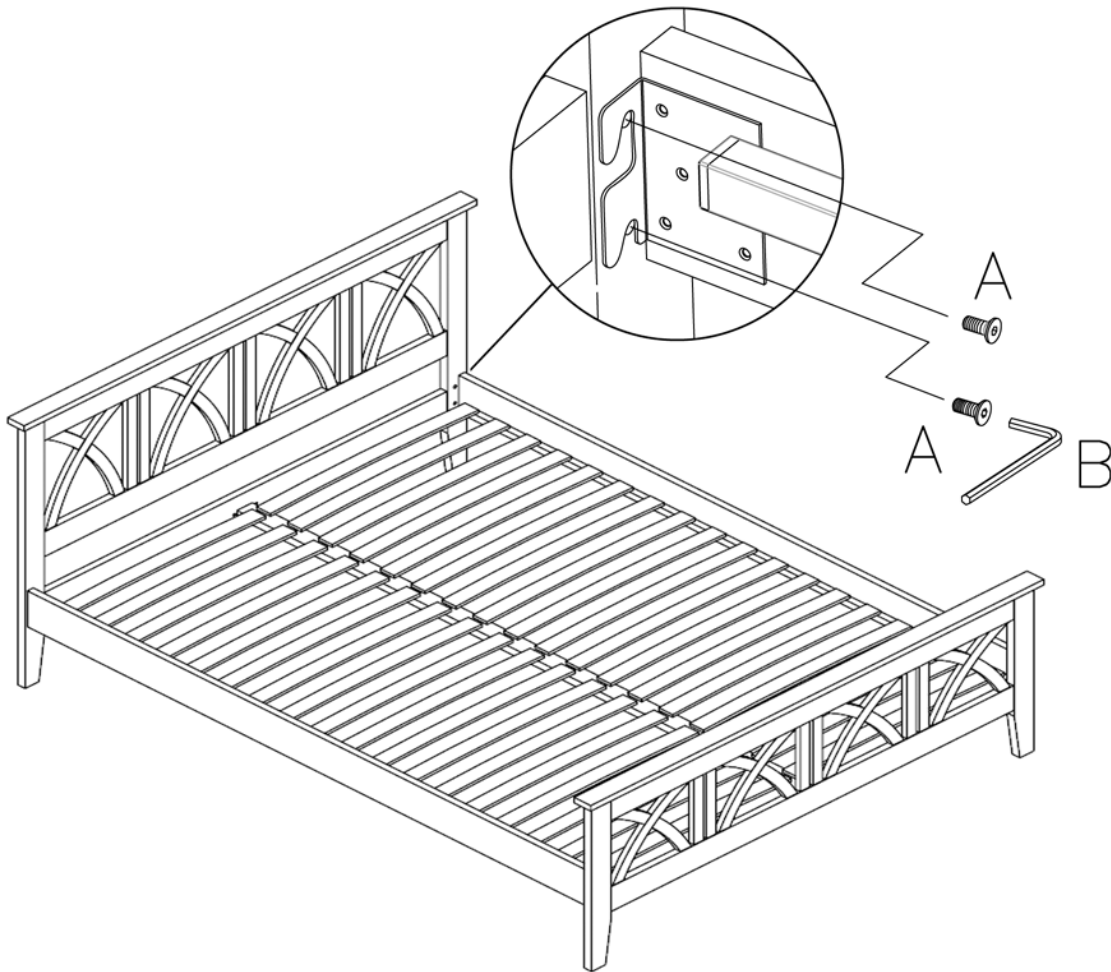
PARTS LIST



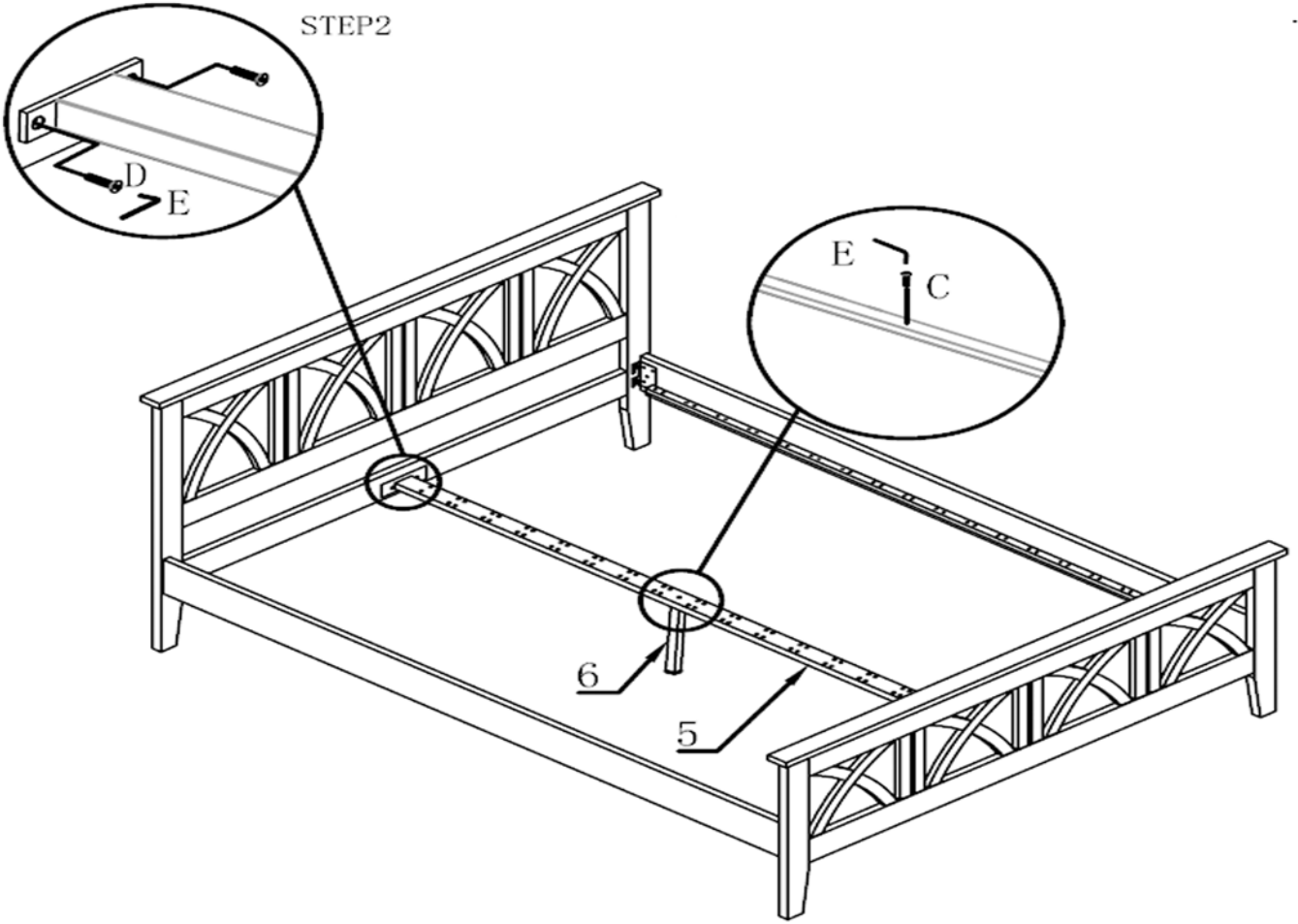
HARDWARE LIST



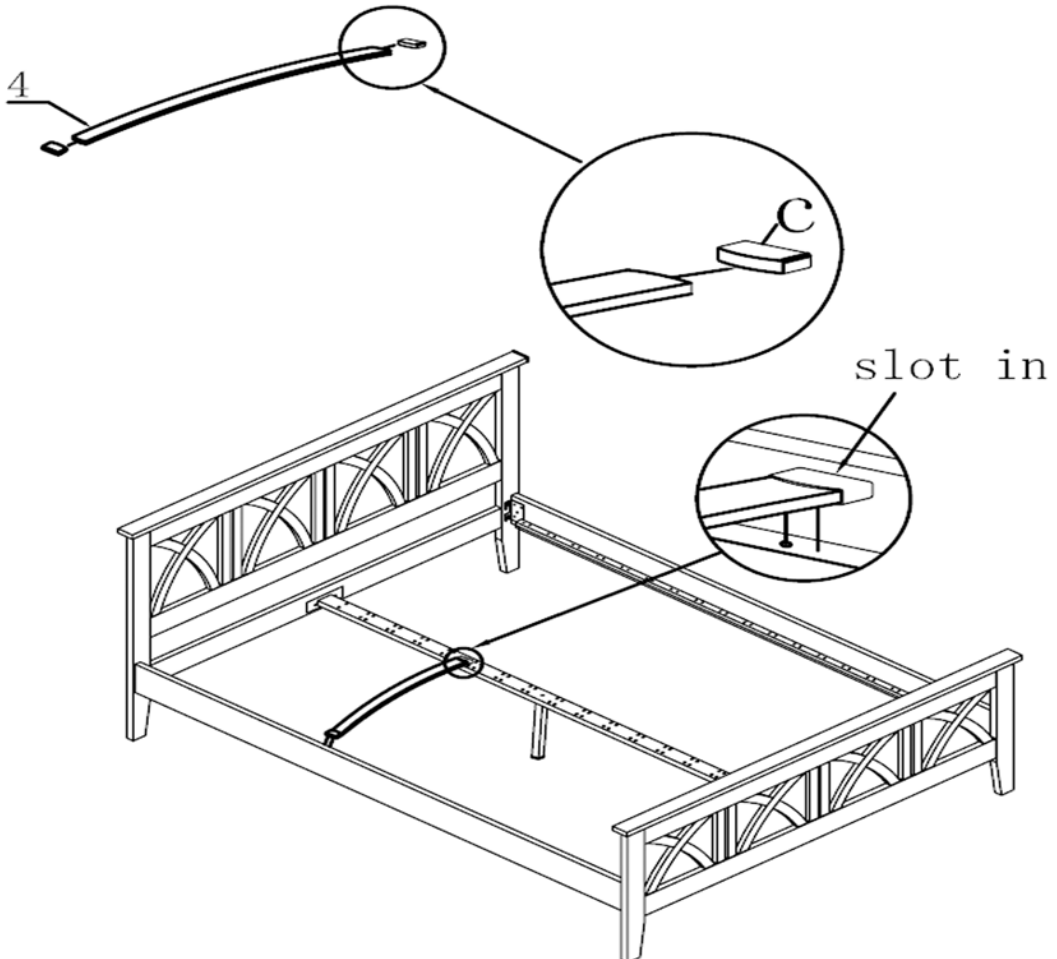
STEP 1



STEP2



STEP3



STEP 4

