

# PANACHE CRYSTAL METAL BED ASSEMBLY INSTRUCTIONS

Thank you for purchasing PANACHE CRYSTAL METAL BED. Please read the instructions carefully to ensure safe operation of the product.



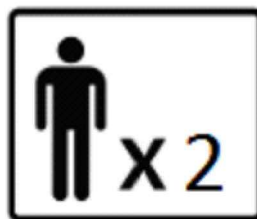
Size: 4'6" 2010x1460x1075/850  
5' 2110x1590x1075/850  
Colour: WHITE/BLACK

**PLEASE READ** this sheet prior to assembly to familiarise yourself with the various stages of construction.

Carefully open the pack supplied and check the contents against the parts and fittings check list. Do not destroy any of the packaging until you are certain that you have all the necessary parts for the assembly.

**CAUTION:** There are small components used in the construction of this unit. These loose items should be kept away from young children whilst assembling your unit to avoid the danger of choking hazards.

## Tools Required



**45MIN**  
Set Up

# PANACHE CRYSTAL METAL BED ASSEMBLY INSTRUCTIONS

IMPORTANT—READ CAREFULLY—RETAIN THESE INSTRUCTION FOR FUTURE REFERENCE.

## INFORMATION

- This product is intended for a maximum person's weight of 130kg per side. Do not exceed this weight.
- Incorrect installation could lead to injury, take care following instructions.
- Due to the size of this product we recommend that it is assembled in the room intended for use.
- When you are ready to start ,make sure that you have the right tools, plenty of space and a clean, dry area for assembly.
- Unwrap all packaging materials and place the components on top of the carton box or on a clean floor to prevent it from scratching.
- Check the pack and make sure you have all the parts listed.
- Ensure that this product is fully assembled and secured as illustrated before use.
- Check all screws or bolts are tightened and inspect regularly.
- This product should only be used on firm, level ground.
- Dismantle for transportation.
- Only use recommended accessories.
- Tools are included.

## WARNINGS

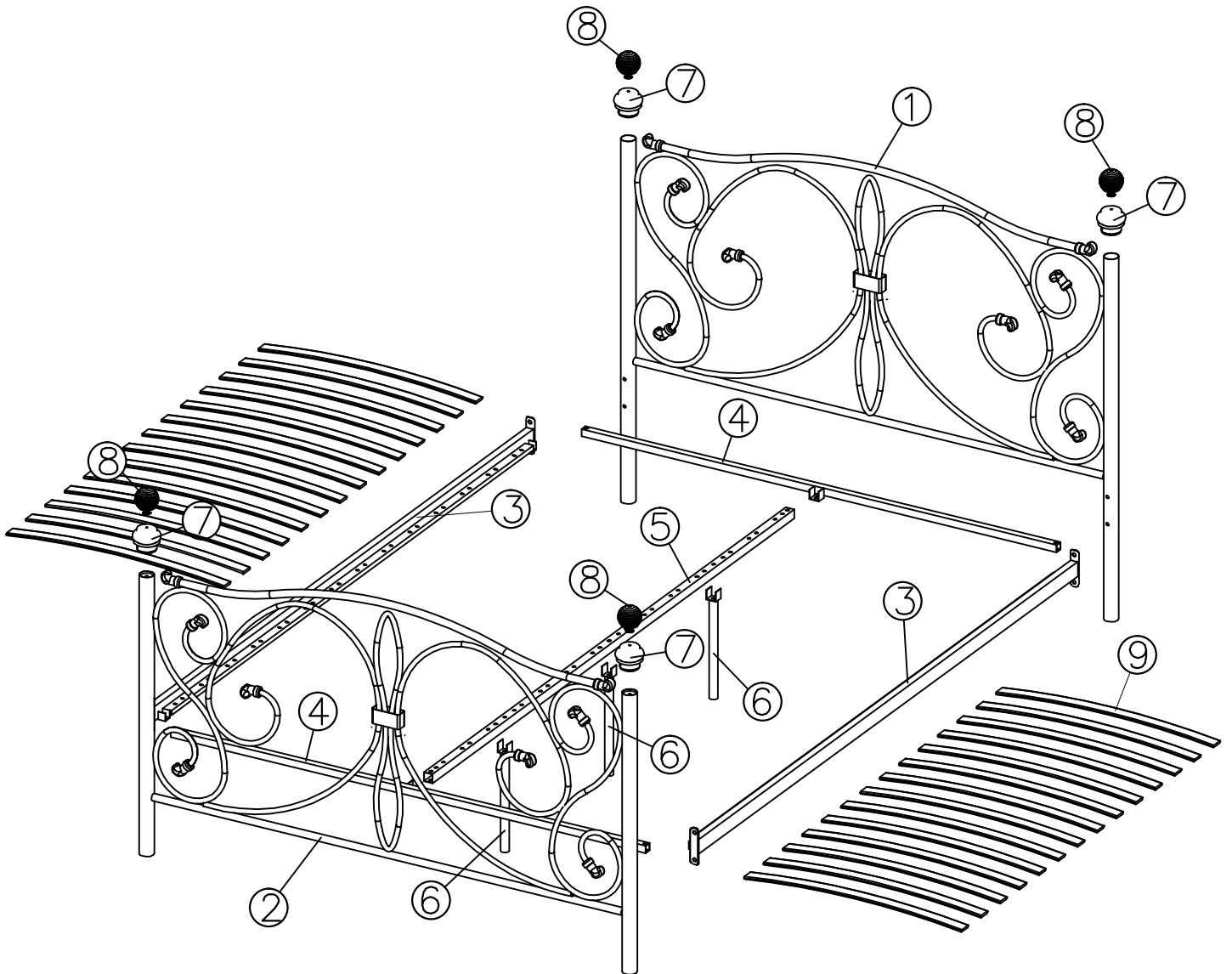
- Do make sure the legs remain in contact with the ground.
- Do keep small parts out of reach of children.
- DO NOT use power tools to construct this product.
- DO NOT tighten screws until fully assembled.
- DO NOT over tighten screws or bolts.
- DO NOT use this product if parts are missing, damaged or worn.
- DO NOT stand on the product.

## CARE INFORMATION

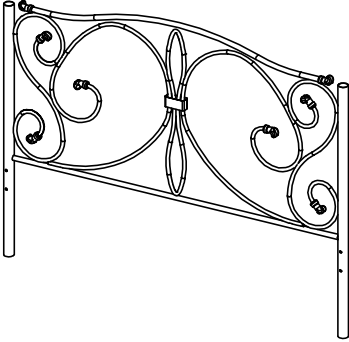
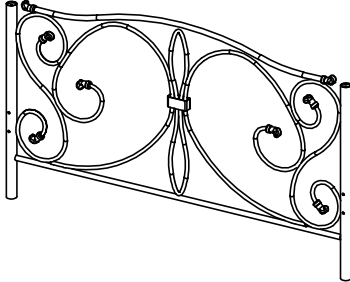
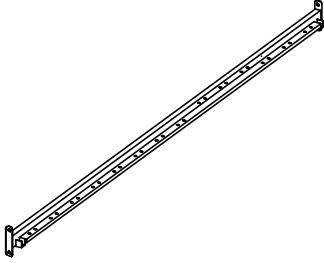
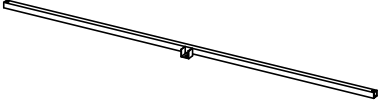
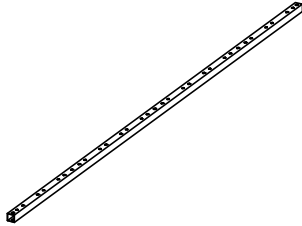



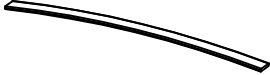
- Never use scourers, abrasives or chemical cleaners.
- To clean wipe with a sponge and warm soapy water. Do not use solvent based cleaners or detergents as they can bleach or damage the product.

# PANACHE CRYSTAL METAL BED ASSEMBLY INSTRUCTIONS

Please check the pack contents before assembling the product. If any components are missing, please contact your retailer. The fittings pack contains small items that should be kept away from small children.



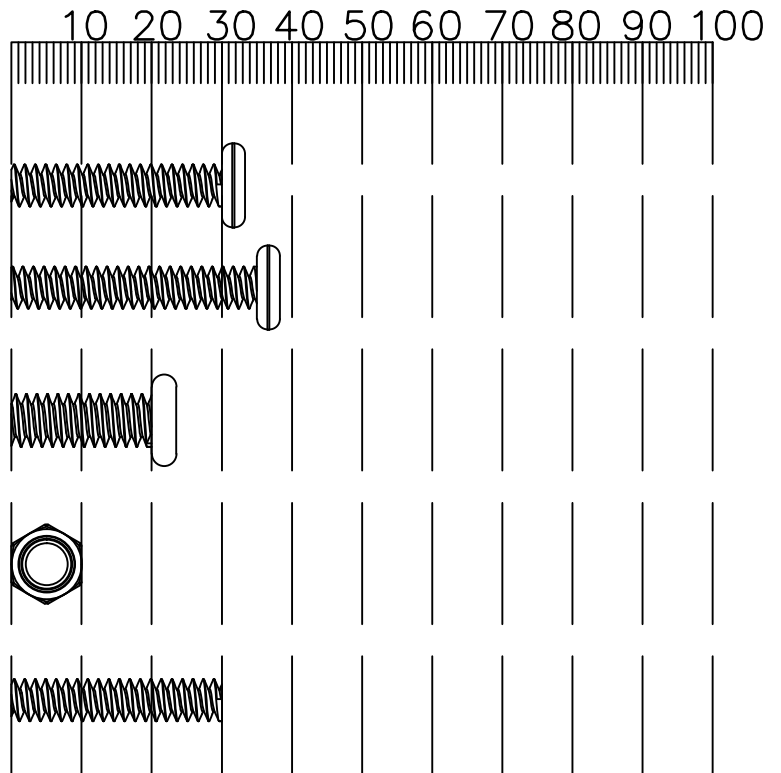
# PANACHE CRYSTAL METAL BED ASSEMBLY INSTRUCTIONS

<p>1</p> 	<p>2</p> 	<p>3</p> 
<p>HEADBOARD 1 PC Carton No:1/2</p>	<p>FOOTBOARD 1 PC Carton No:1/2</p>	<p>SIDERAIL 2 PC Carton No:2/2</p>
<p>4</p> 	<p>5</p> 	<p>6</p> 
<p>CROSS RAIL 2 PC Carton No:1/2</p>	<p>CENTRE SUPPORT RAIL 1 PC Carton No:2/2</p>	<p>CENTRE SUPPORT LEG 3 PC Carton No:1/2</p>
<p>7</p> 	<p>8</p> 	<p>9</p> 
<p>FINIAL HOLDER 4 PC Carton No:1/2</p>	<p>FINIAL 4 PC Carton No:1/2</p>	<p>BENT SLATS 28 PC Carton No:1/2</p>

# PANACHE CRYSTAL METAL BED ASSEMBLY INSTRUCTIONS

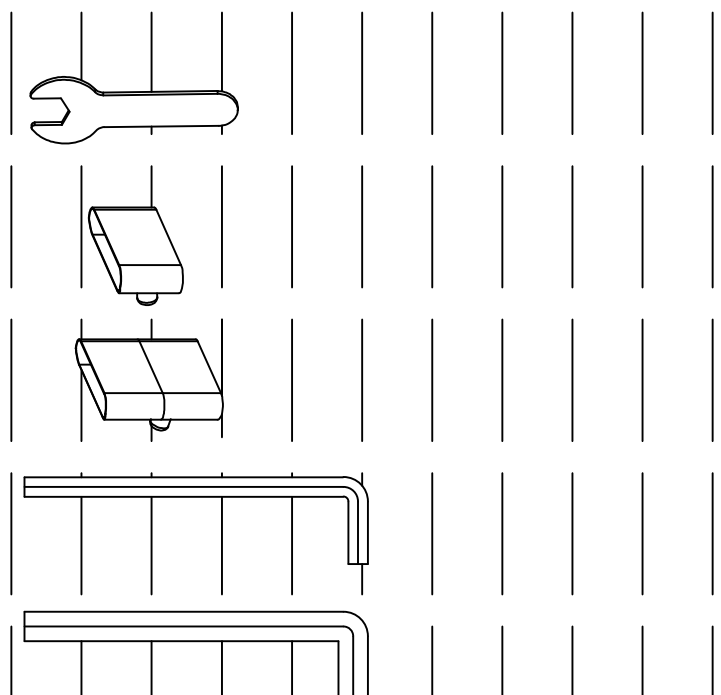
Fixings(to scale)

Ref	Dimensions	Qty
A	Bolt–M6X30	4
B	Bolt–M6X35	5
C	Bolt–M8X20	8
D	Nut–M6X6	6
E	Bolt–M6X30	4



(Not to scale)

F	Spanner	1
G	Single Plastic Cap	28
H	Double Plastic Cap	14
I	Allen Key M6	1
J	Allen Key M8	1



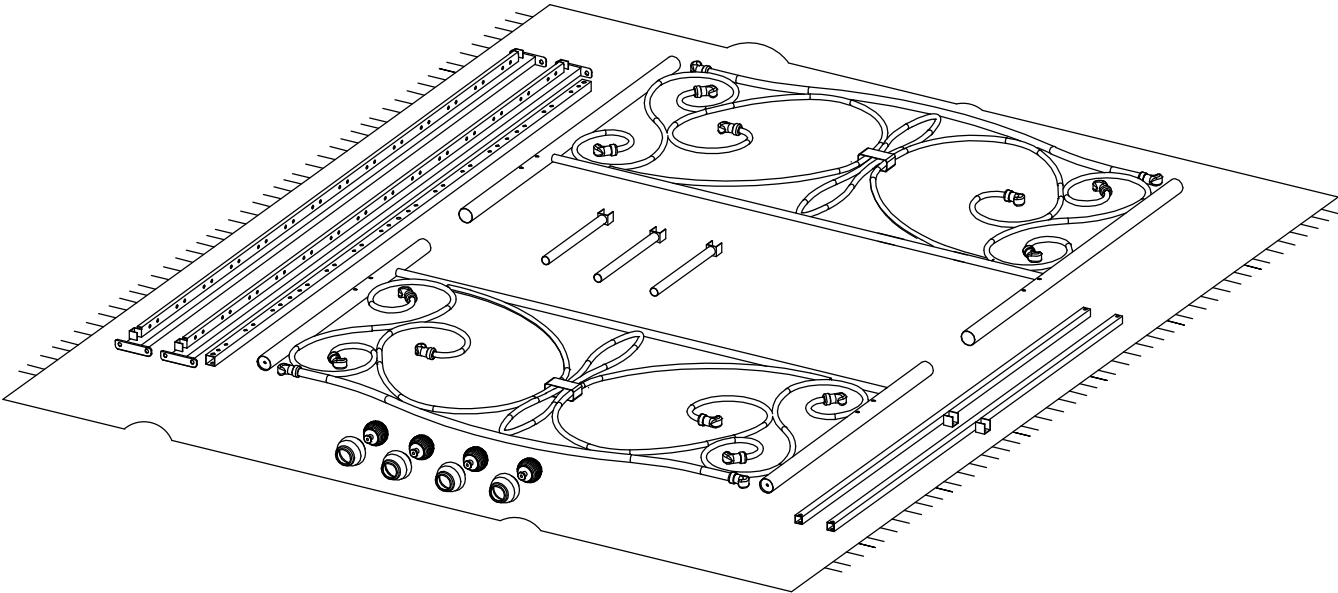
**CAUTION:** There are many small components used in the construction of this product. Please keep these components away from young children whilst assembling this product.

If you keep the fittings in a bowl during assembly you will be less likely to lose them!

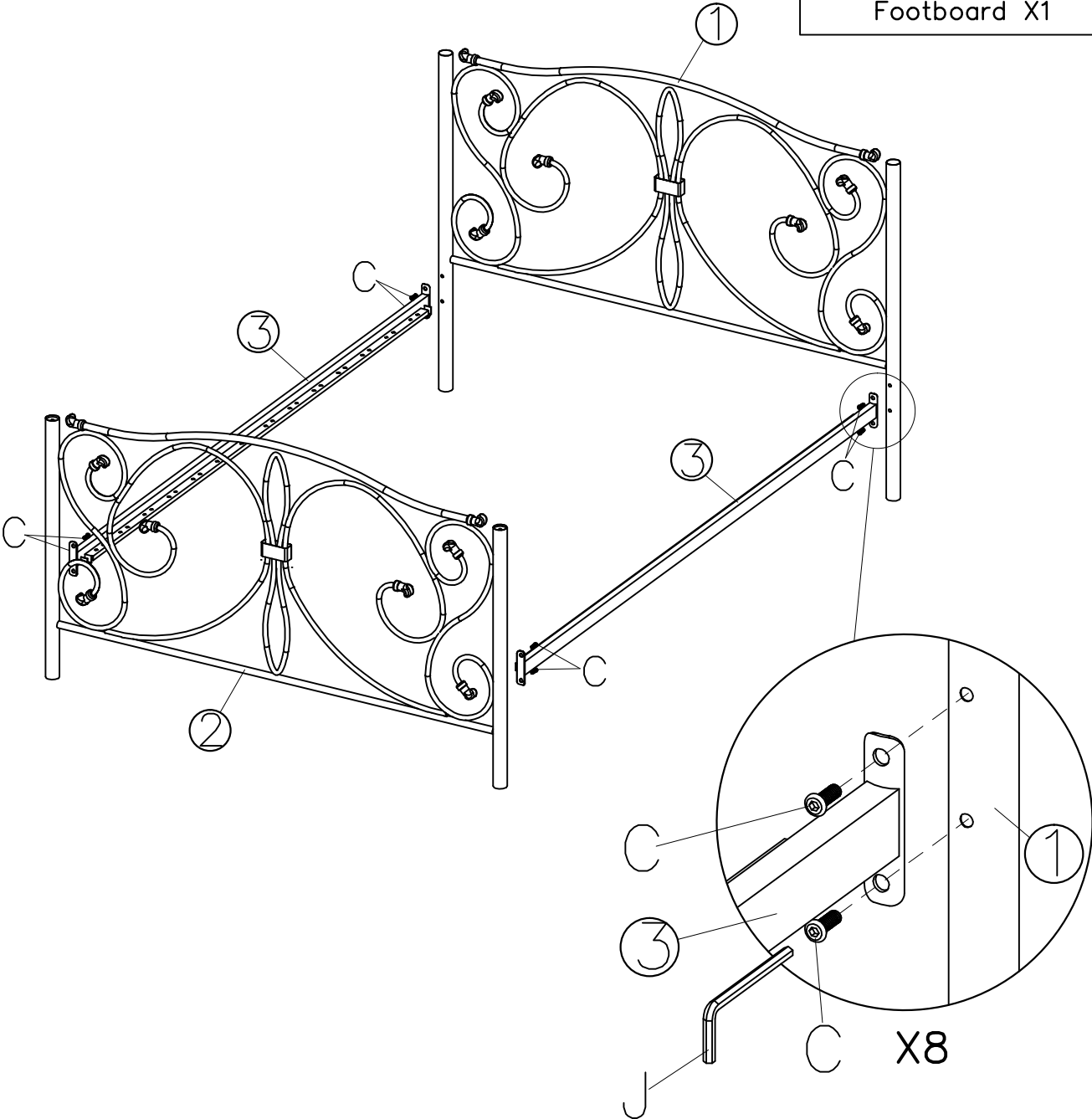
# PANACHE CRYSTAL METAL BED ASSEMBLY INSTRUCTIONS

## Layout Parts on Soft Surface

Lay out all 4 sides on a soft surface i.e.Rug, Carpet or Packaging Carton.



# PANACHE CRYSTAL METAL BED ASSEMBLY INSTRUCTIONS

STEP 1	Parts Required
 <p>The diagram illustrates the assembly of the siderails. Two siderails (3) are shown being attached to the headboard (1) and footboard (2). The siderails are connected to the headboard and footboard using bolts (C) and Allen keys (J). A circular inset provides a magnified view of the bolt connection between the siderail and the headboard/footboard. The inset shows the siderail (3) being inserted into a slot in the headboard (1) and secured with a bolt (C) and an Allen key (J). The text 'X8' indicates that this assembly is repeated for eight locations.</p>	Allen Key M8 X1
	Bolt-M8X20 X8
	Siderail X2
	Headboard X1
	Footboard X1

# PANACHE CRYSTAL METAL BED ASSEMBLY INSTRUCTIONS

STEP 2

Parts Required

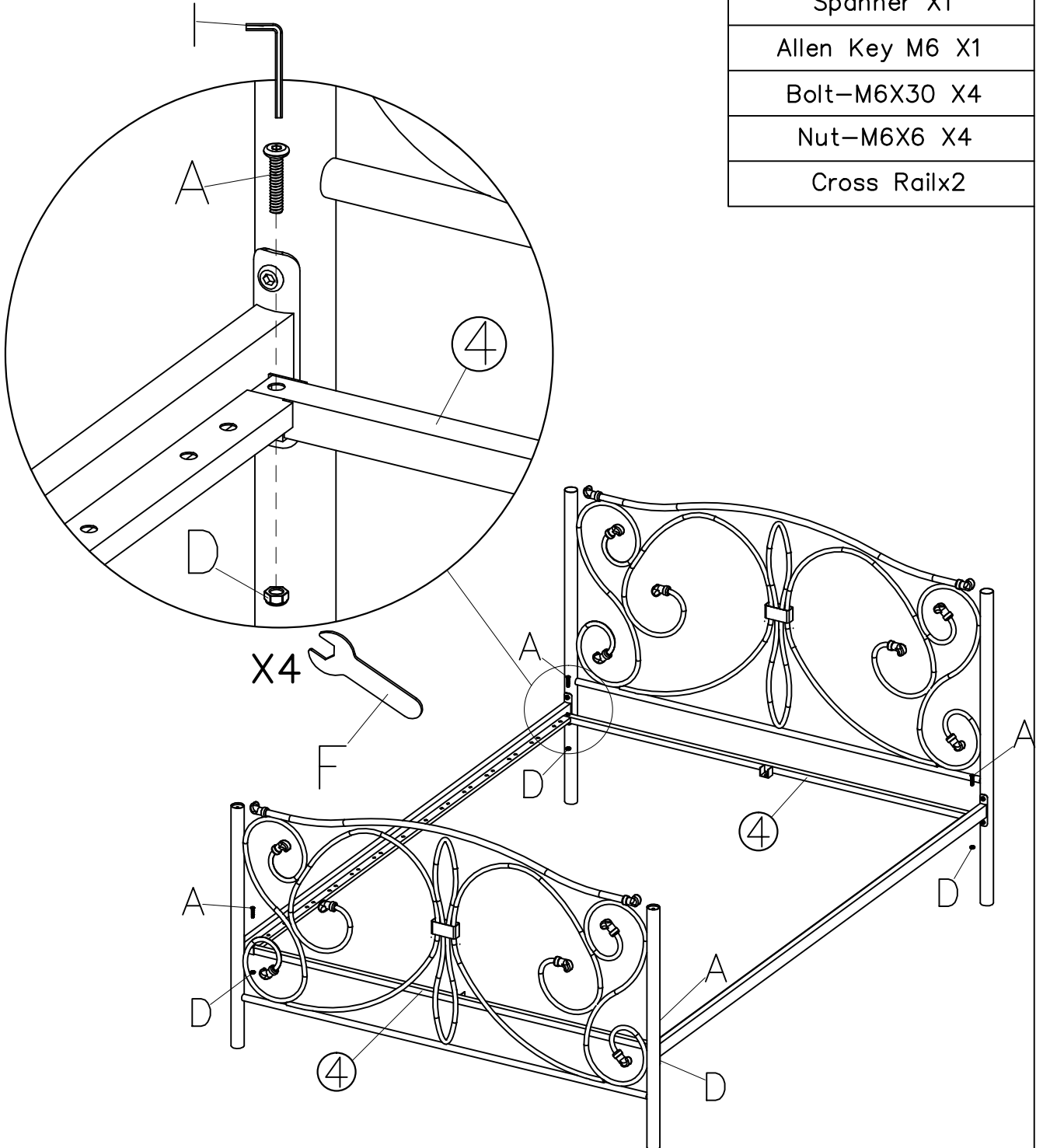
Spanner X1

Allen Key M6 X1

Bolt-M6X30 X4

Nut-M6X6 X4

Cross Railx2





# PANACHE CRYSTAL METAL BED ASSEMBLY INSTRUCTIONS

STEP 3	Parts Required
	Spanner X1
	Allen Key M6 X1
	Bolt-M6X35 X5
	Nut-M6X6 X2
	Centre Support Rail X1
	Centre Support Leg X3

The diagram illustrates the assembly of the center support rail and legs. The main view shows the bed frame with the center support rail (B) being attached to the side rails (A) and the center support legs (C). The callouts provide detailed views of the bolt (5) and nut (6) connections. Callout X3 shows the bolt (5) being inserted into the rail (B) and secured with a nut (6). Callout X2 shows the bolt (5) being inserted into the rail (B) and secured with a nut (6) using a spanner (F). Labels A, B, C, D, and E indicate various components and connection points on the bed frame.

# PANACHE CRYSTAL METAL BED ASSEMBLY INSTRUCTIONS

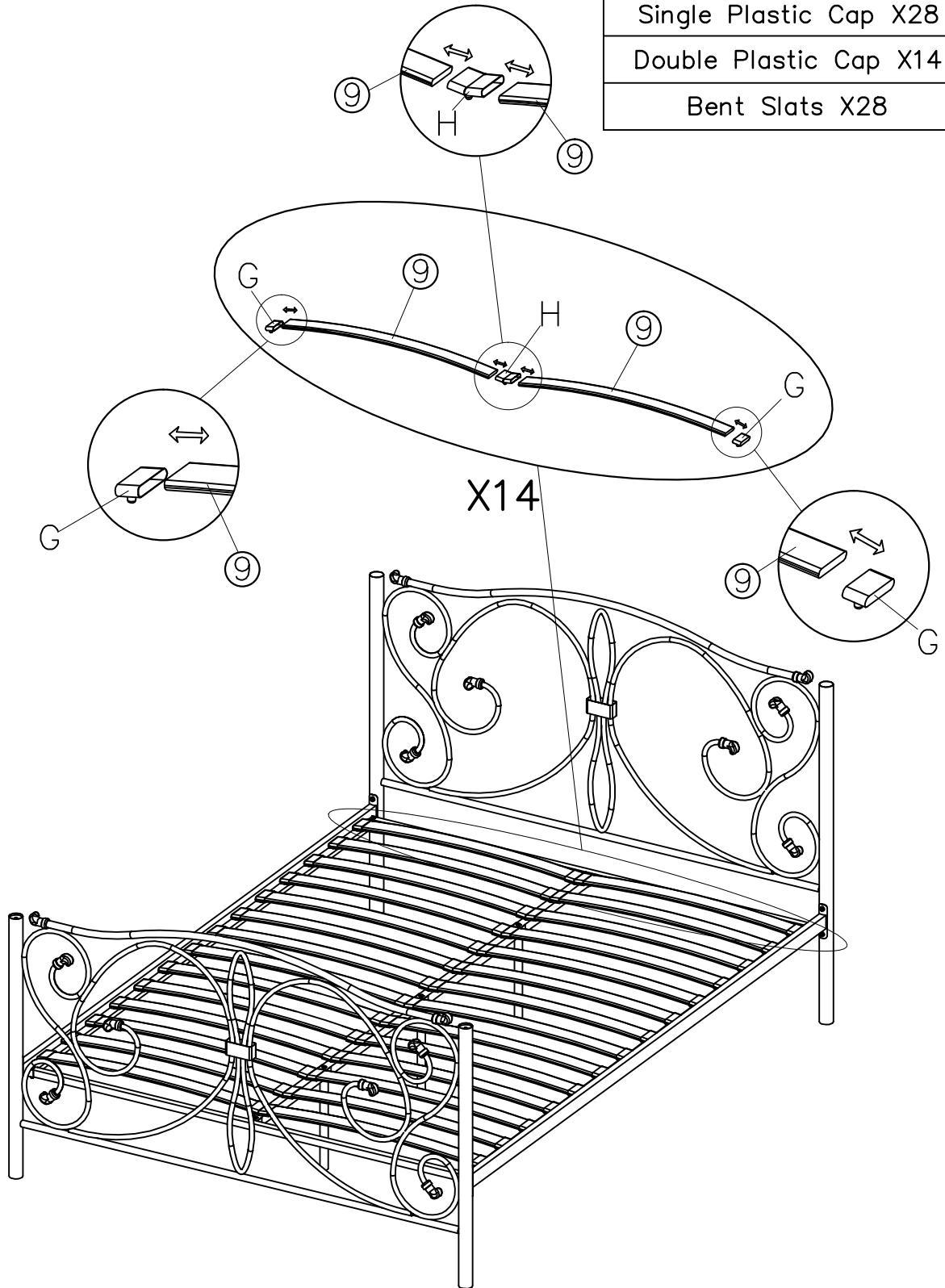
STEP 4

Parts Required

Single Plastic Cap X28

Double Plastic Cap X14

Bent Slats X28



# PANACHE CRYSTAL METAL BED ASSEMBLY INSTRUCTIONS

STEP 5	Parts Required
	Bolt-M6X30 X4
	Finial Holder X4
	Finial X4

X4

E

8

8

7

8

7

8

7

8

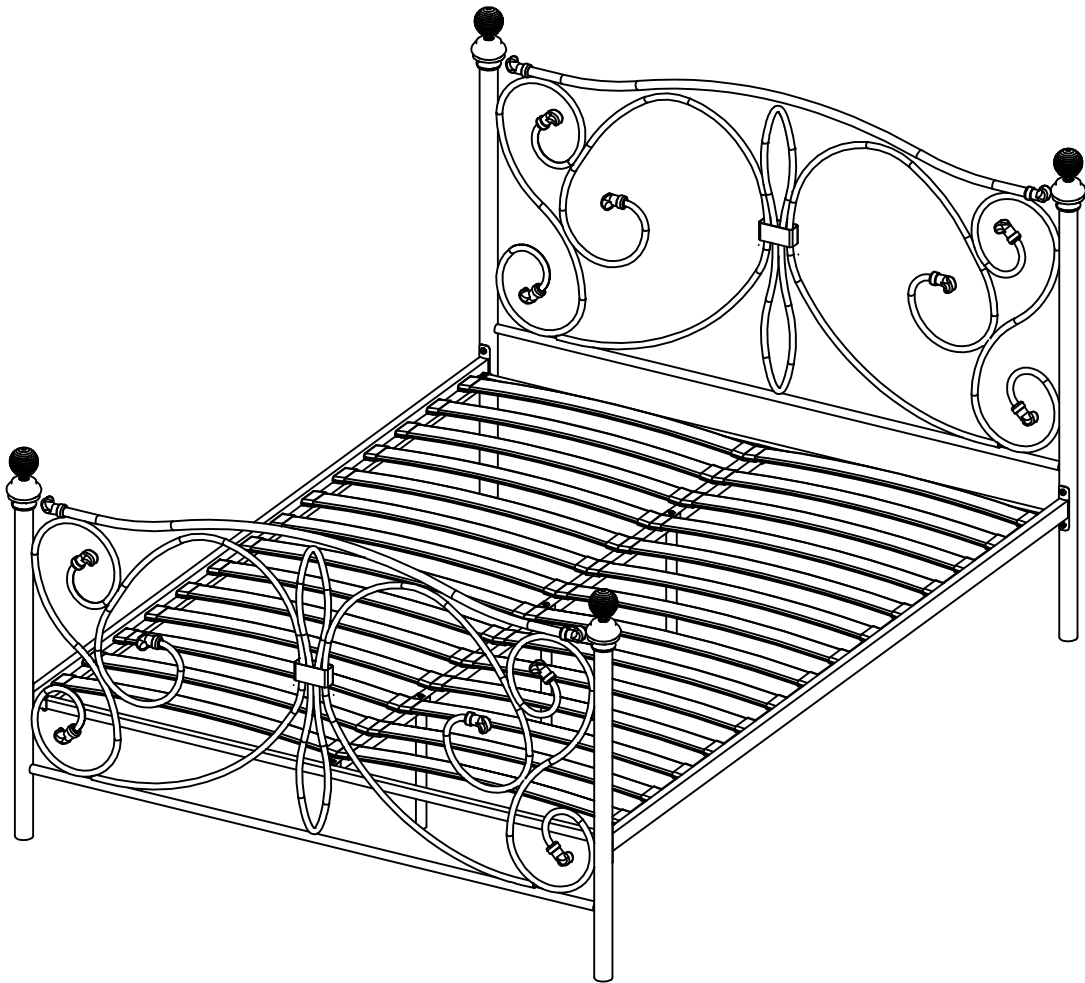
7

# PANACHE CRYSTAL METAL BED ASSEMBLY INSTRUCTIONS

## Complete Assembly

Your bed frame is now completely assembled.

Periodically check to ensure that the components are in their proper position, free from damage. Also, make sure the connectors are tight and secure.



Keep instructions for future reference

