



Birlea

Suppliers of inspiration

Vendor: S000013



ASSEMBLY INSTRUCTIONS

MAYFAIR 6' BED

IMPORTANT: READ THESE INSTRUCTIONS CAREFULLY BEFORE ASSEMBLING OR USING YOUR MAYFAIR 6' BED FRAME

PLEASE KEEP THESE INSTRUCTIONS FOR FUTURE REFERENCE

HEALTH & SAFETY:

DO NOT jump on this bed frame.

DO NOT use this bed frame if any parts are missing, damaged or worn.

DO NOT use this bed frame unless all fixings are secured.

Please keep small parts out of reach of children.

Always use on a level, even surface

WARNING: If this bed is placed on a non-carpeted floor you must place some protection under all legs to stop the bed frame from moving. If this is not adhered to there is no guarantee if the bed frame collapses.

CARE & MAINTENANCE:

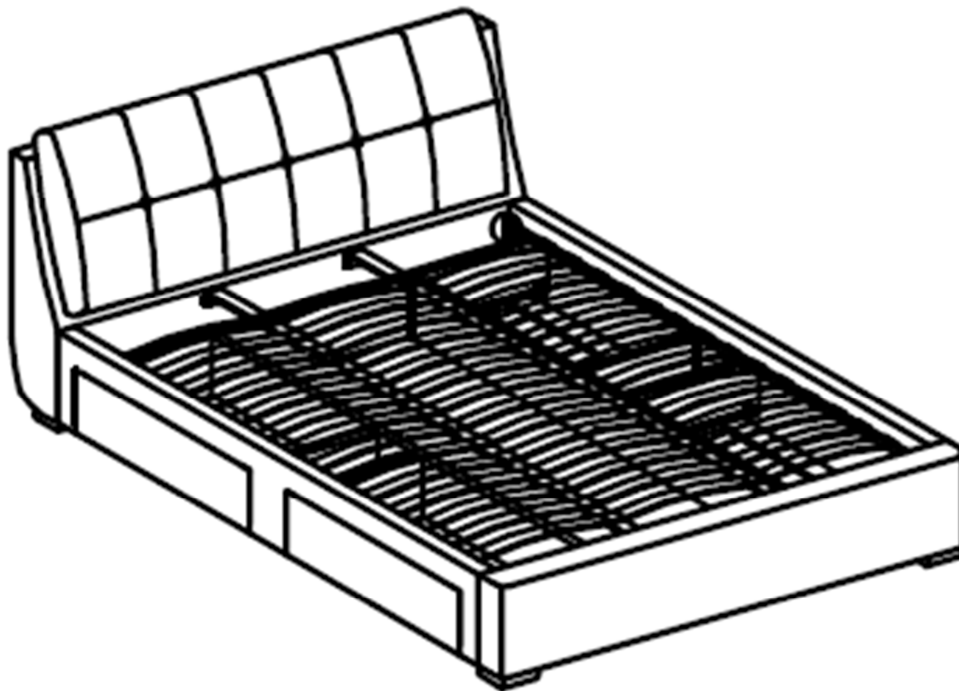
Assemble in the room of use.

Periodically check all screws & fixings to ensure they are secure.

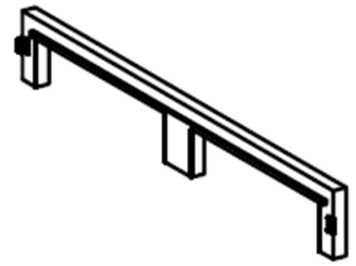
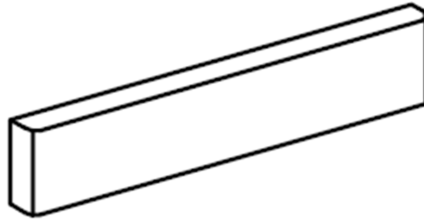
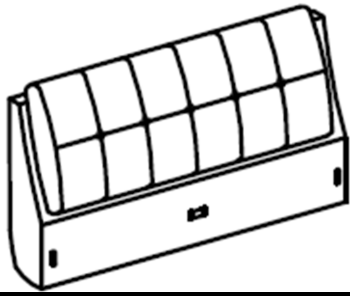
DO NOT push the bed frame as this will damage the legs.

Always lift the bed with two people to reposition.

Keep any sharp objects away from the frame.



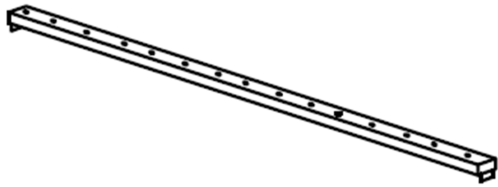
www.birlea.com



1

2

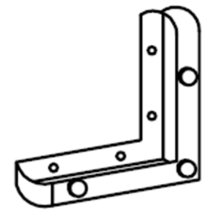
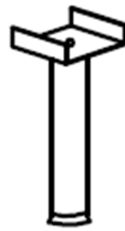
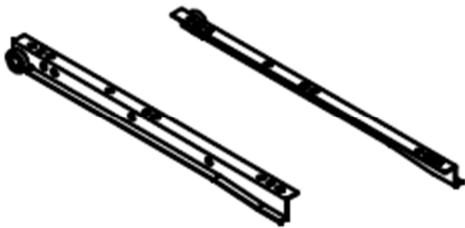
3



4

5

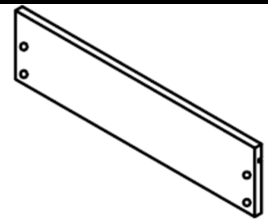
6



7

8

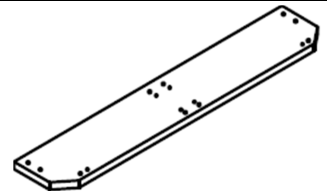
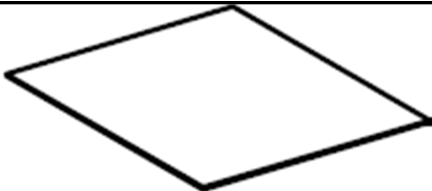
9



10

11

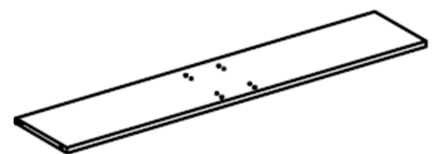
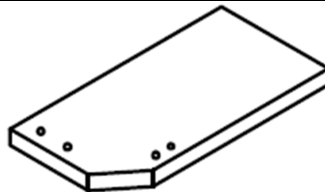
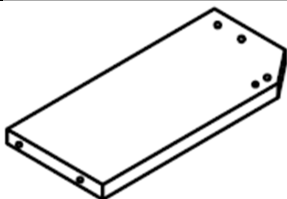
12



13

14

15



16

17

18

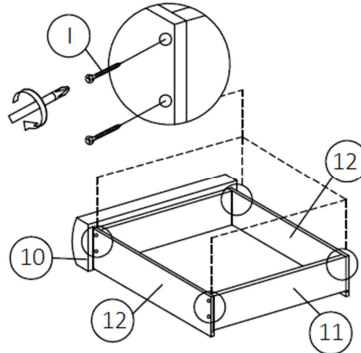


19

Parts List				Hardware List (found in box 3)		
Part	Description	Box	Qty	Part	Description	Qty
1	Headend	1	1	A	8 x 25 mm Plastic Dowel 	24
2	Footend	2	1	B	M6 x 40 mm JCBC W 	24
3	Side Rail	3	2	C	M6 x 40 mm JCBC 	20
4	Centre Rail	3	2	D	White Nail 	20
5	Slat	3	42	E	6/8 Tack 	48
6	Drawer Runner Pack 1	4	8	F	M3.5 x 16 mm CSK 	48
7	Drawer Runner Pack 2	4	8	G	M4 x 25 mm CSK 	16
8	Support Leg	3	4	H	M4 x 32 mm CSK 	16
9	Foot	3	4	I	M4 x 50 mm CSK 	32
10	Drawer Front	4	4	J	Allen Key 	1
11	Drawer Back	4	4	K	M6 Flat Washer 	16
12	Drawer Side	4	8	L	Double Slat Cap 	28
13	Drawer Base	4	4	M	Single Slat Cap 	28
14	Drawer Support	4	8	*You will need a small mallet and screwdriver (not provided).		
15	Drawer Frame Side	4	2			
16	Drawer Frame Divider 1	4	2			
17	Drawer Frame Divider 2	4	2			
18	Drawer Frame Cross Bar	4	2			
19	Drawer Frame Support	4	4			

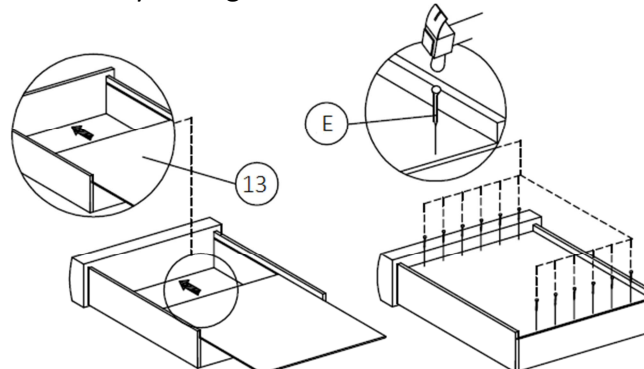
Step 1: Join together the drawer front (10), drawer back (11) and drawer sides (12) using hardware part I and a screwdriver (not provided). Repeat for the remaining drawers.

DO NOT use any power tools as this may damage the frame and will invalidate any claim.

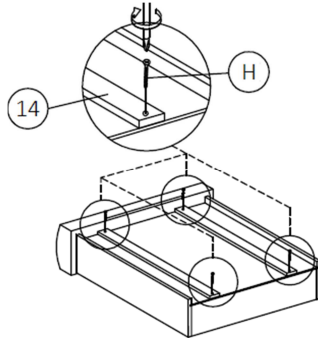


Step 2: Slide the drawer base (13) into position on all four drawers. Secure with hardware part E and a small mallet (not provided).

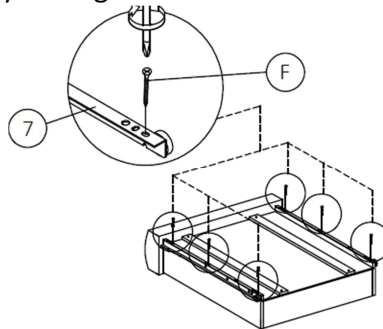
DO NOT use any power tools as this may damage the frame and will invalidate any claim.



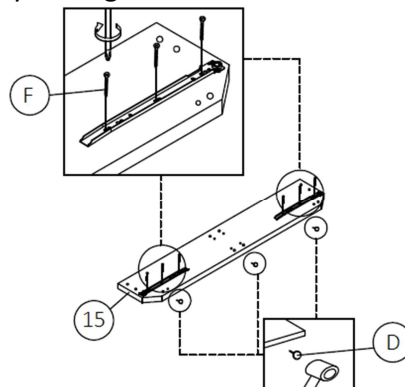
Step 3: Secure the drawer supports (14) using hardware part H and a screwdriver.
DO NOT use any power tools as this may damage the frame and will invalidate any claim.



Step 4: Attach the drawer runners from pack 2 (7) using hardware part F and a screwdriver (not provided).
DO NOT use any power tools as this may damage the frame and will invalidate any claim.

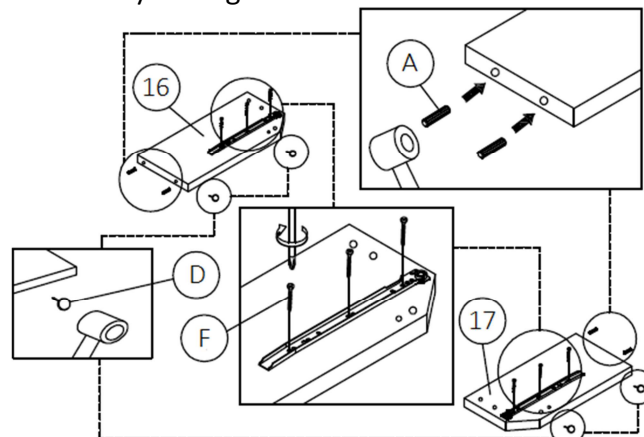


Step 5: Attach the drawer runners from pack 1 (6) to the drawer frame side (15) using hardware part F and a screwdriver (not provided). Insert hardware part D using a small mallet (not provided).
DO NOT use any power tools as this may damage the frame and will invalidate any claim.

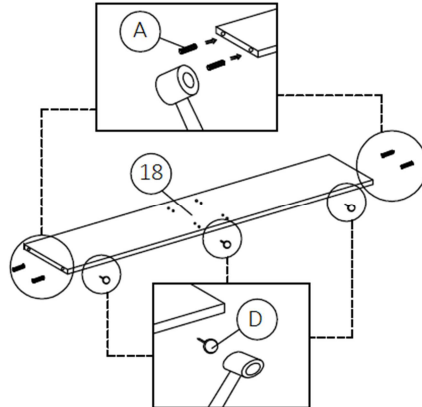


Step 6: Attach the drawer runners from pack 1 (6) to the drawer frame divider 1 (16) and drawer frame divider 2 (17) using hardware part F and a screwdriver (not provided). Insert hardware parts A and D using a small mallet (not provided).

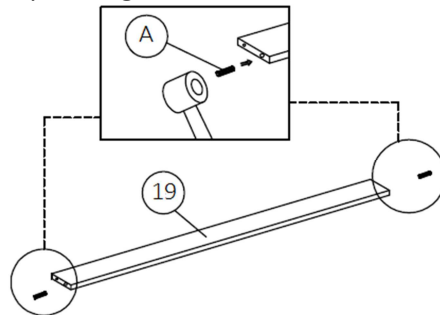
DO NOT use any power tools as this may damage the frame and will invalidate any claim.



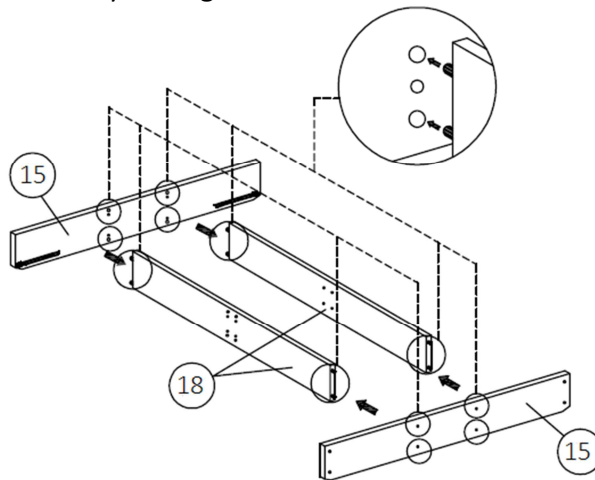
Step 7: Insert hardware parts A and D to the drawer frame crossbar (18) using a small mallet (not provided). DO NOT use any power tools as this may damage the frame and will invalidate any claim.



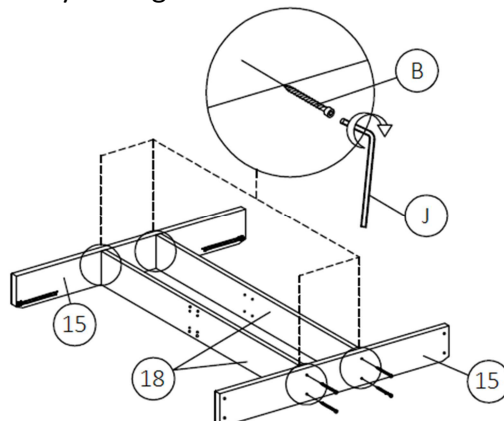
Step 8: Insert hardware parts A and D to the drawer frame crossbar (18) using a small mallet (not provided). DO NOT use any power tools as this may damage the frame and will invalidate any claim.



Step 9: Join together the drawer frame sides (15) and drawer frame crossbars (18). DO NOT use any power tools as this may damage the frame and will invalidate any claim.

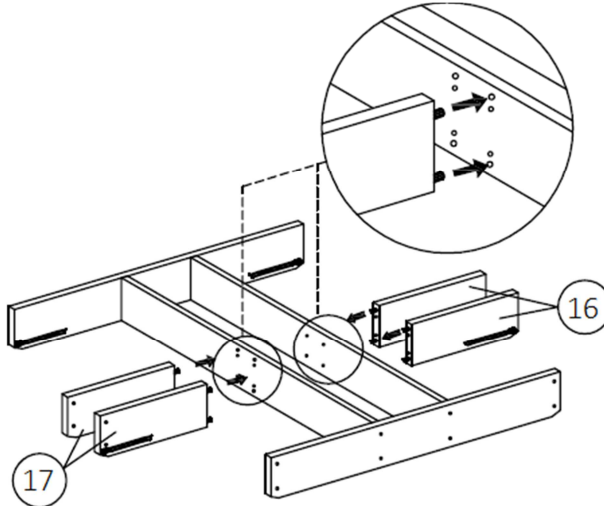


Step 10: Secure the frame using hardware parts B and J. DO NOT use any power tools as this may damage the frame and will invalidate any claim.



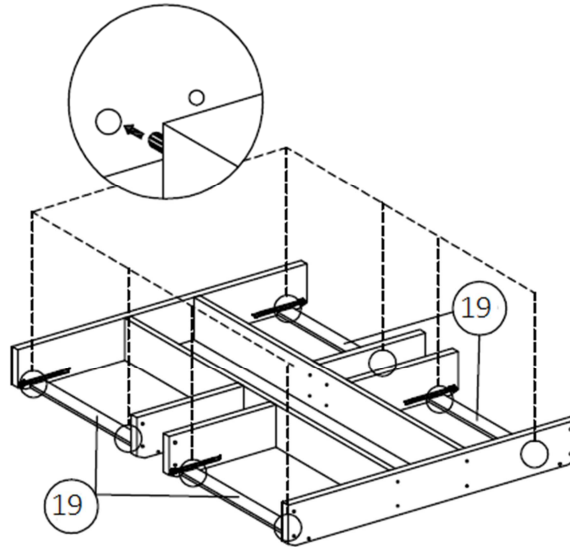
Step 11: Attach the drawer frame dividers (16) and (17).

DO NOT use any power tools as this may damage the frame and will invalidate any claim.



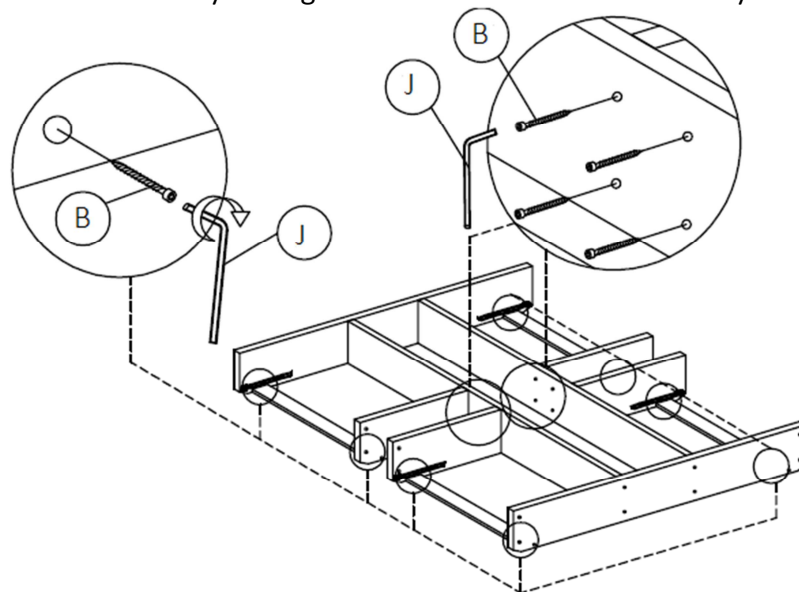
Step 12: Insert the drawer frame supports (19).

DO NOT use any power tools as this may damage the frame and will invalidate any claim.

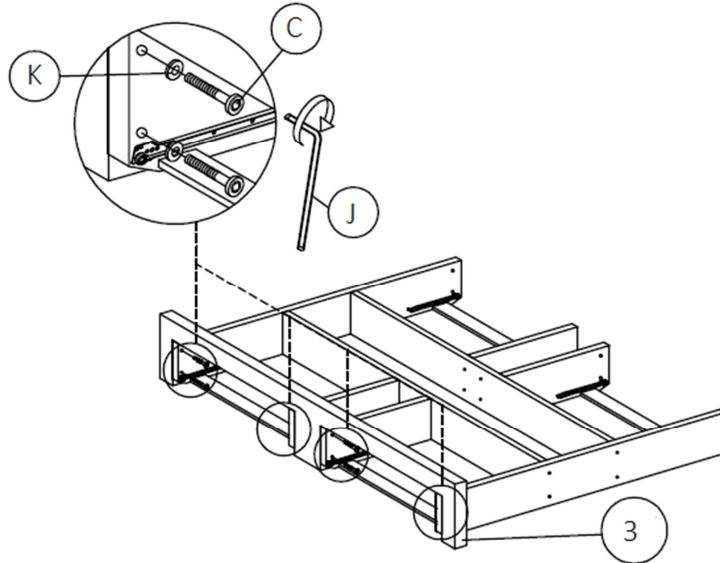


Step 13: Secure the frame using hardware parts B and J.

DO NOT use any power tools as this may damage the frame and will invalidate any claim.

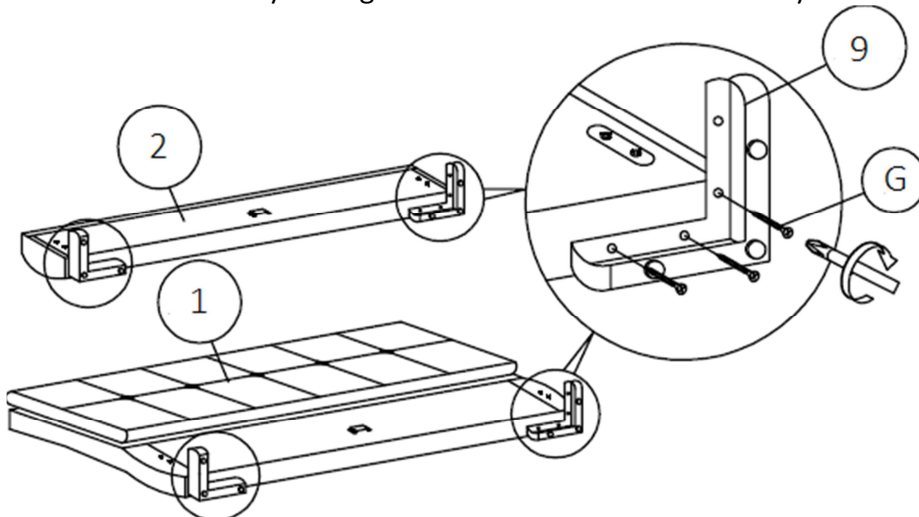


Step 14: Attach the side rails (3) using hardware parts C, J and K.
DO NOT use any power tools as this may damage the frame and will invalidate any claim.



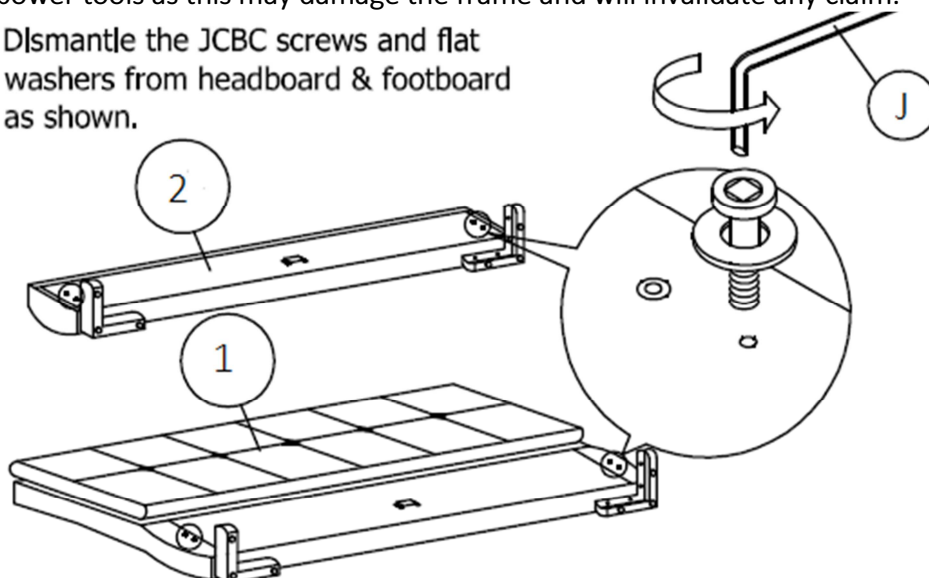
Step 15: Attach the feet (9) to the headend (1) and footend (2) using hardware part G and a screwdriver (not provided).

DO NOT use any power tools as this may damage the frame and will invalidate any claim.

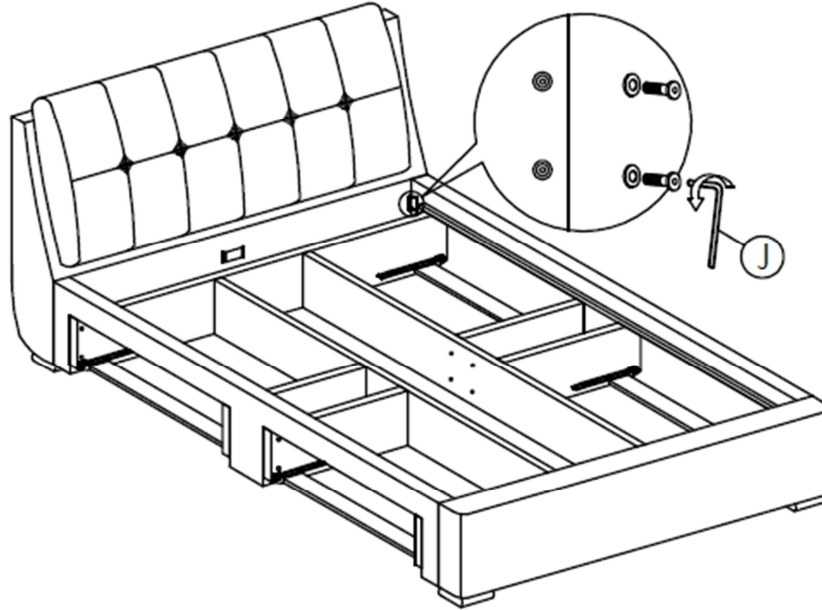


Step 16: Undo the screws and washers in the headend (1) and footend (2) using hardware part J.
DO NOT use any power tools as this may damage the frame and will invalidate any claim.

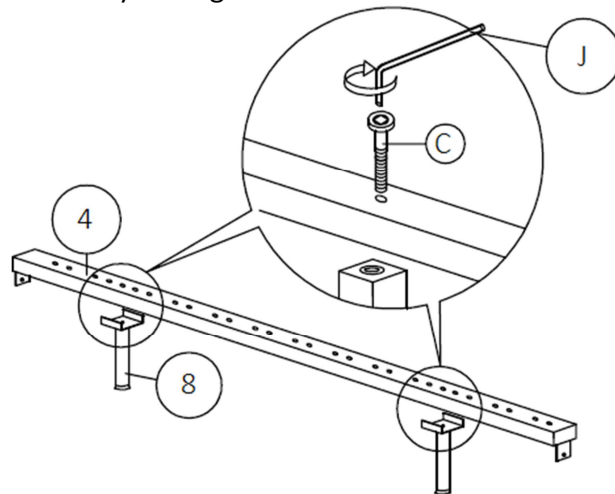
Dismantle the JCBC screws and flat washers from headboard & footboard as shown.



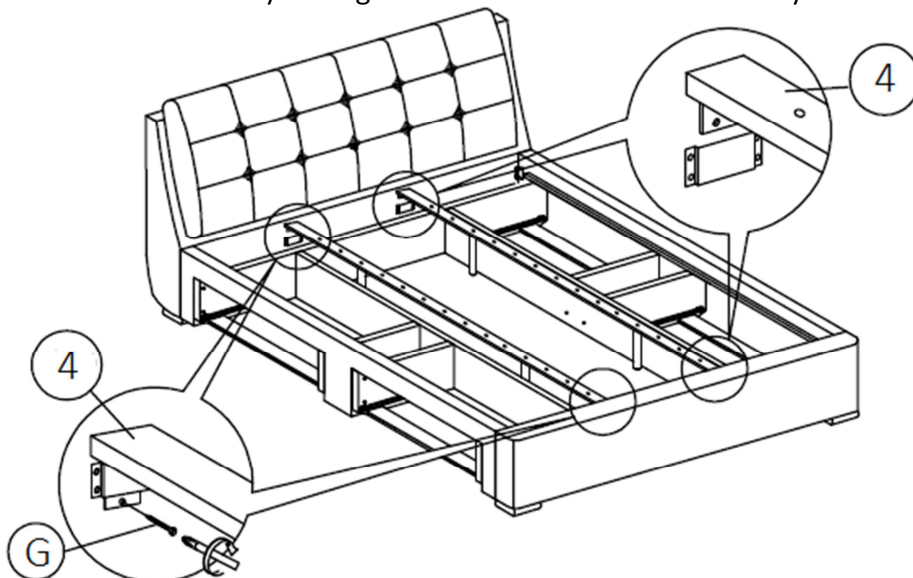
Step 17: Secure the headend (1) and footend (2) using hardware part J.
DO NOT use any power tools as this may damage the frame and will invalidate any claim.



Step 18: Attach the support legs (8) to the centre rails (4) using hardware parts C and J.
DO NOT use any power tools as this may damage the frame and will invalidate any claim.

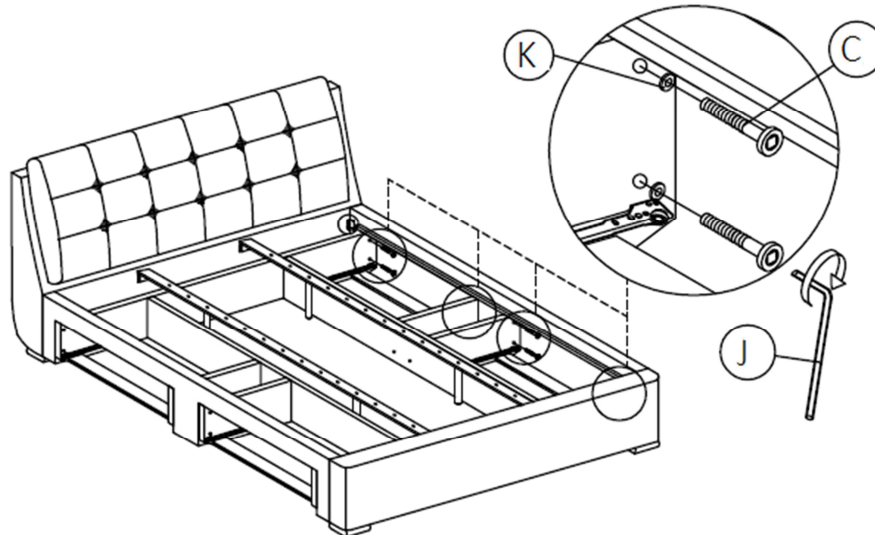


Step 19: Secure the centre rail into position using hardware part G and a screwdriver (not provided).
DO NOT use any power tools as this may damage the frame and will invalidate any claim.



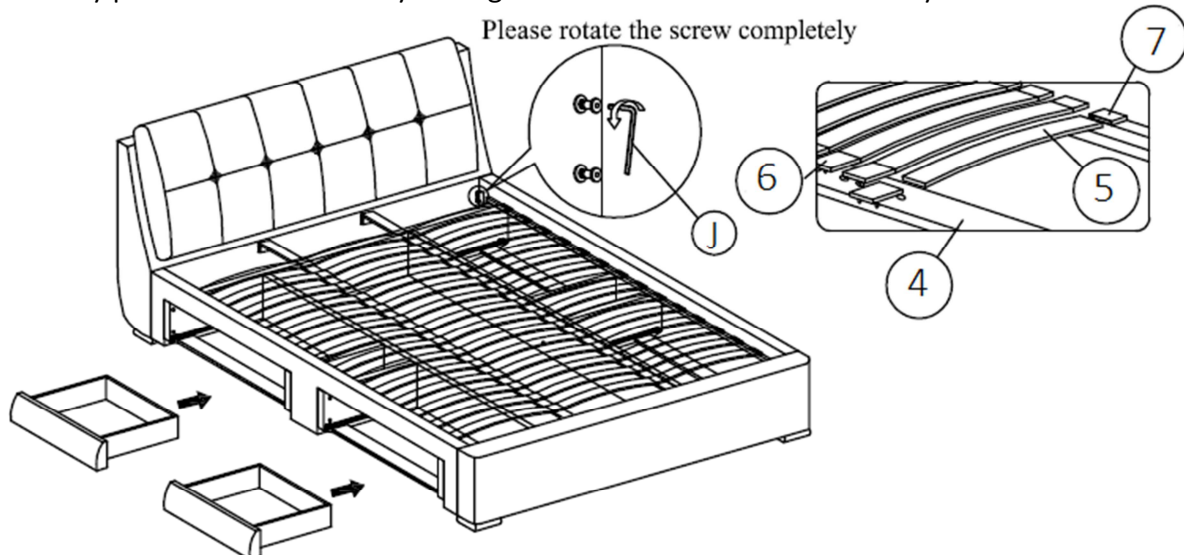
Step 20: Secure the frame using hardware parts C, J and K.

DO NOT use any power tools as this may damage the frame and will invalidate any claim.



Step 21: Attach the slats (5) using hardware parts L and M, then secure the frame using hardware part J.

DO NOT use any power tools as this may damage the frame and will invalidate any claim.



Additional Information:

- For complete product information, images and dimension diagrams please visit the website www.birlea.com
- If you have any issues with your item please contact the retailer directly you purchased it from who will be able to resolve any issues with Birlea.
- Why don't you send us photos of your assembled furniture to info@birlea.com to be shared in our #birleahome feature on Instagram.