



Birlea

Suppliers of inspiration

Assembly Instructions

Thank you for
purchasing a
Birlea product.

For a chance to win a *Love 2 Shop* voucher simply post a picture of your new product on your preferred social channels tagging Birlea Furniture and using the hashtag **#ShareYourStyle** and **#Birlea**. One winner will be selected at random each month.

To view our full terms and conditions please visit our website. www.birlea.com

Are you happy with your purchase?

Yes: That's great, we would love to hear more from you. Please leave us a review on our social media channels or Trustpilot. Your feedback will be greatly appreciated.

No: If for any reason there is something missing, indifferent or incorrect with your order, please contact the retailer you purchased the item from. We will work with the retailer to resolve your issue as quickly as possible.



www.birlea.com

ASSEMBLY INSTRUCTIONS
PARIS 2 DRAWER BEDSIDE

IMPORTANT: READ THESE INSTRUCTIONS CAREFULLY BEFORE ASSEMBLING OR USING YOUR PARIS 2 DRAWER BEDSIDE.

PLEASE KEEP THESE INSTRUCTIONS FOR FUTURE REFERENCE

HEALTH & SAFETY:

DO NOT use this item if any parts are missing, damaged or worn

DO NOT use this item unless all fixings are secured.

Please keep small parts out of reach of children.

Always use on a level, even surface

CARE & MAINTENANCE:

Assemble in the room of use.

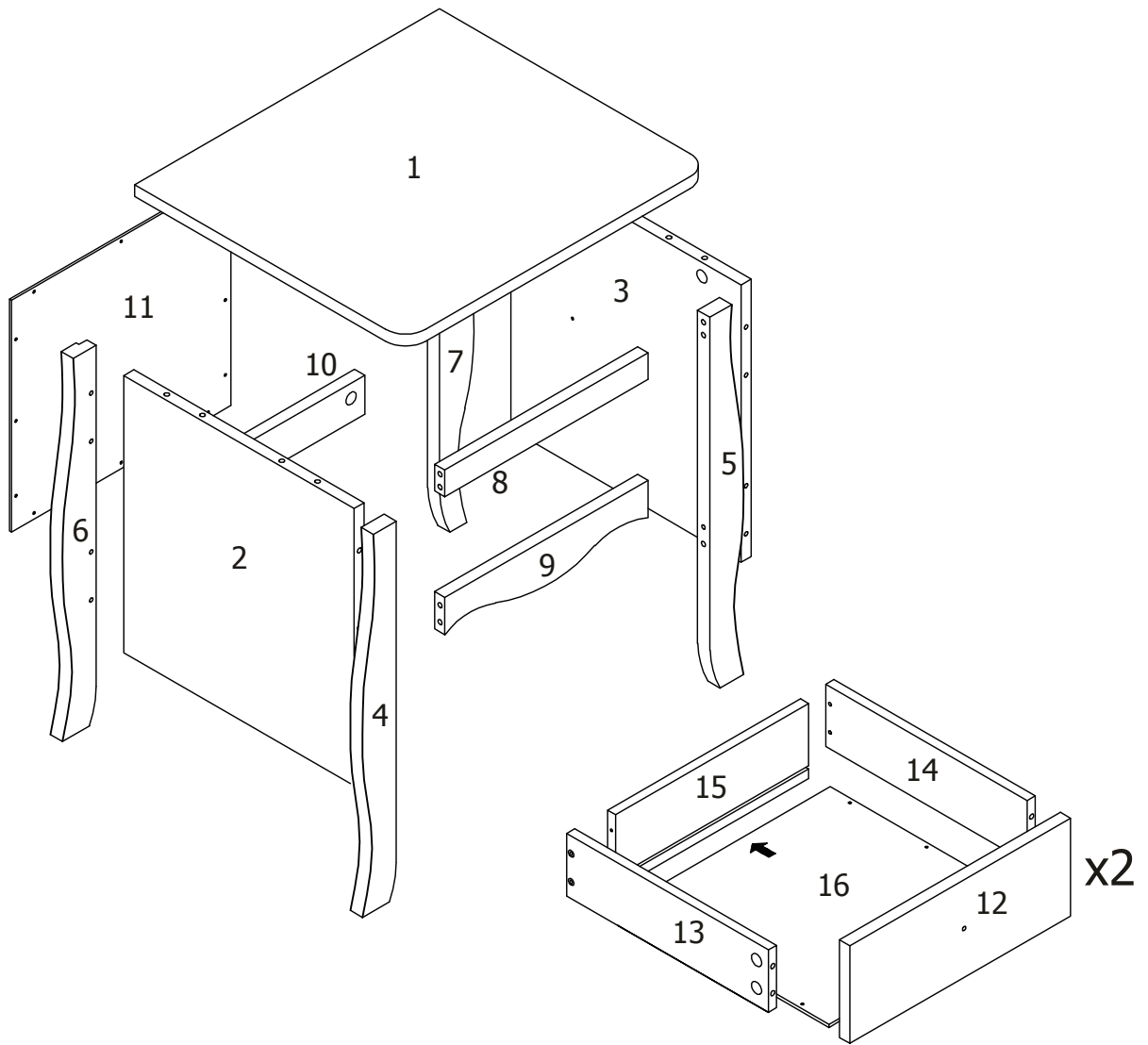
Periodically check all screws and fixings to ensure they are secured.

DO NOT push the item as this will damage the legs.

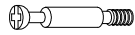
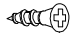



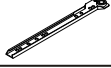
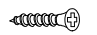




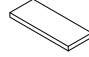

Always lift the item with 2 people to reposition.

Keep any sharp objects away from the item.

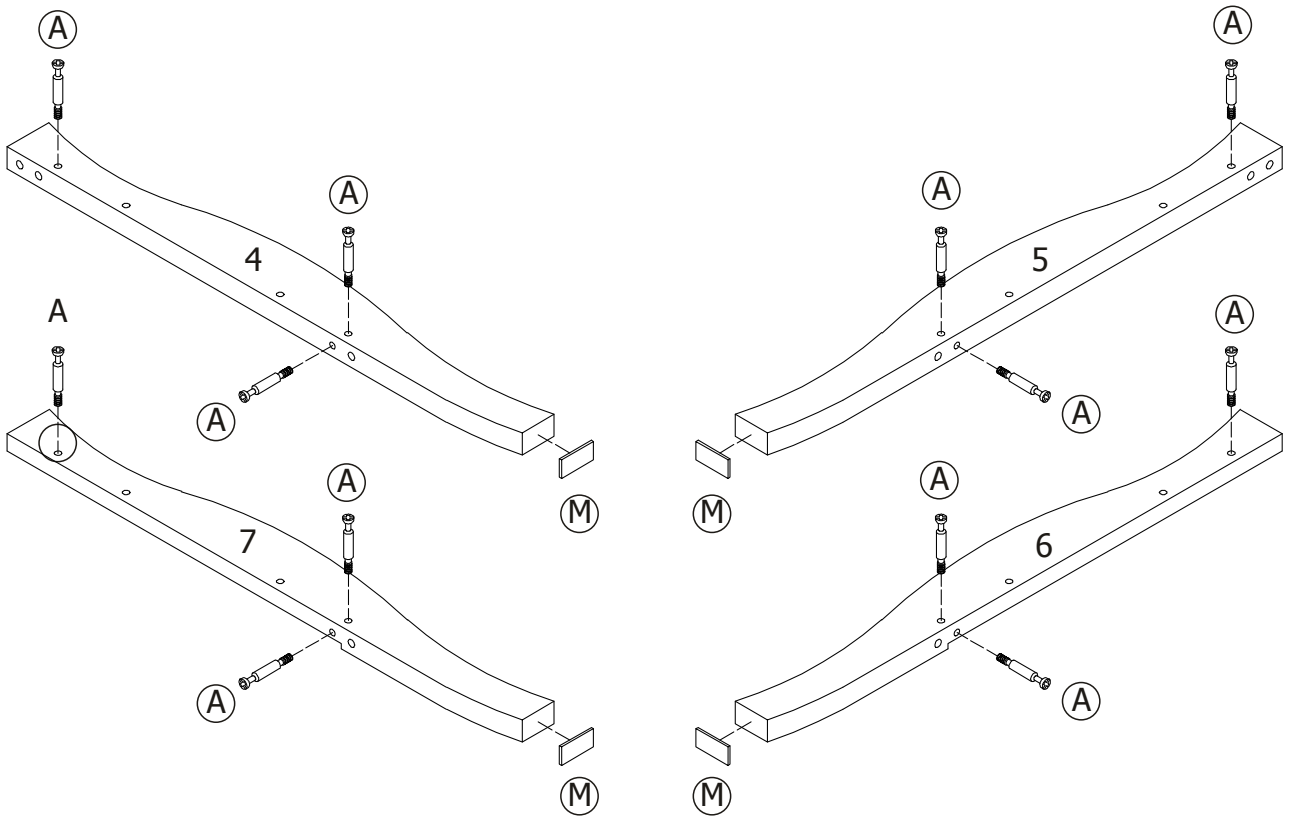




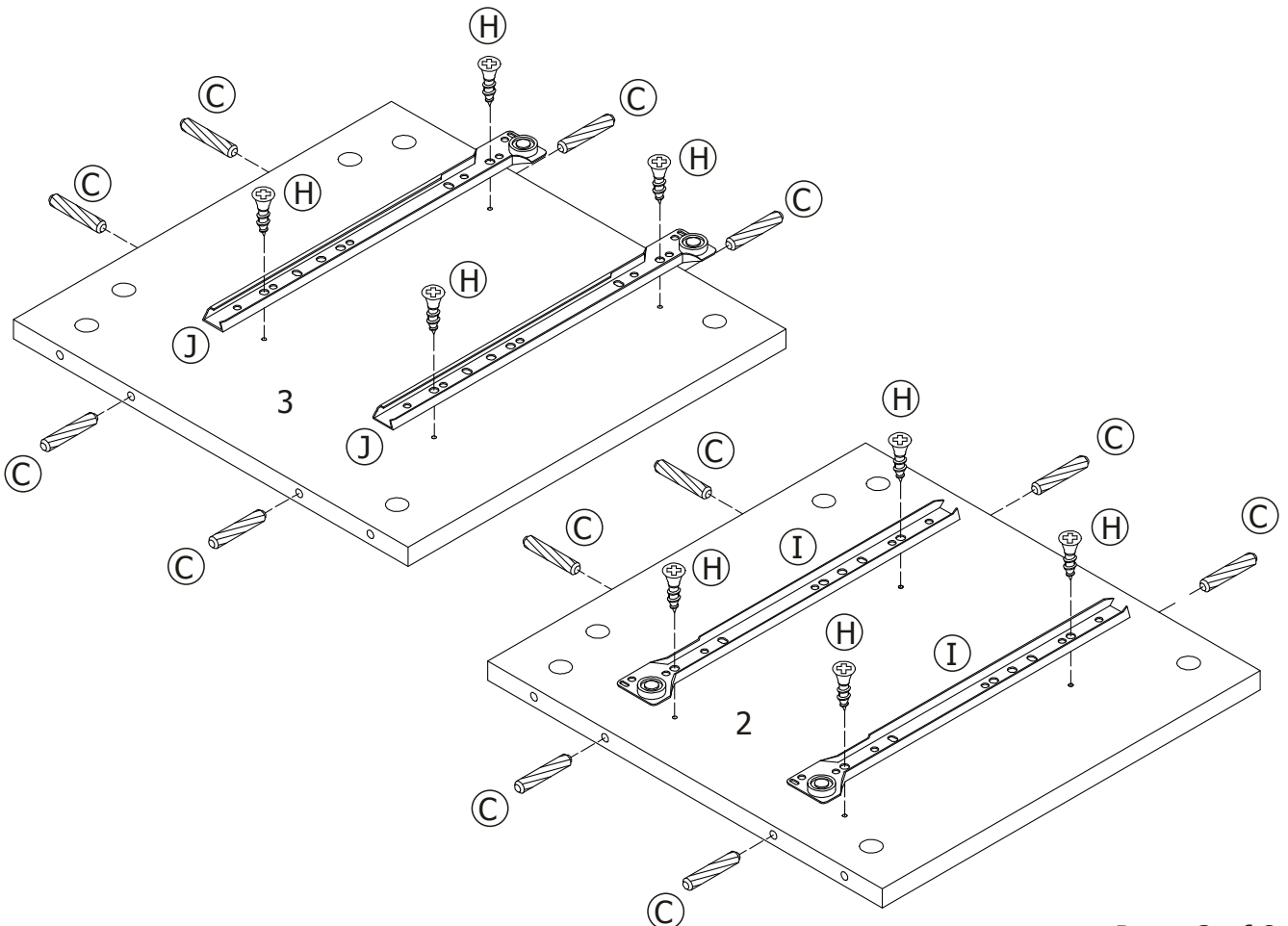
PART LIST		
Part	Item	Qty
1	Top panel	1
2	Left panel	1
3	Right panel	1
4	Leg	1
5	Leg	1
6	Leg	1
7	Leg	1
8	Top rail	1
9	Front rail	1
10	Back rail	1
11	Back board	1
12	Drawer front panel	2
13	Drawer left panel	2
14	Drawer right panel	2
15	Drawer back panel	2
16	Drawer bottom board	2

HARDWARE LIST					
Part	Item	Qty	Part	Item	Qty
A		24	H		20
B		24	I		2
C		20	J		2
D		8	K		2
E		2	L		2
F		2	M		4
G		12			

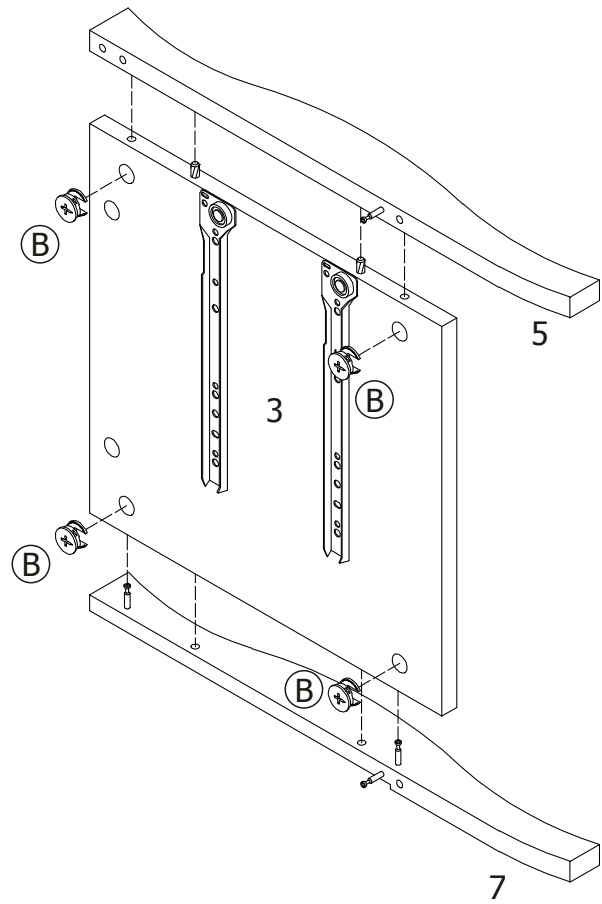
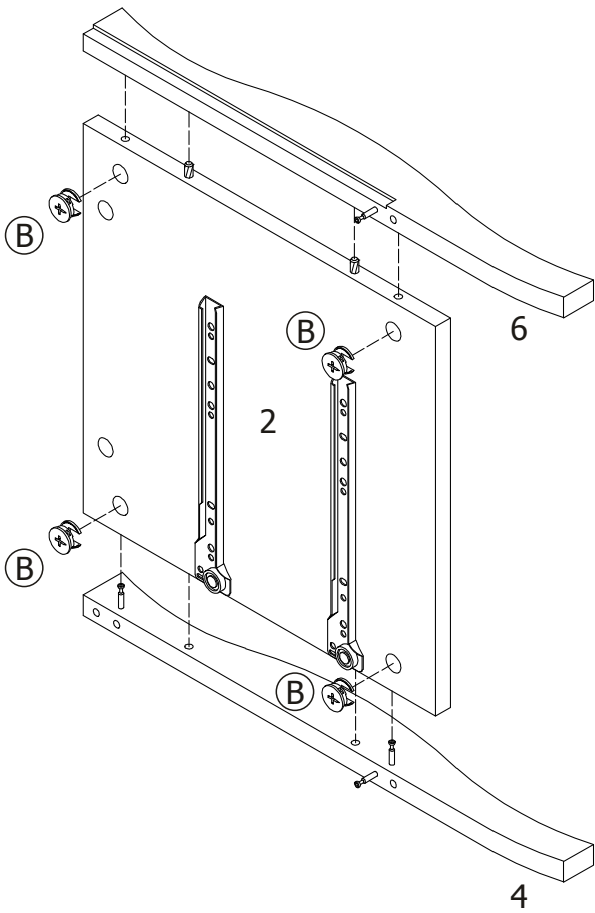
Step 1: Insert hardware part (A) and (M) into the legs (4), (5), (6) and (7).



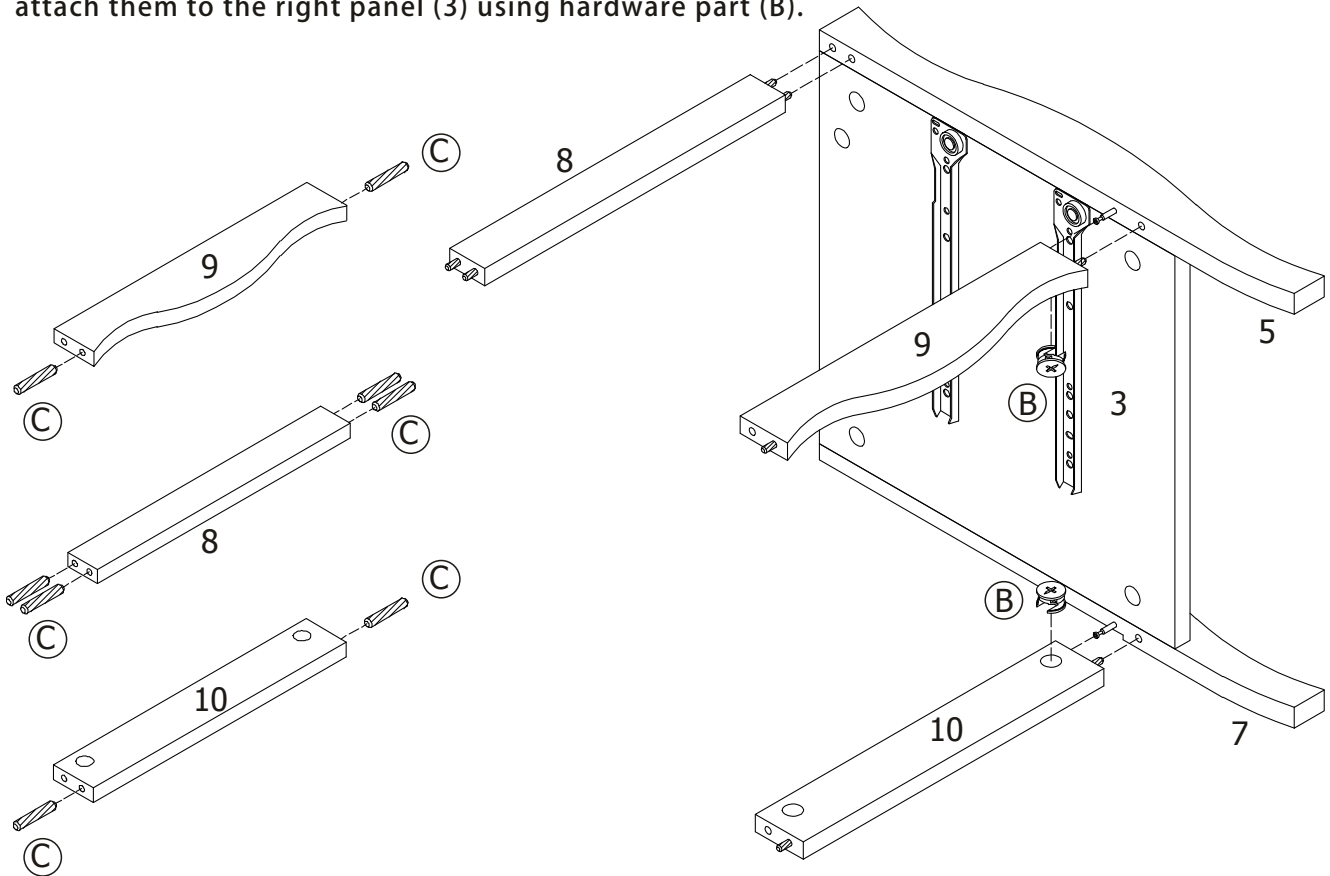
Step 2: Insert hardware part (C), (J) and (H) onto the right panel (3). Insert hardware part (C), (I) and (H) onto the left panel (2).



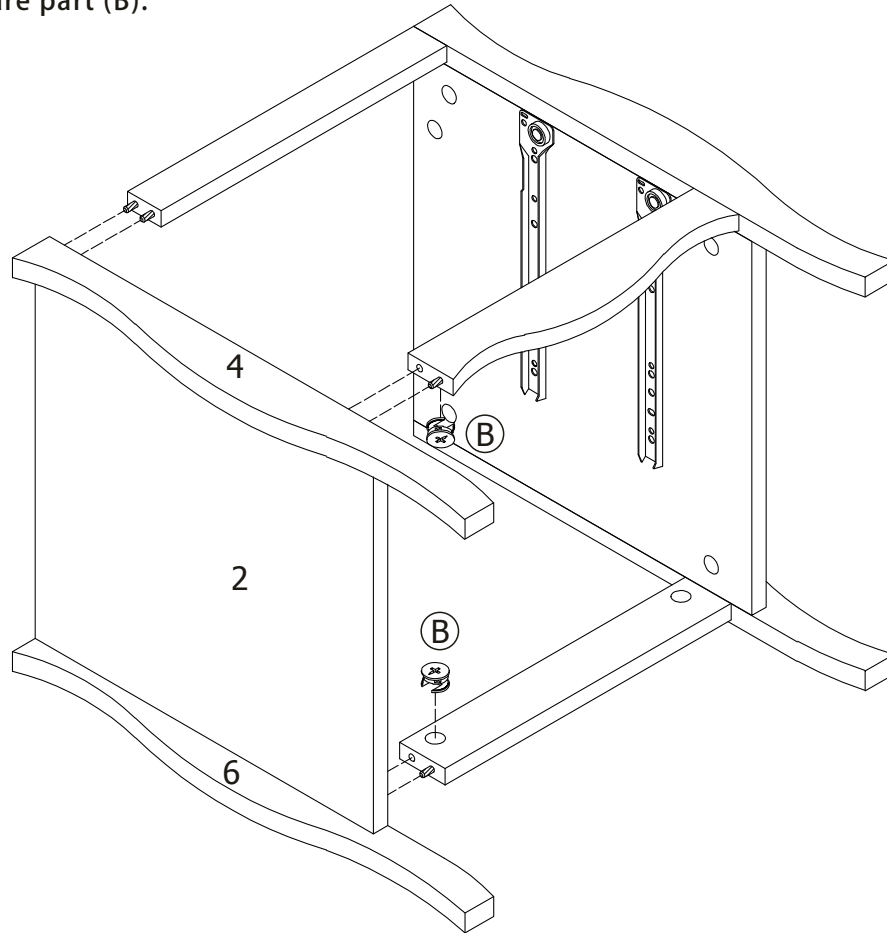
Step 3: Attach legs (6) and (4) to the left panel (2) using hardware part (B). Then attach legs (7) and (5) to the right panel (3) using hardware part (B).



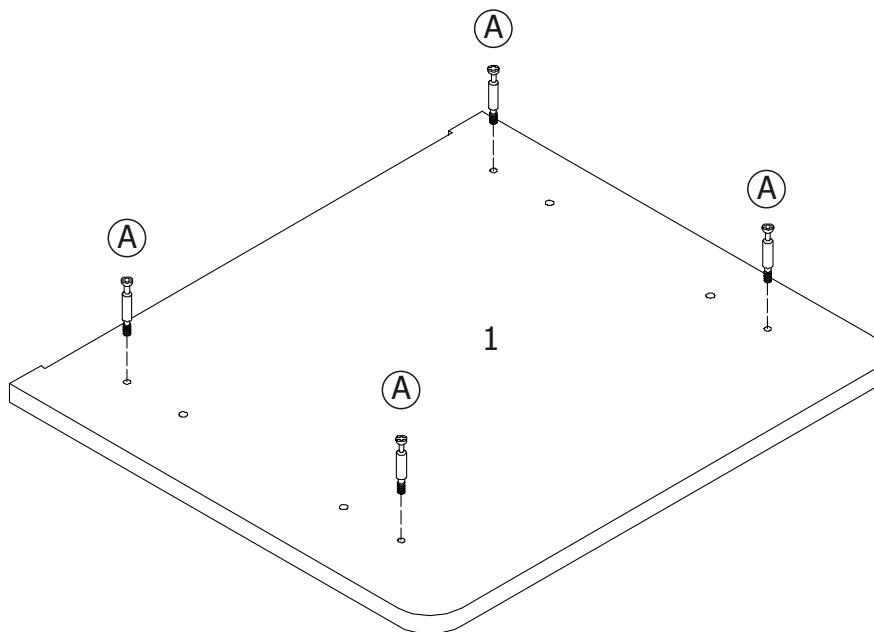
Step 4: Insert hardware part (C) into the Front rail (9), Top rail (8) and Back rail (10). Then attach them to the right panel (3) using hardware part (B).



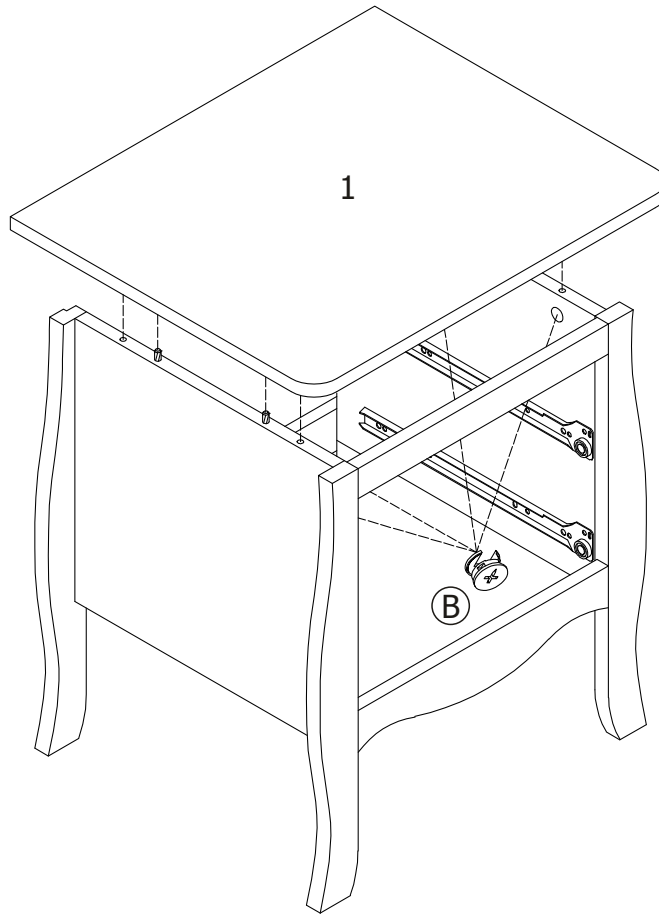
Step 5: Then attach the Top rail (8), Front rail (9) and Back rail (10) to the left panel (2) using hardware part (B).



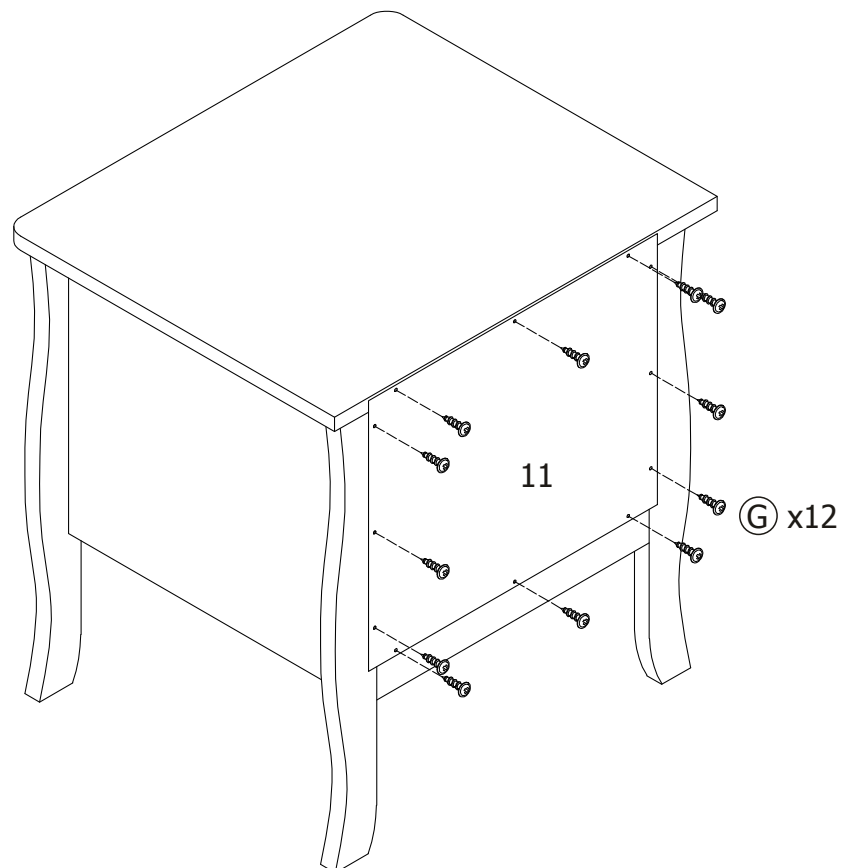
Step 6: Insert hardware part (A) into the holes shown on the Top panel (1).



Step 7: Attach the Top Panel (1) to the assembled frame using hardware part (B).



Step 8: Attach the Back board (11) to the back of the bedside using hardware part (G).



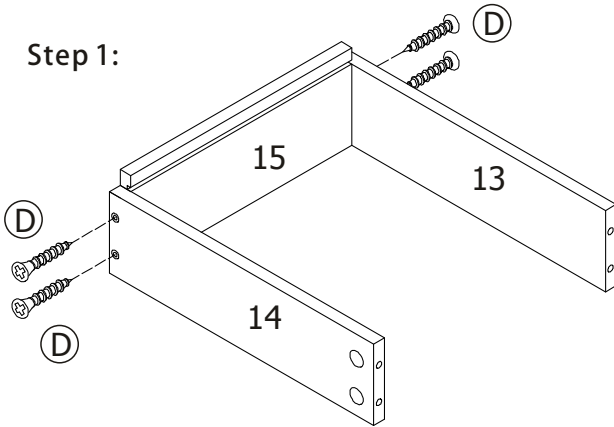
Step 9:

x2

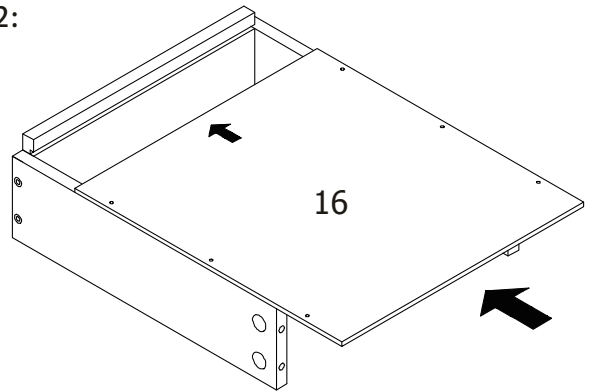
Attach the drawer left panel and the drawer right panel (13) and (14) to the drawer back panel (15) using hardware part (D).

Slide in the drawer bottom board (16) as shown.

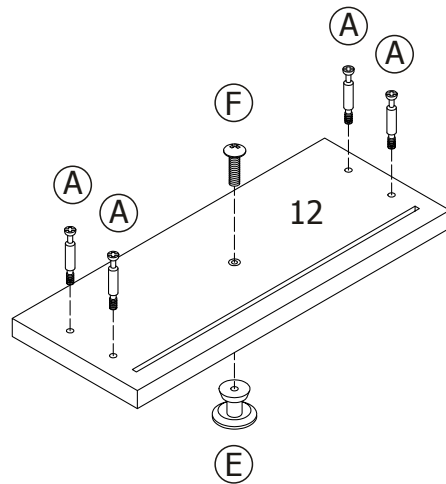
Step 1:



Step 2:



Step 3:

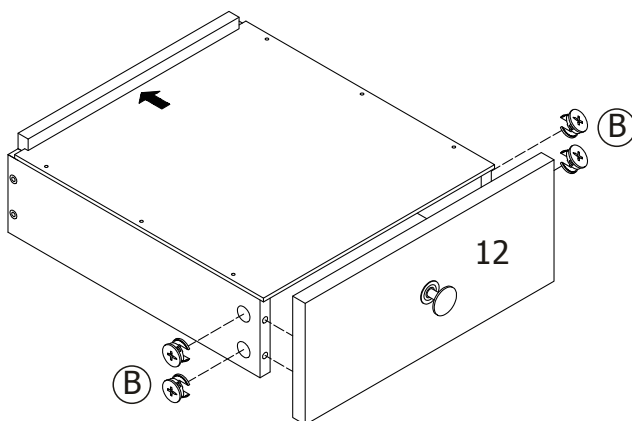


Insert hardware part (A) into the holes shown on the drawer front panel (12). Then attach hardware part (E) using hardware part (F).

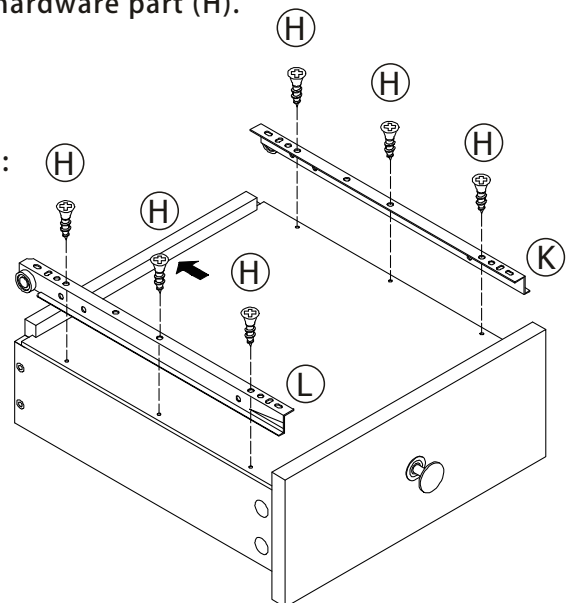
Attach the drawer front panel (12) to the assembled drawer using hardware part (B).

Attach hardware part (L) and hardware part (K) onto the drawer left and right panels (13) and (14) using hardware part (H).

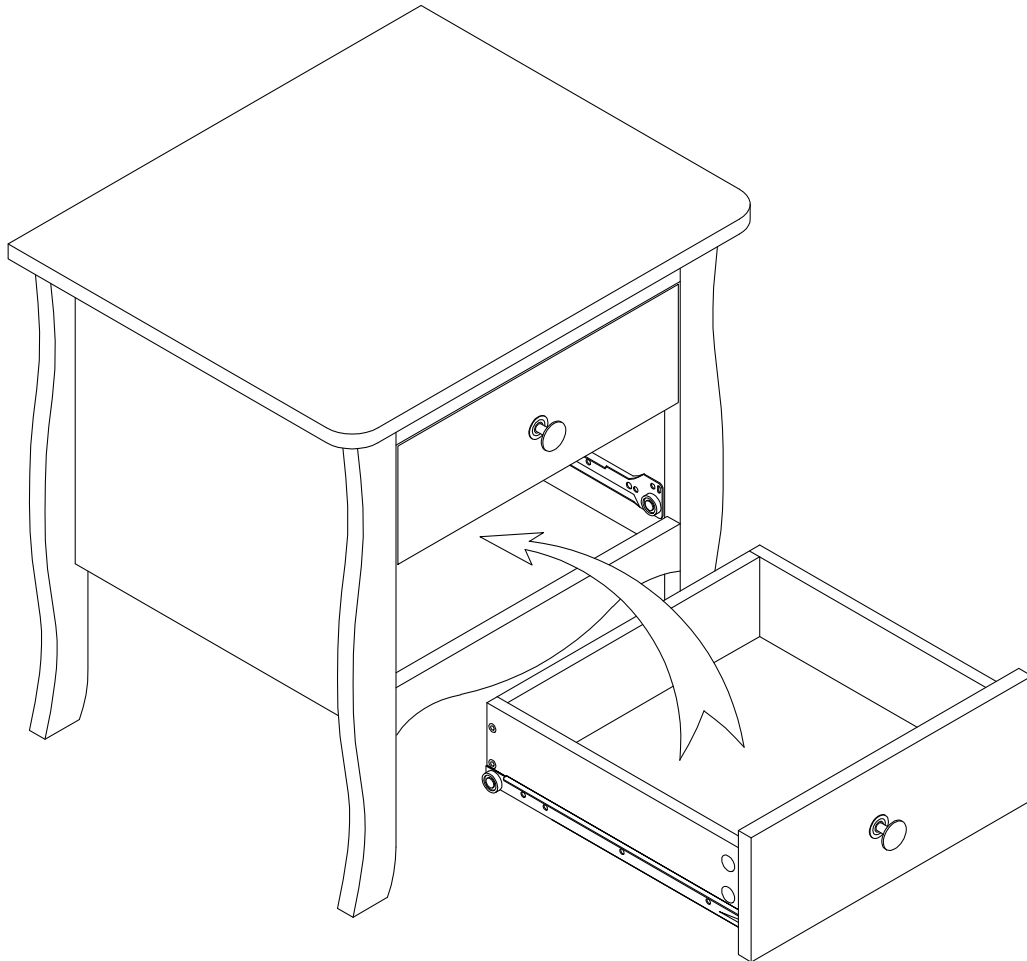
Step 4:



Step 5:



Step 10: Insert the assembled drawer as shown.



Additional Information :

- For complete product information, images and dimension diagrams please visit the website www.birlea.com
- If you have any issues with your item please contact the retailer directly you purchased it from who will be able to resolve any issues with Birlea.
- Why don't you send us photos of your assembled furniture to info@birlea.com to be shared in our #birleahome feature on instagram.



Birlea

Suppliers of Inspiration