



# ASSEMBLY INSTRUCTIONS

## ISLINGTON BUNK BED

**IMPORTANT: READ THESE INSTRUCTIONS CAREFULLY BEFORE ASSEMBLING OR USING YOUR ISLINGTON BUNK BED FRAME.**

PLEASE KEEP THESE INSTRUCTIONS FOR FUTURE REFERENCE.

### HEALTH & SAFETY:

DO NOT jump on this bed frame

This bed has not been designed or constructed as play equipment

DO NOT use this bed frame if any parts are missing, damaged or worn

DO NOT use this bed frame unless all fixings are secured

Always use on a level, even surface

Be aware of the danger of young children (under 6) falling from the upper bunk. It is not advisable for children under the age of 6 to sleep on the top bunk

Always use the guard rails on both long sides of the upper bunk

**CAUTION:** There is the risk of strangulation to children from items such as string, ropes, cords, harnesses and belts hanging from the bed frame.

**WARNING:** Children can become trapped between the bed and the wall. To avoid risk of serious injuries the gap between the top rail and the wall should not exceed 75 mm, or it should be more than 230 mm.

**WARNING:** If this bed is placed on a laminated floor you must place some protection under all legs to stop the bed frame from moving. If this is not adhered to there is no guarantee if the bed frame collapses.

**BS EN747 : 2012 PART 1 & 2 +A1 : 2015**

### CARE & MAINTENANCE:

Periodically check all screws & fixings to ensure they are secure

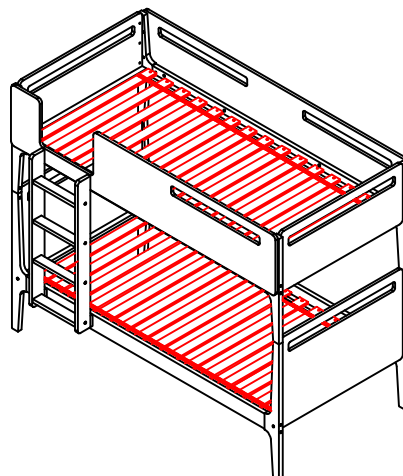
DO NOT push the bed frame as this will damage the legs

Always lift the bed with two people to reposition

Keep any sharp objects away from the frame

Recommended size of mattress(es) is 90mm x 190mm

Recommended maximum mattress height for the top bunk is 160mm

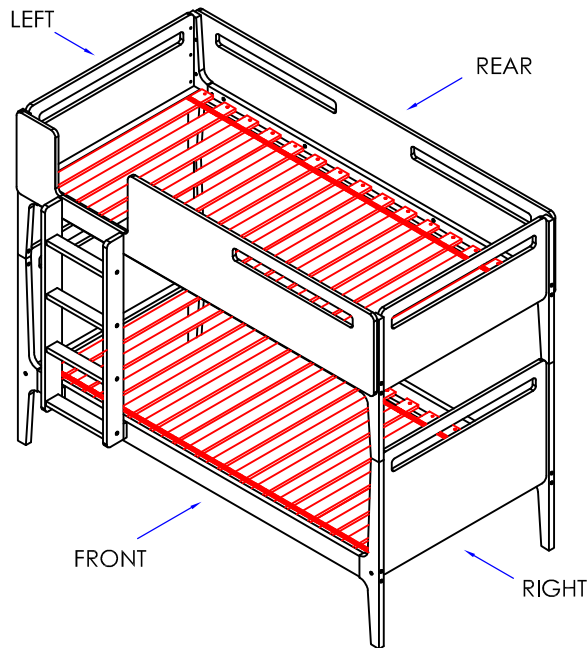




# Birlea

Suppliers of inspiration

Vendor : S000329



### ASSEMBLY TIPS





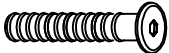
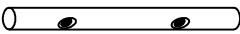
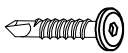
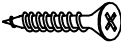






1. Remove hardware from box and sort by size.
2. Please check to see that all hardware and parts are present prior start of assembly.
3. Please follow attached instructions in the same sequence as numbered to assure fast and easy assembly.

### ⚠ WARNING !

1. Don't attempt to repair or modify part that are broken or defective. Please contact the store immediately.
2. This product is for home use only and not intended for commercial establishments.

**Note :** Please note steps 17-25 show how to turn the bunk into 2 single beds.

## \*Hardware pack on Box 2

HARDWARE LIST					
1	 JCBC M6 x120mm	16 PCS	8	 WOOD DOWEL Ø8 x 30mm	26 PCS
2	 JCBC M6 x 60mm	20 PCS	9	 BARREL NUT M6 x 13mm	32 PCS
3	 JCBC M6 x 30mm	32 PCS	10	 METAL PIN WITH HOLE Ø10 x 100mm	4 PCS
4	 JCBC-W M6 X 30mm	16 PCS	11	 WOOD SCREW 4.0 x 30mm	60 PCS
5	 MINIFIX CAM	28 PCS	12	 ALLEN KEY M4	1 PC
6	 MINIFIX BOLT	28 PCS	13	 WOODEN CAP	16 PCS
7	 WOOD DOWEL Ø10 x 30mm	24PCS	14	 PLASTIC CAP	28 PCS



# Birlea


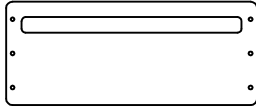

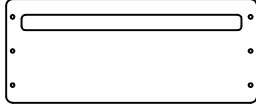
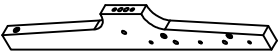
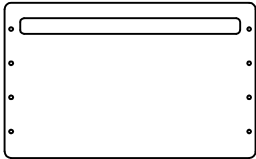

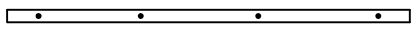
Suppliers of inspiration

www.birlea.com

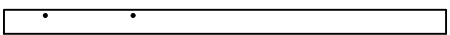

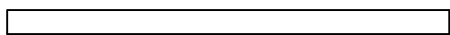
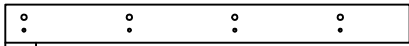
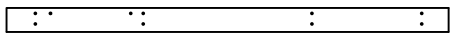
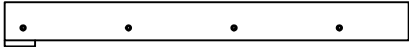
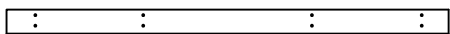
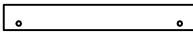

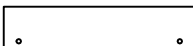
Page 2 of 16



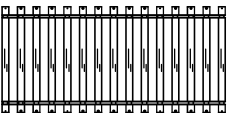
### BOX 1 OF 3

COMPONENT LIST			
A	 2 PCS LOWER LEG LEFT FRONT & RIGHT REAR	E	 1 PC UPPER PANEL HEADBOARD
B	 2 PCS LOWER LEG LEFT REAR & RIGHT FRONT	E1	 1 PC UPPER PANEL FOOTBOARD WITH STICKER
C	 2 PCS UPPER LEG LEFT FRONT & RIGHT REAR	F	 2 PCS LOWER PANEL HEADBOARD/FOOTBOARD
D	 2 PCS UPPER LEG LEFT REAR & RIGHT FRONT	Q	 4 PCS HEADBOARD/FOOTBOARD SUPPORT RAIL

### BOX 2 OF 3

G	 1 PC SIDE RAIL (LOWER-FRONT)	L	 1 PC FRONT GUARD PANEL
H	 1 PC SIDE RAIL (LOWER-REAR)	M	 1 PC LEFT LADDER RAIL
I	 1 PC SIDE RAIL (UPPER-FRONT)	N	 1 PC RIGHT LADDER RAIL
J	 1 PC SIDE RAIL (UPPER-REAR)	O	 3 PCS LADDER STRETCHER
K	 1 PC REAR GUARD PANEL	P	 1 PC LOWER LADDER STRETCHER

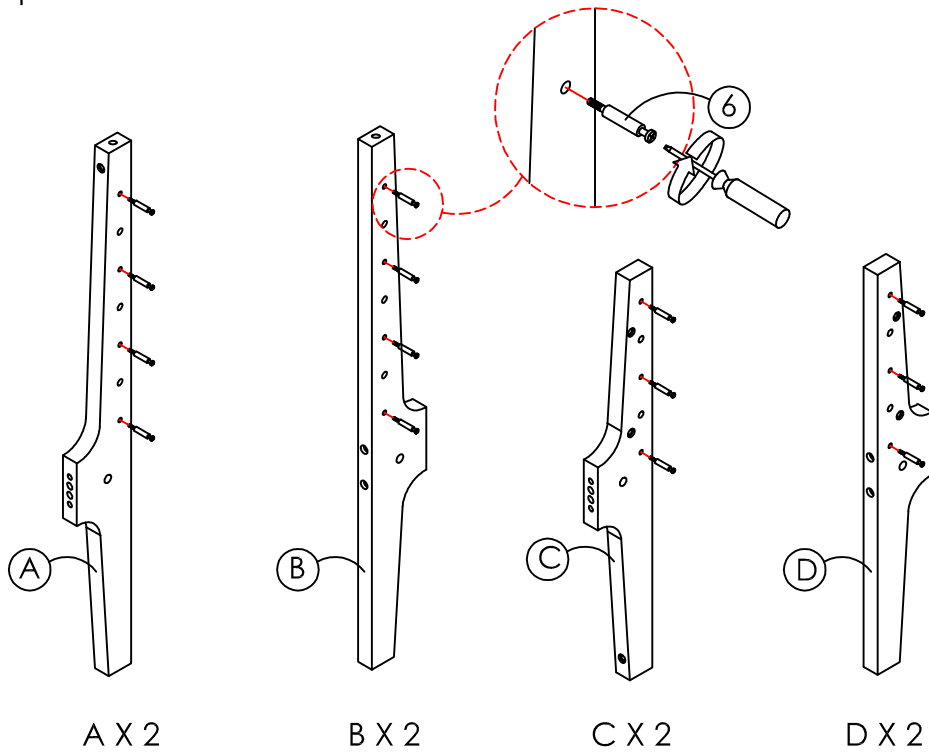
### BOX 3 OF 3

R	 2 SETS SLAT
---	--

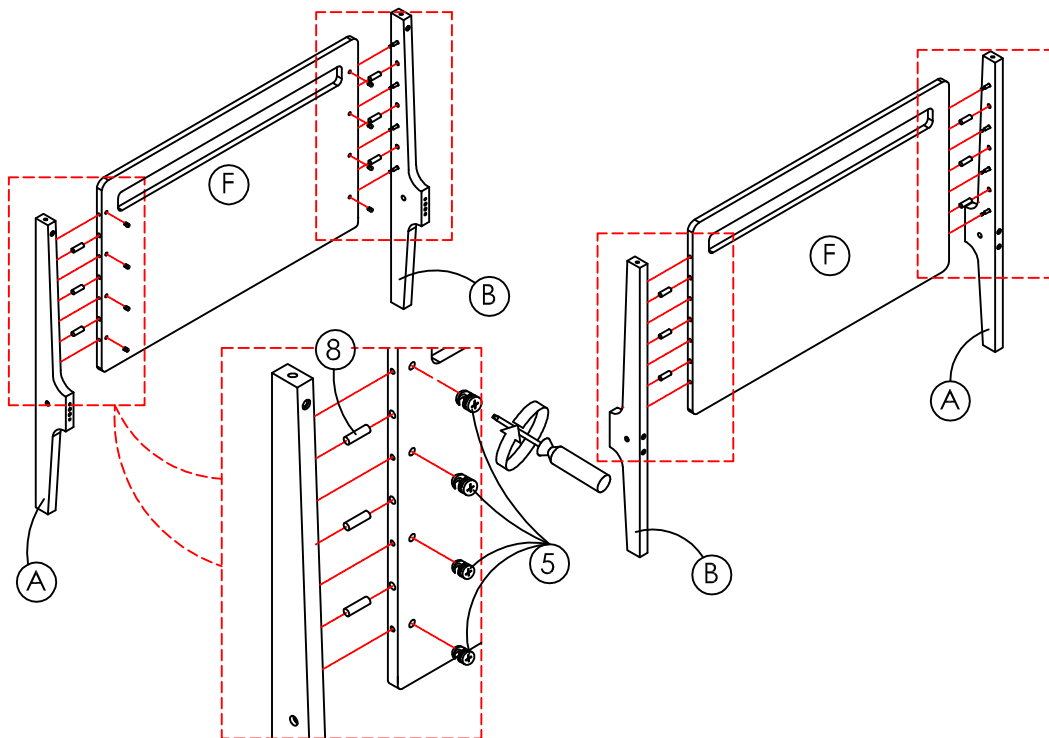




STEP 1

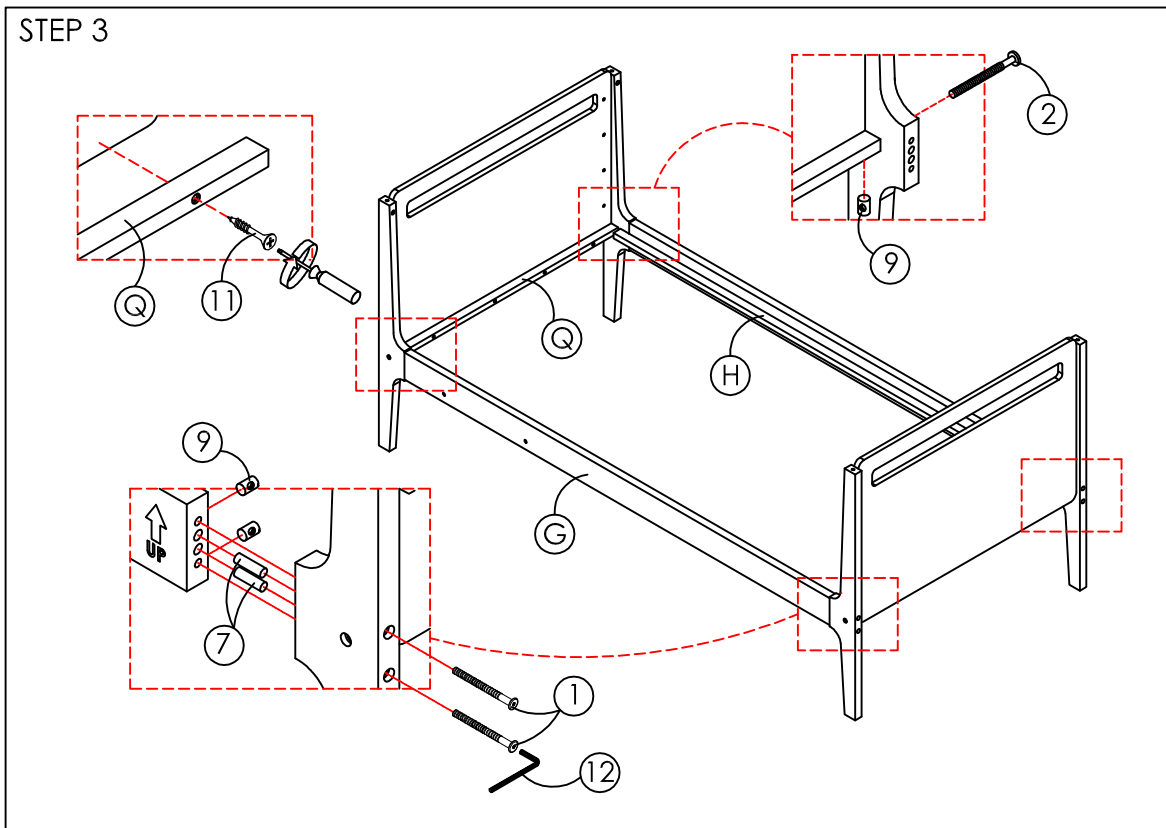


STEP 2

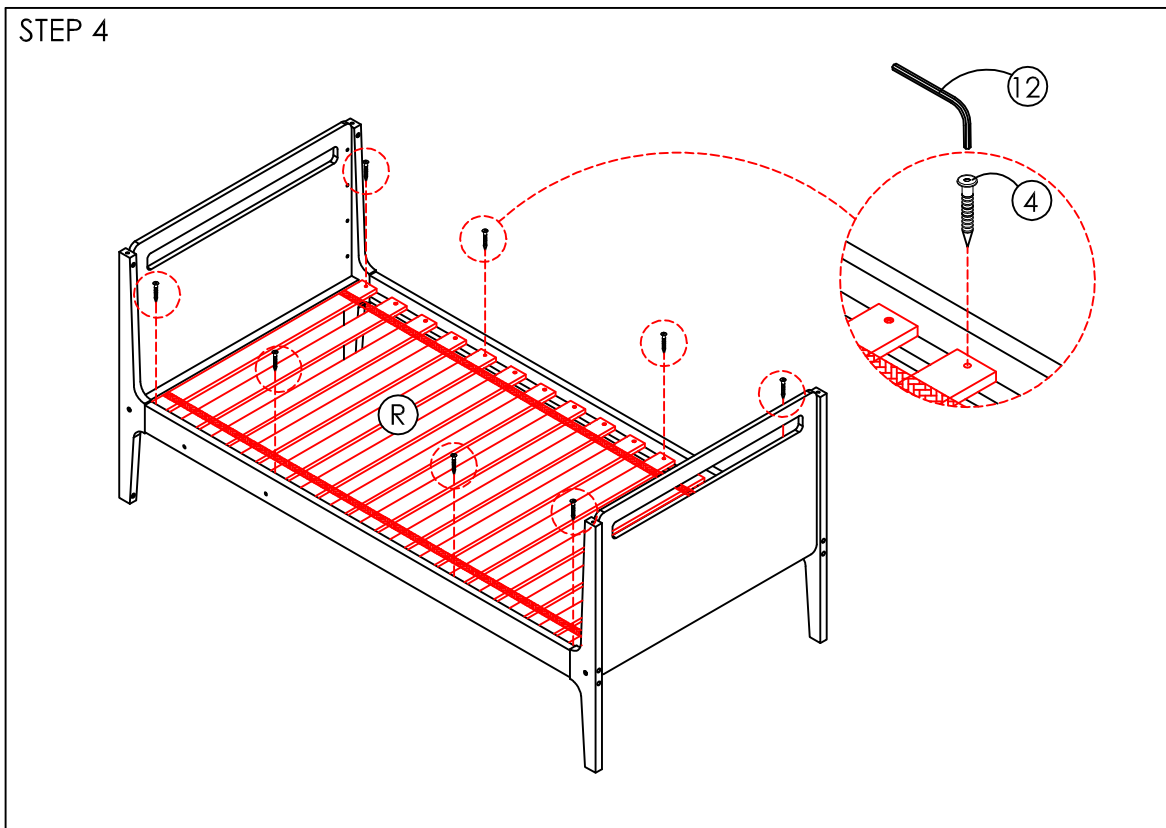




STEP 3

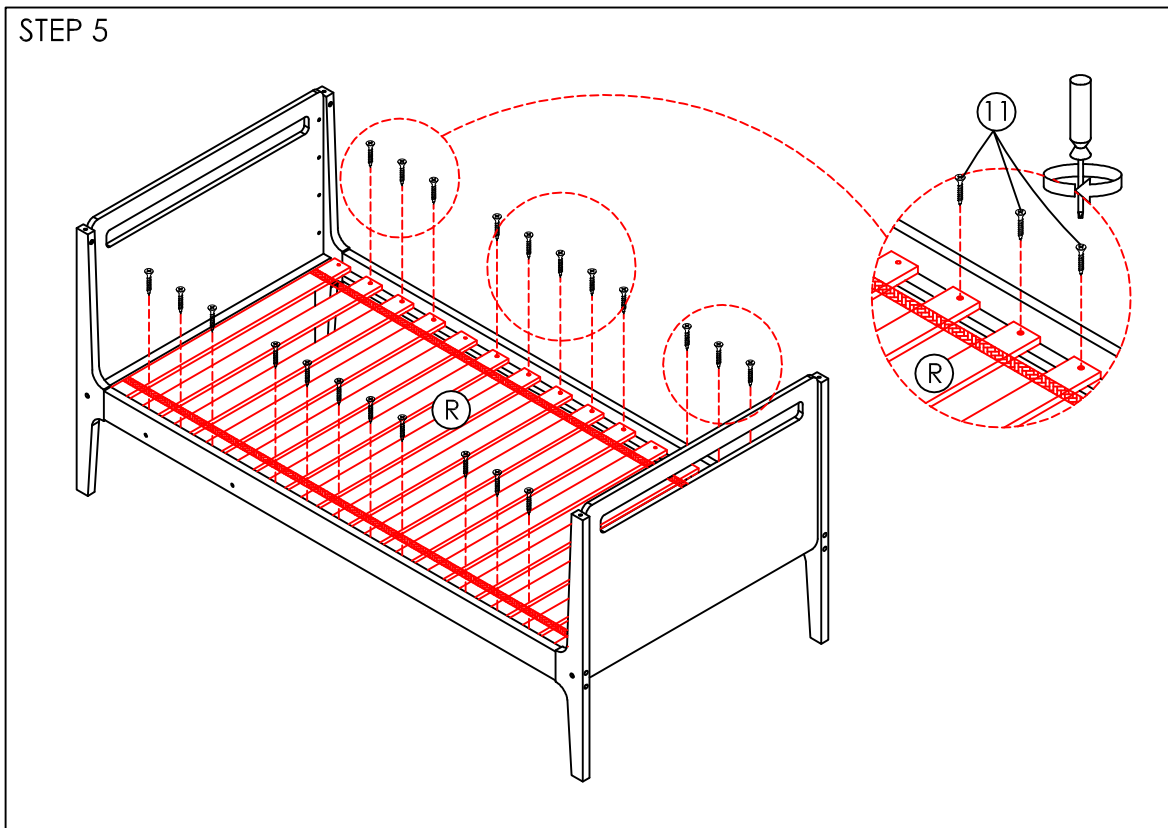


STEP 4

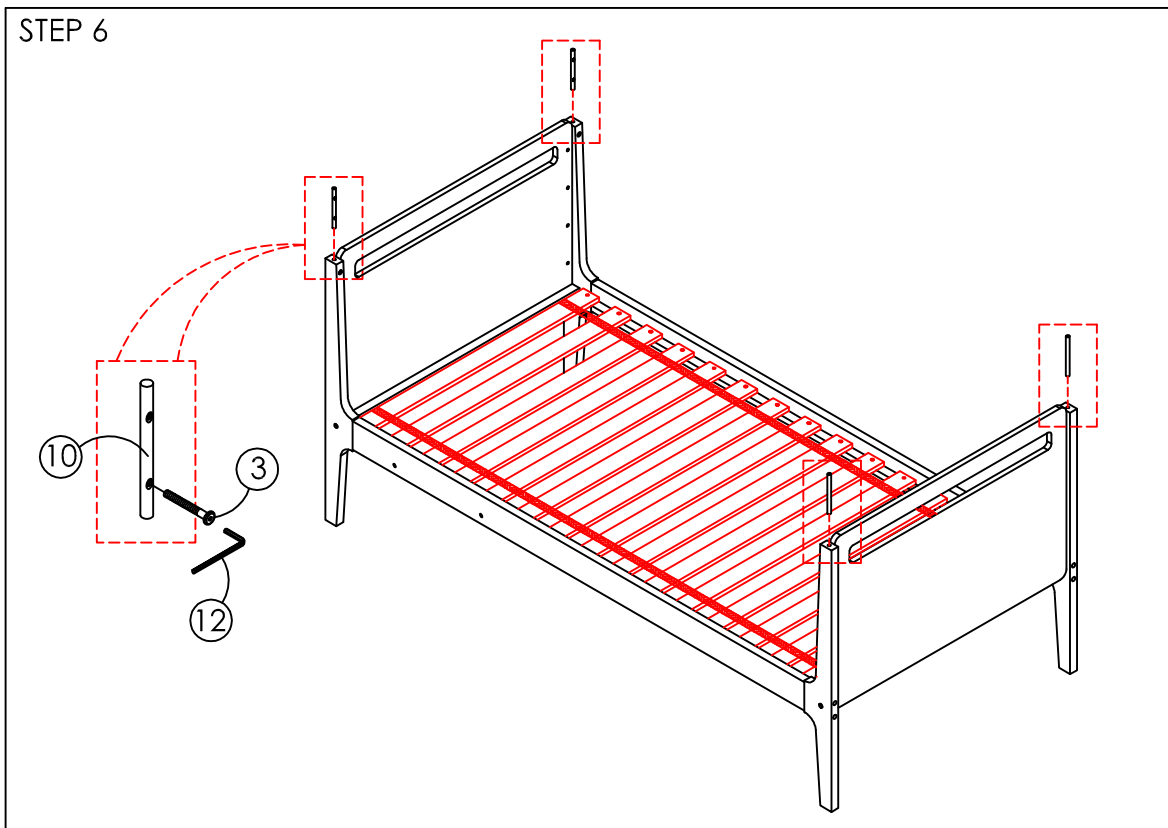




STEP 5

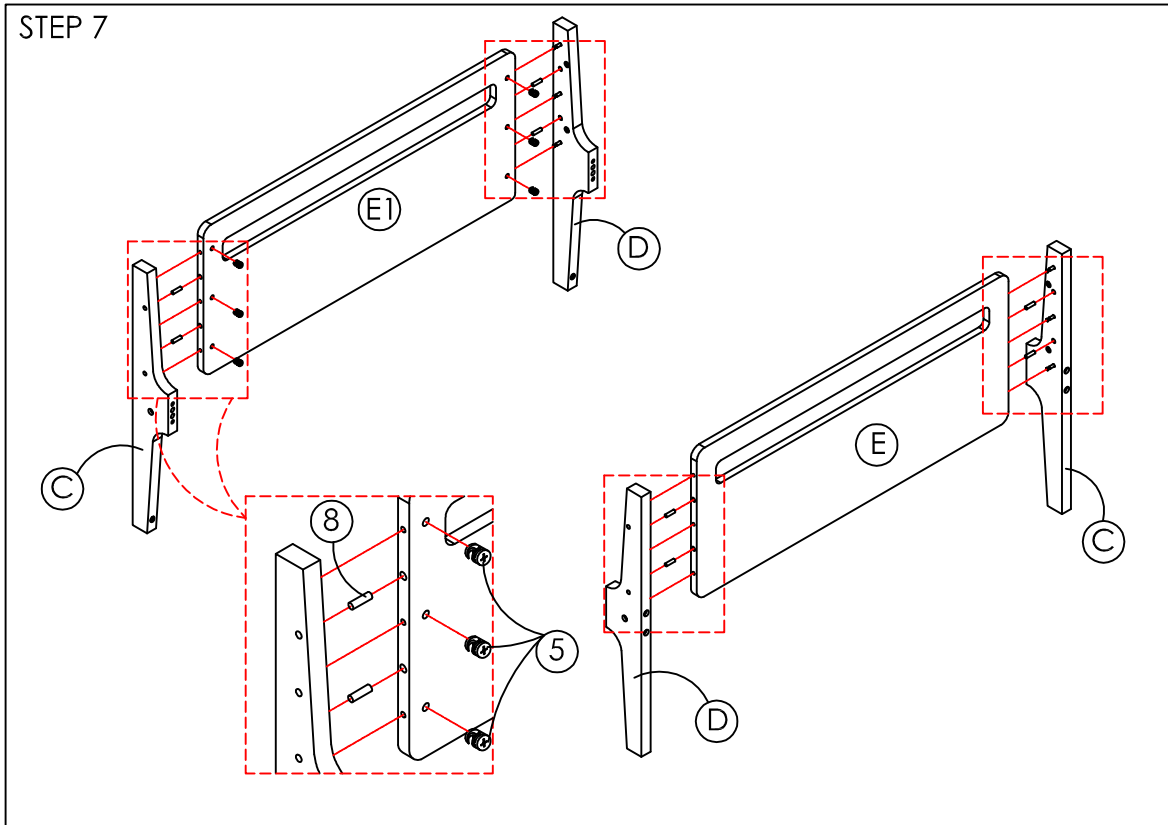


STEP 6

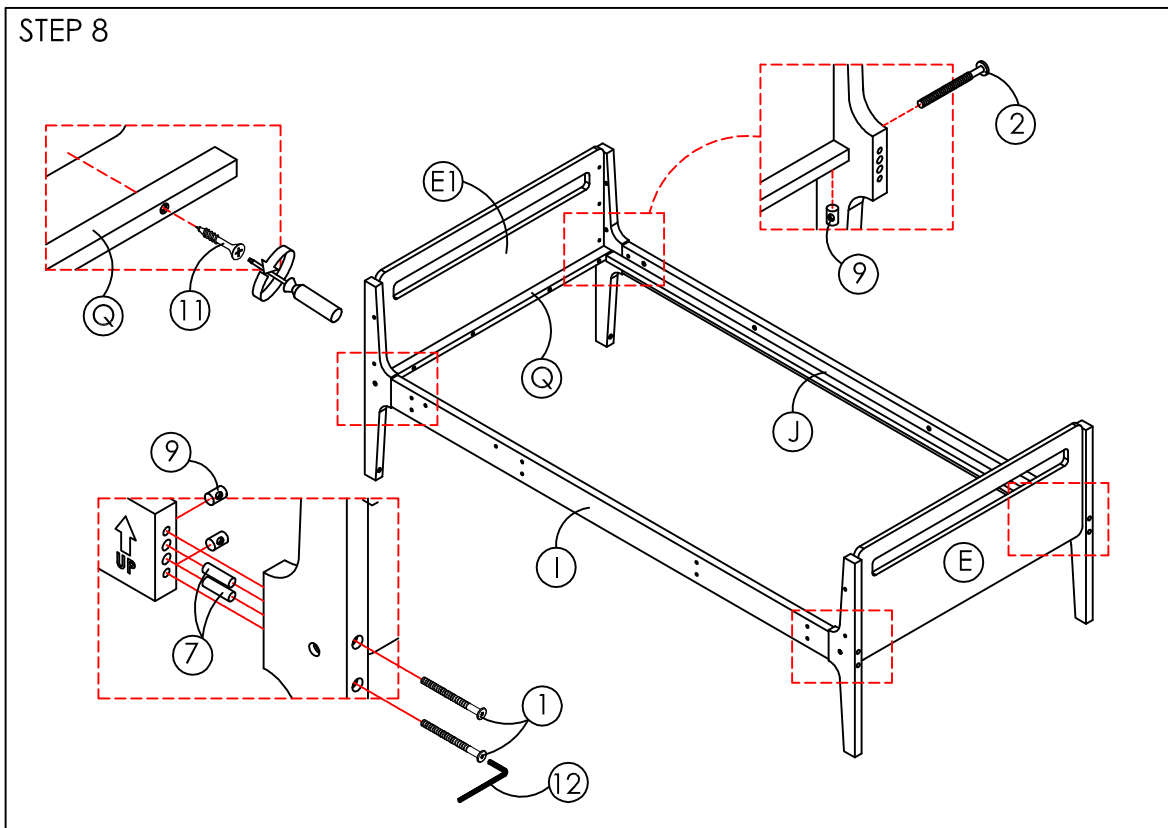




STEP 7

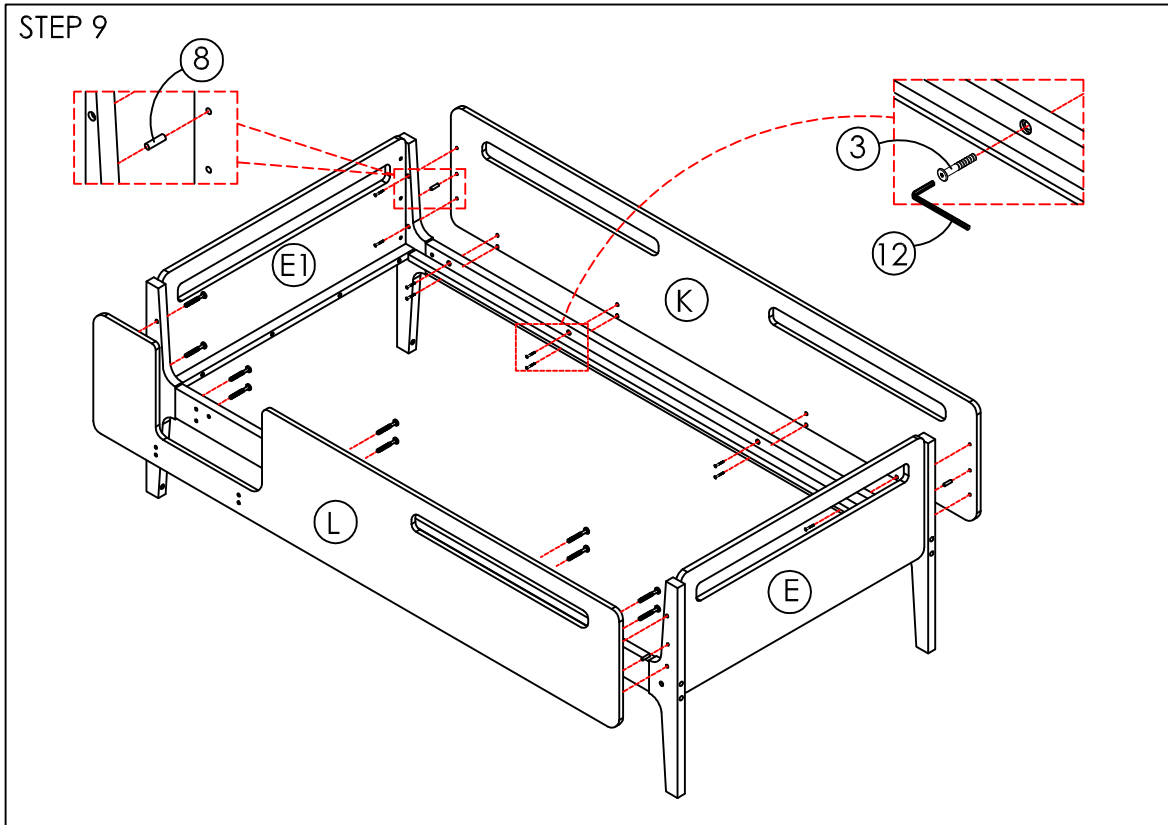


STEP 8

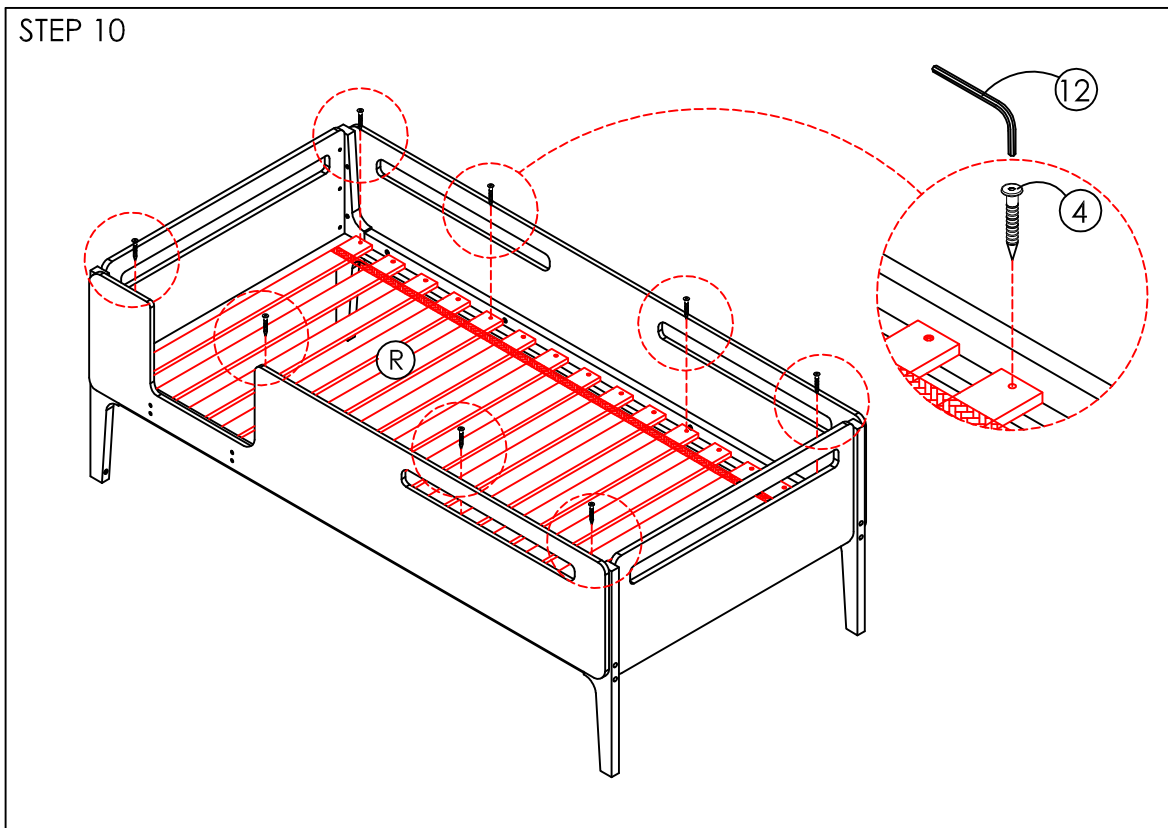




STEP 9



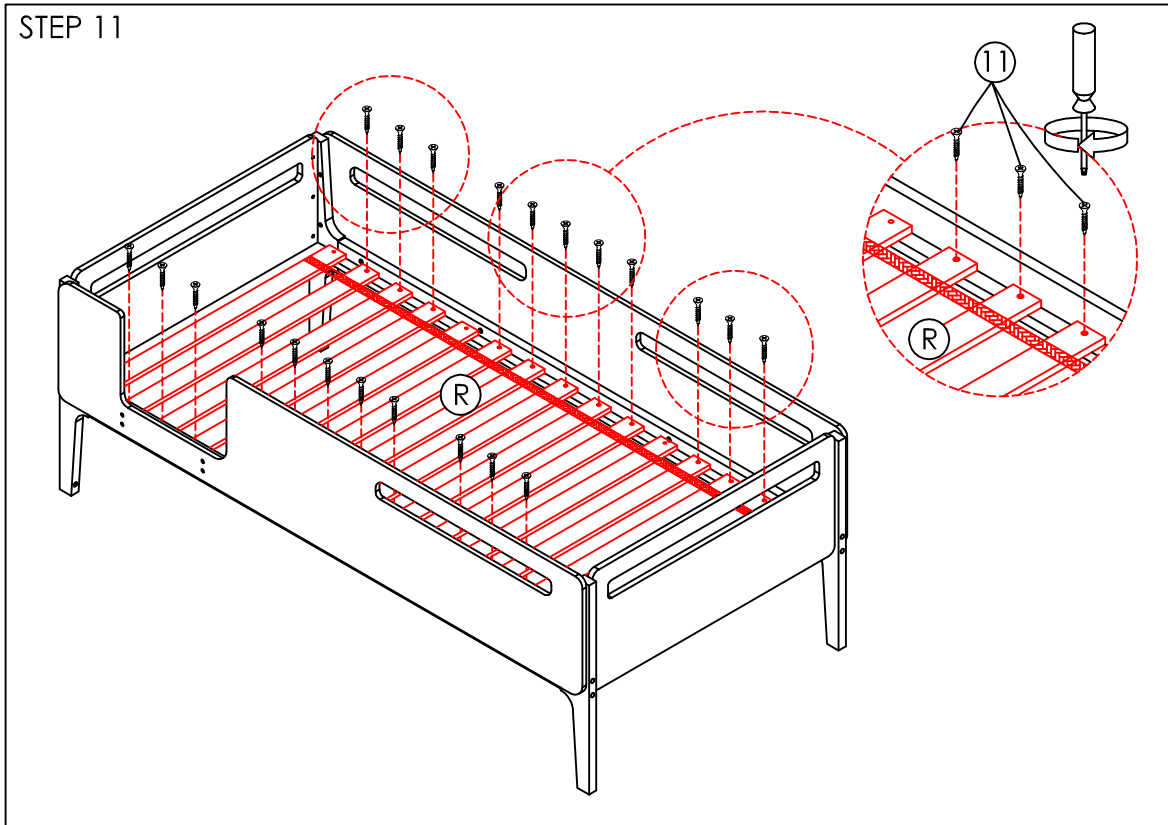
STEP 10



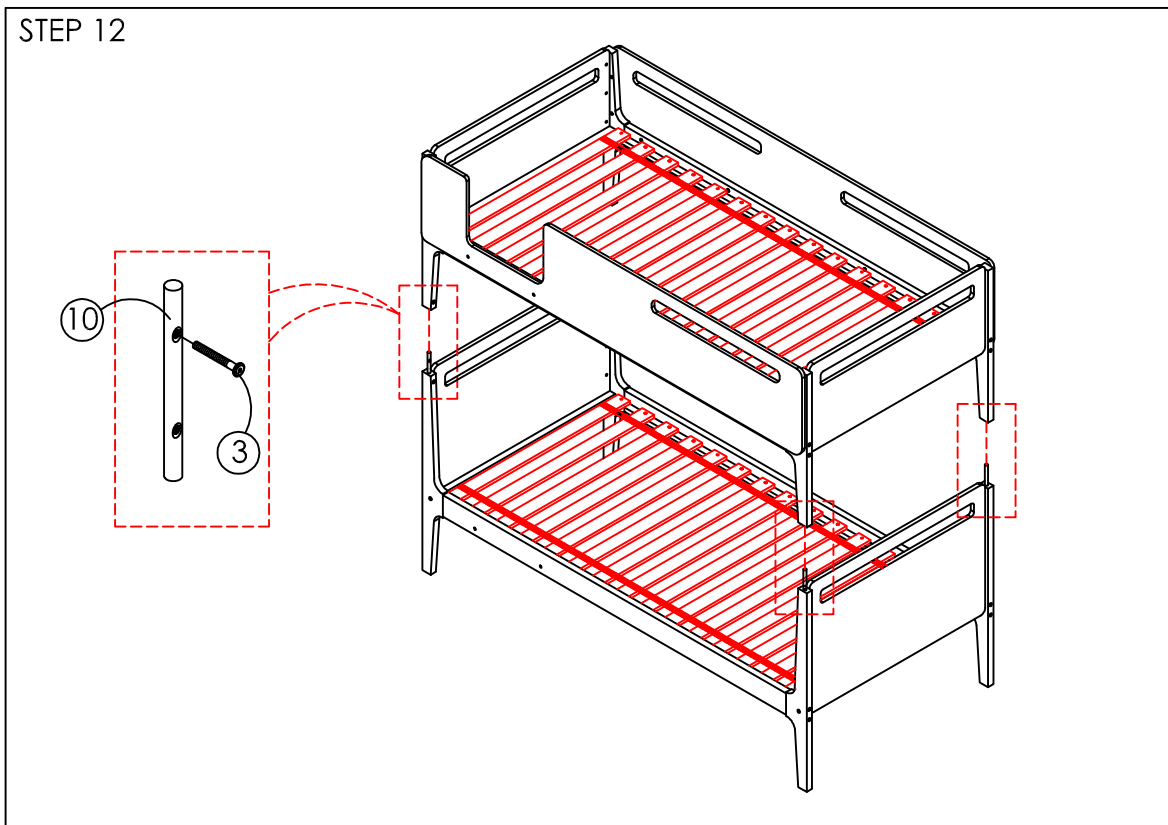




STEP 11

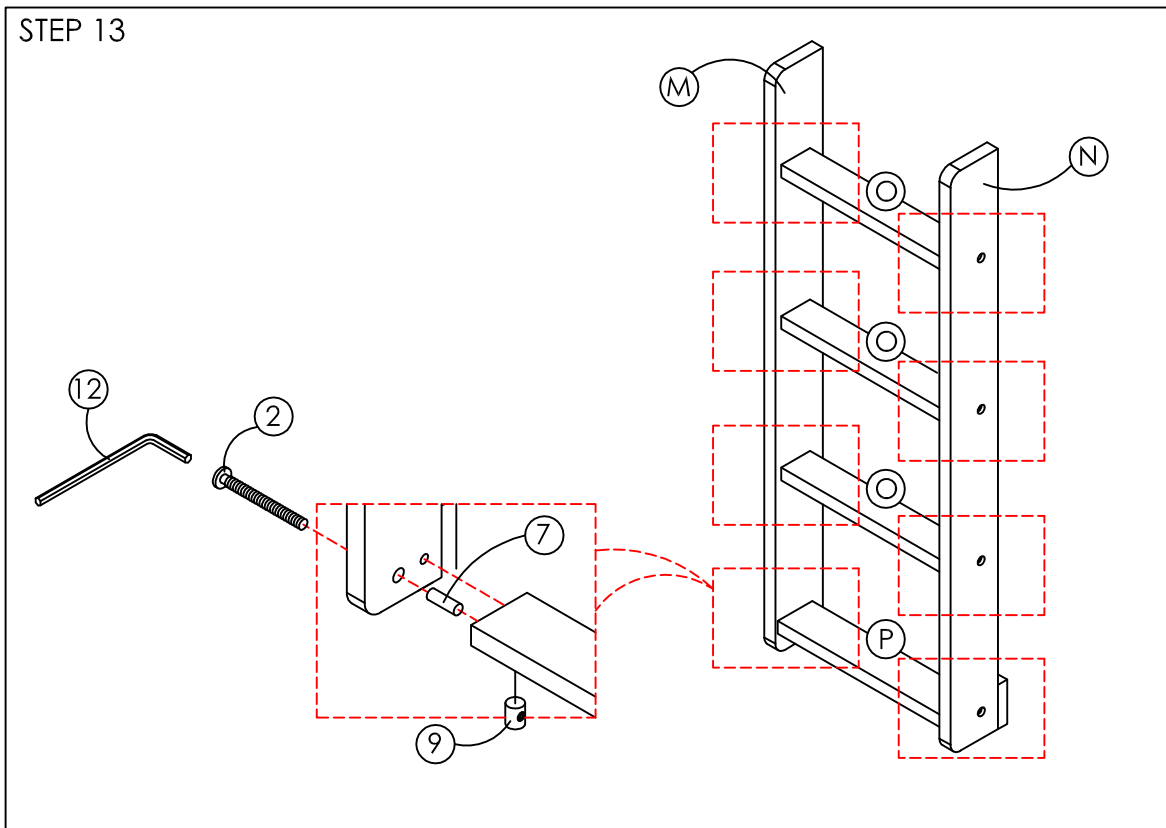


STEP 12

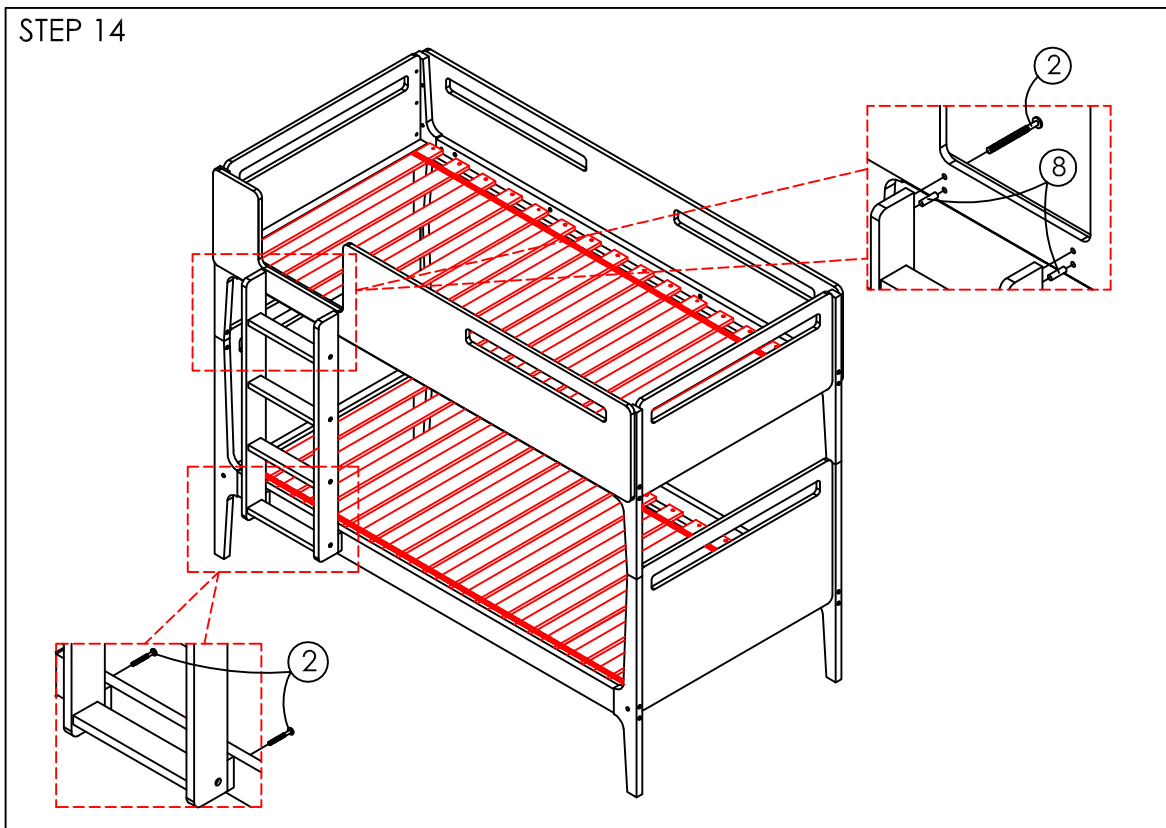




STEP 13

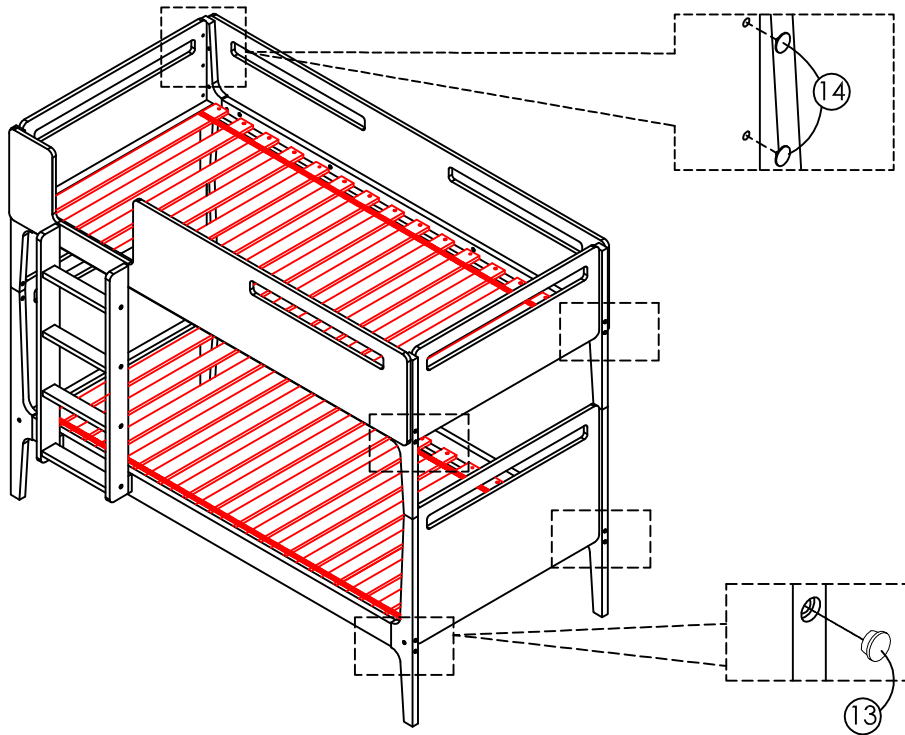


STEP 14

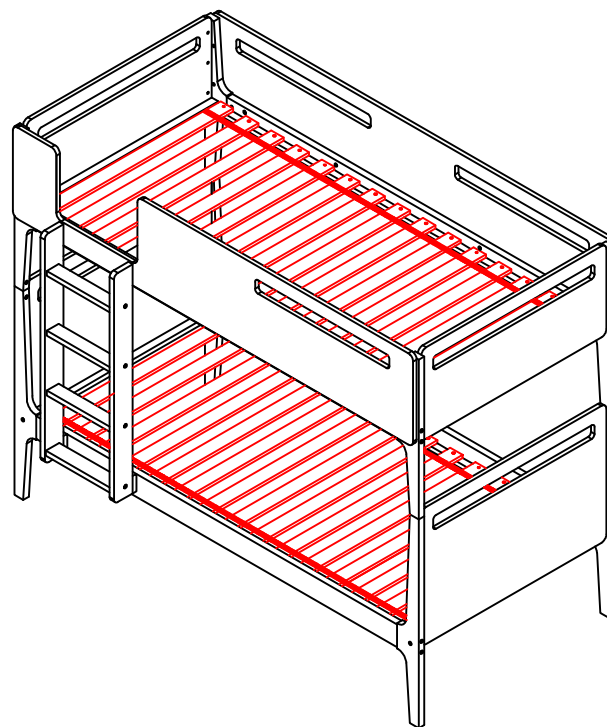




STEP 15



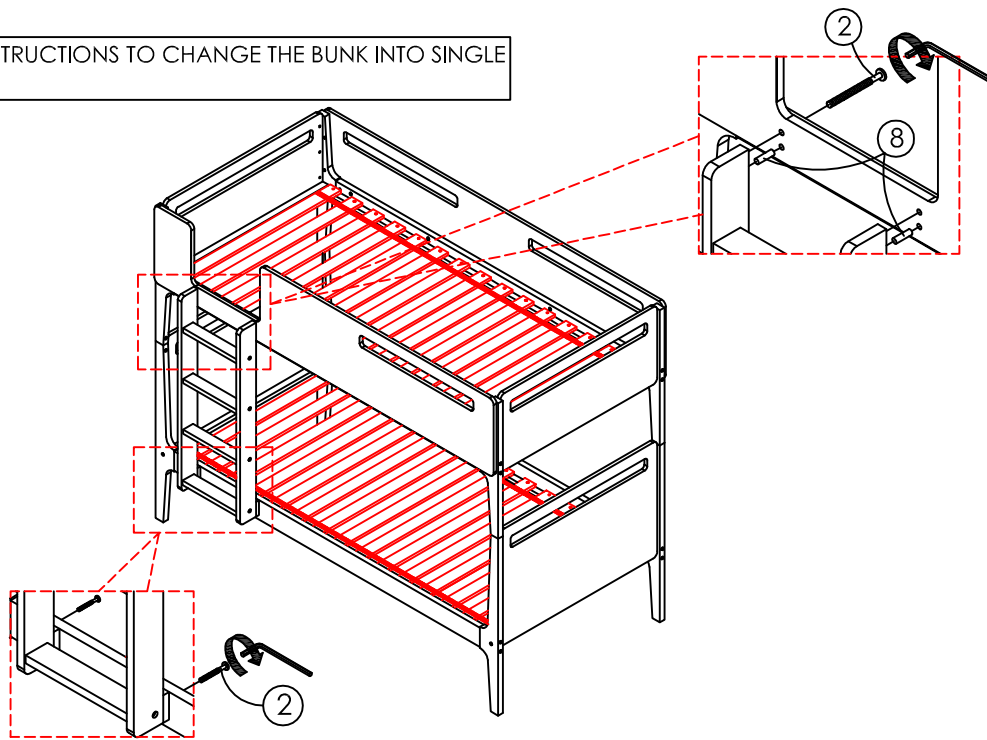
STEP 16





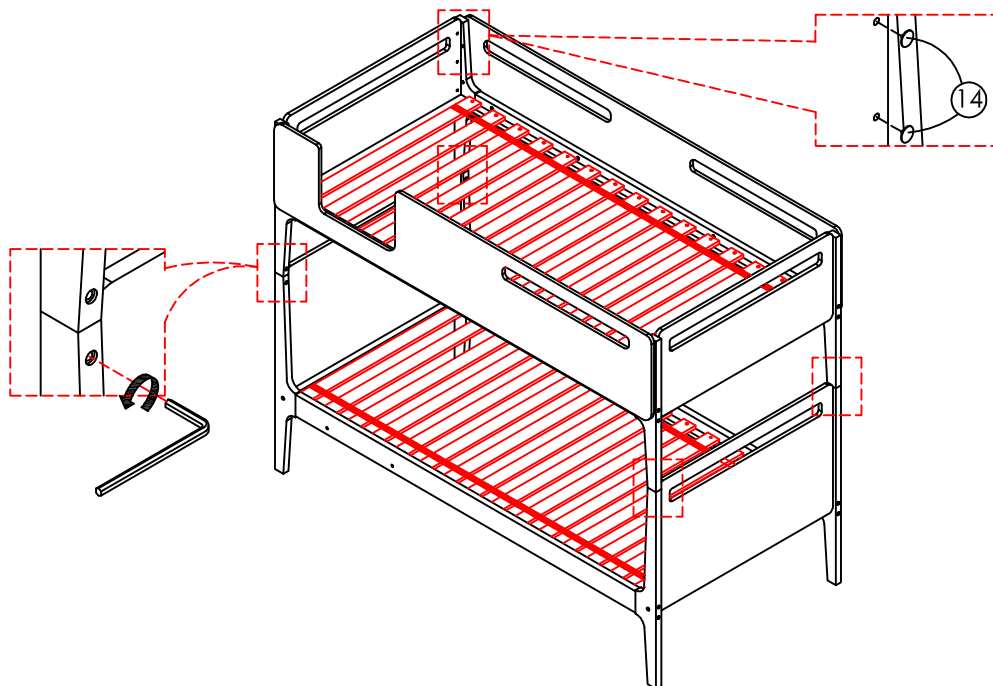
**STEP 17**

NOTE : INSTRUCTIONS TO CHANGE THE BUNK INTO SINGLE BEDS.



Take out the ladder from bed.

**STEP 18**

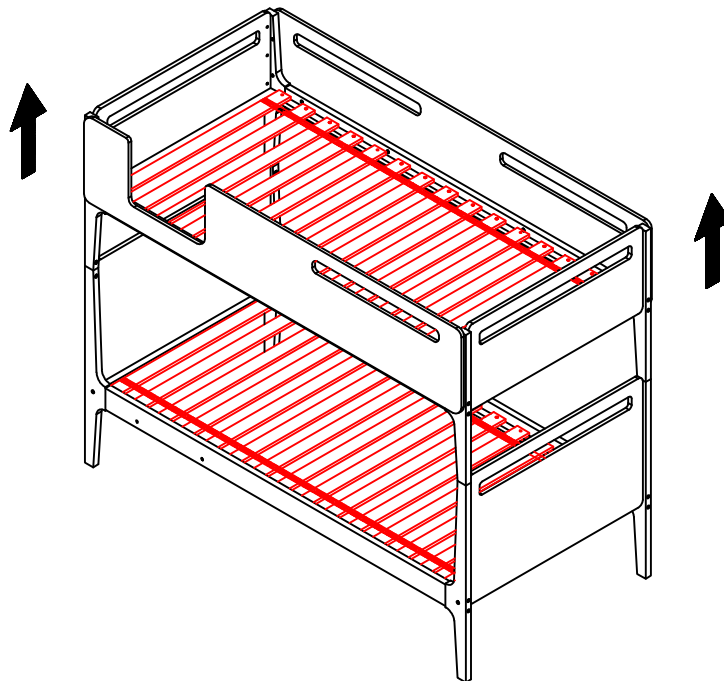


Remove the plastic cap and Jcbc screw as shown in picture.



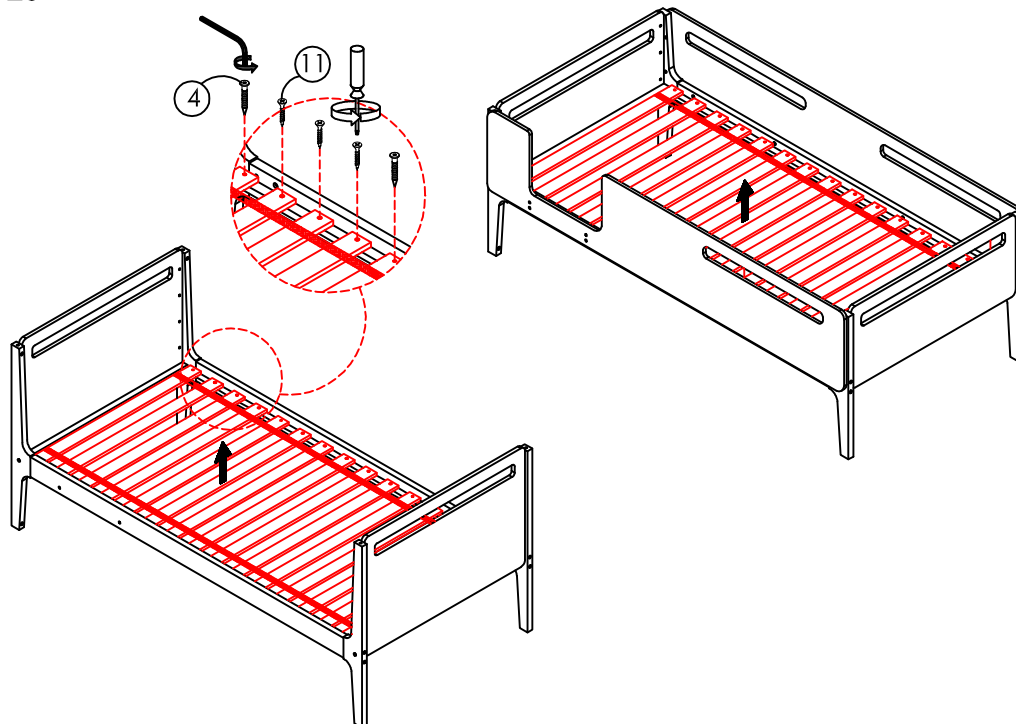


STEP 19



Lift the upper bed.

STEP 20

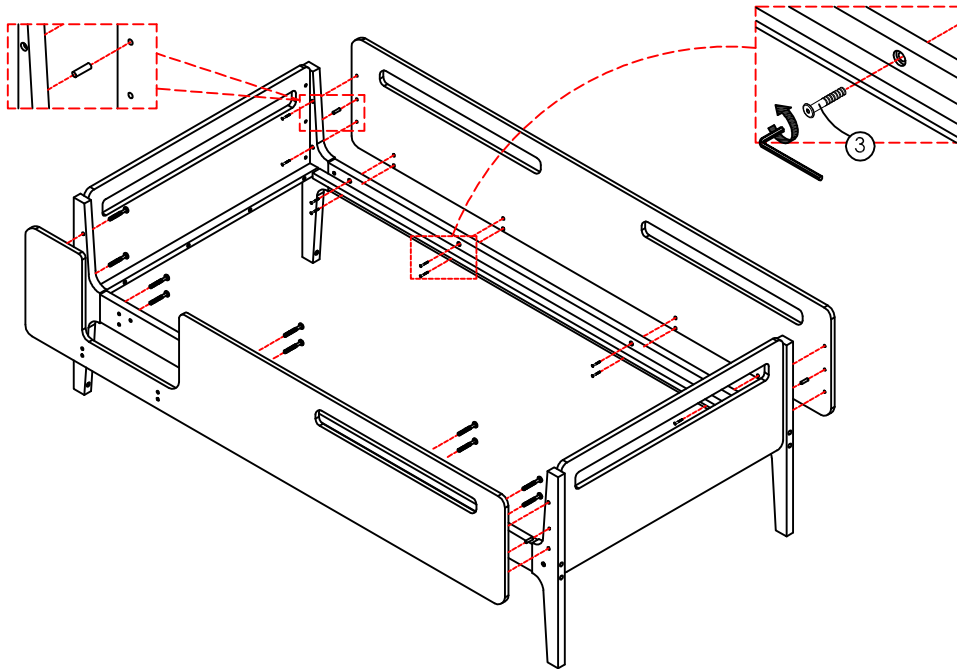


Unscrew the JCBC-W and WOOD SCREW . Then lift the slat.



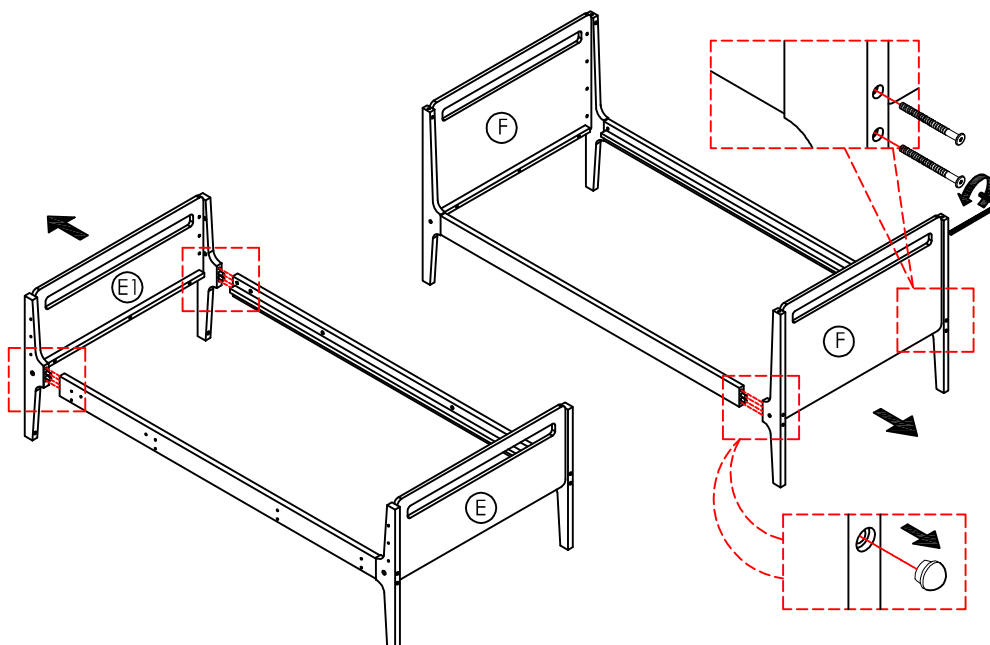


STEP 21



Remove guard rail panel.

STEP 22

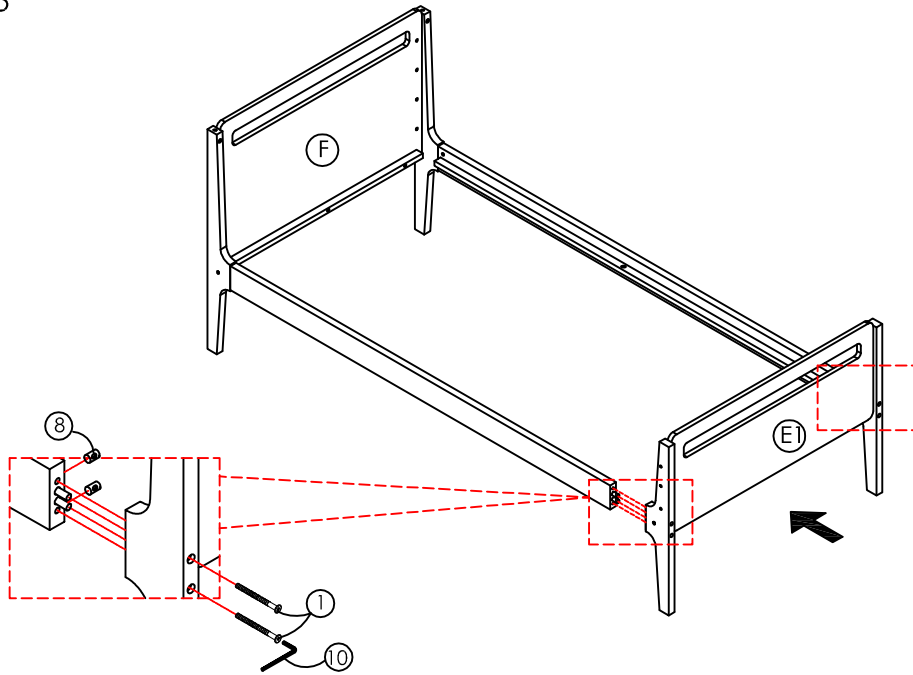


Remove wooden cap then loose the JCBC at upper bunk headboard (E1) and lower bunk footboard (F).



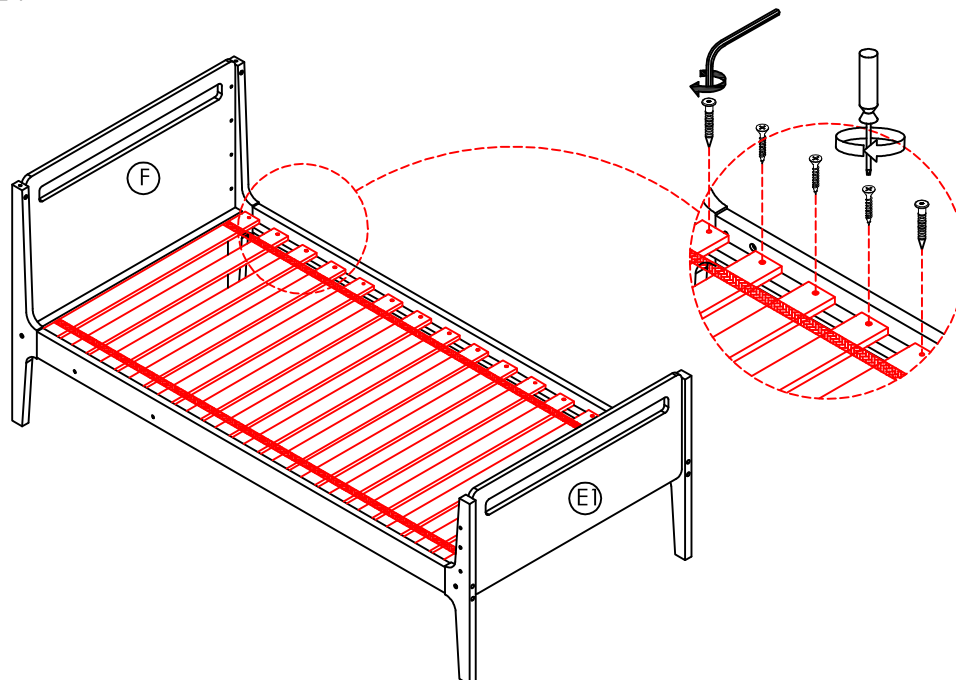


STEP 23



Replace the lower bunk footboard (F) with the upper bunk headboard (E1) as shown in picture. Fasten the JCBC and insert the wooden cap.

STEP 24

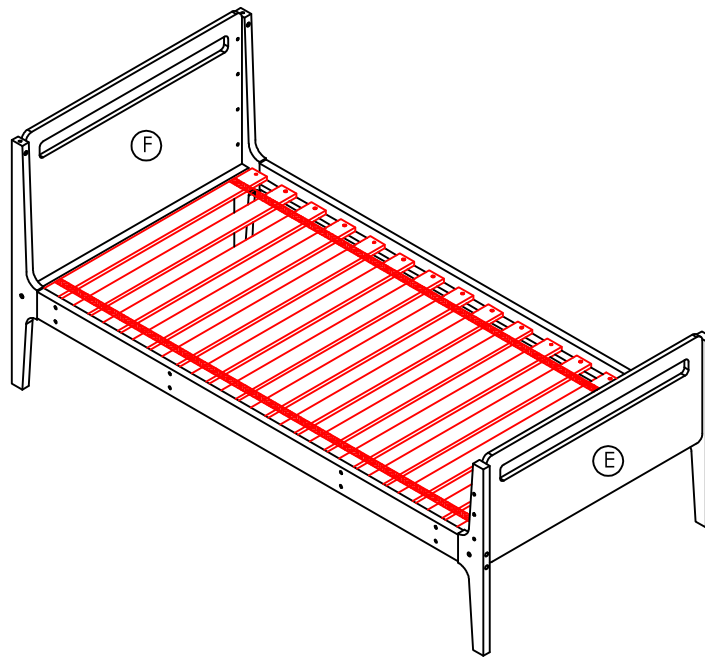


Tighten slat with JCBC-W and WOOD SCREW as shown in picture.

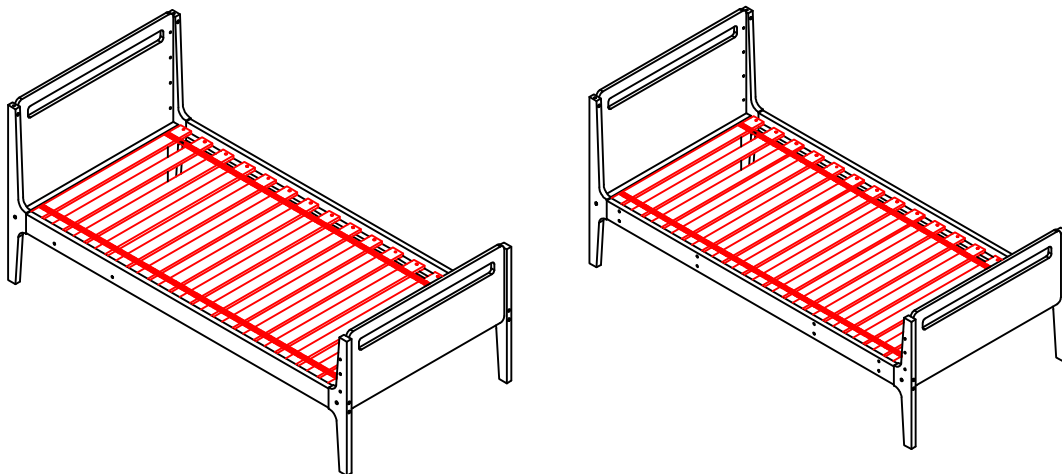




STEP 25



Repeat the same step 23 - 24 to construc another single bed.



**Additional Information:**

- For complete product information, images and dimension diagrams please visit the website [www.birlea.com](http://www.birlea.com)
- If you have any issues with your item please contact the retailer directly you purchased it from who will be able to resolve any issues with Birlea.
- Why don't you send us photos of your assembled furniture to [info@birlea.com](mailto:info@birlea.com) to be shared in our #birleahome feature on Instagram.

