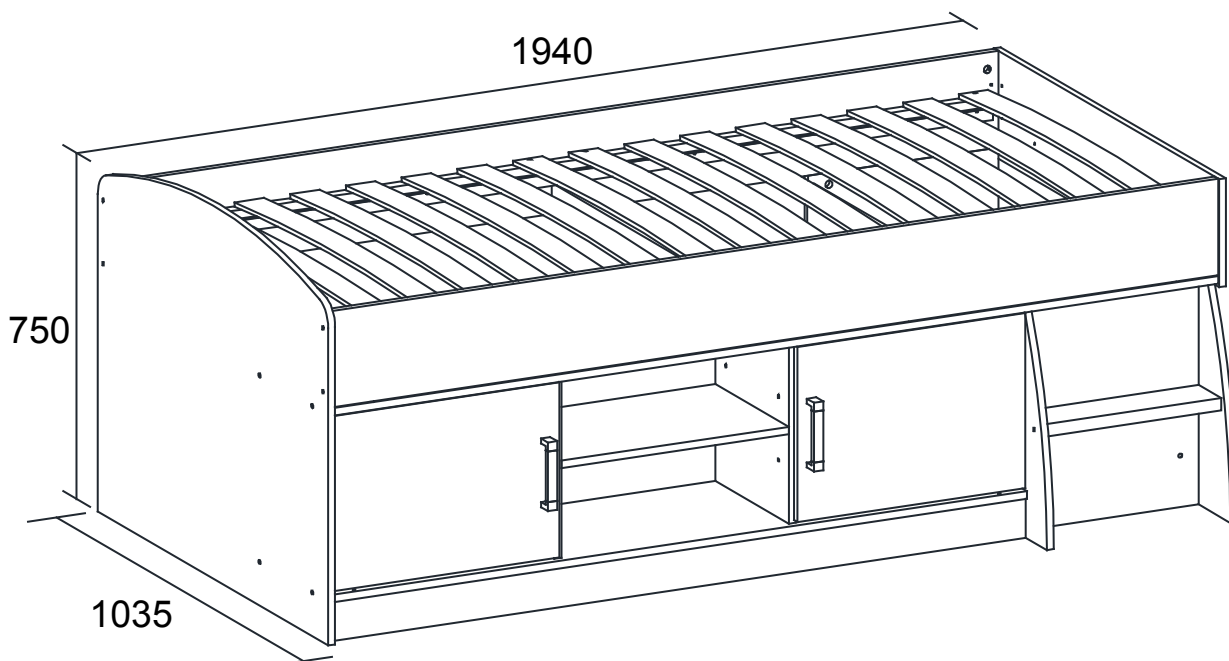


NEW OTTAWA CABIN BED ASSEMBLY INSTRUCTIONS

Thank you for purchasing the **NEW OTTAWA CABIN BED**. Please read the instructions carefully to ensure safe operation of the product.



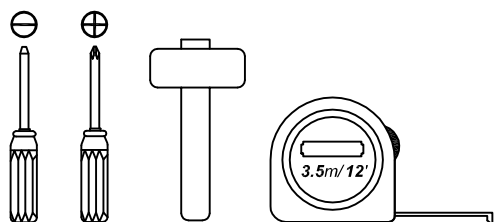
Size: (W)1940 x (D)1035 x (H)750mm
Colour : Blue / Pink

PLEASE READ this sheet prior to assembly to familiarise yourself with the various stages of construction.

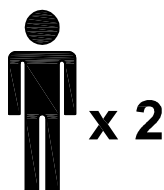
Carefully open the pack supplied and check the contents against the parts and fittings check list. Do not destroy any of the packaging until you are certain that you have all the necessary parts for the assembly.

CAUTION: There are small components used in the construction of this unit. These loose items should be kept away from young children whilst assembling your unit to avoid the danger of choking hazards.

Tools Required



Person Required



Approximate Assembly Time



Batch No : PO# 952

Page 1 of 20

IMPORTANT - READ CAREFULLY - RETAIN THESE INSTRUCTIONS FOR FUTURE REFERENCE.

INFORMATION

- This product is intended for a maximum weight of **80kgs**. Do not exceed this weight.
- Due to the size of this product we recommend that it is assembled in the room intended for use.
- When you are ready to start, make sure that you have the right tools, plenty of space and a clean, dry area for assembly.
- Unwrap all packaging materials and place the components on top of the carton box or on a clean floor to prevent it from scratching.
- Check the pack and make sure you have all the parts listed.
- Ensure that this product is fully assembled as **illustrated** before use.
- Check all screws or bolts are tightened and inspect regularly
- This product should only be used on firm, level ground.
- Keep small parts out of reach of children.
- Make sure the legs remain in contact with the ground.
- Tools not included.

WARNINGS

- **DO NOT** use power tools to construct this product.
- **DO NOT** tighten screws until fully assembled.
- **DO NOT** over tighten screws or bolts.
- **DO NOT** use this product if parts are missing, damaged or worn.
- **DO NOT** sit or stand on the product.

CARE INFORMATION

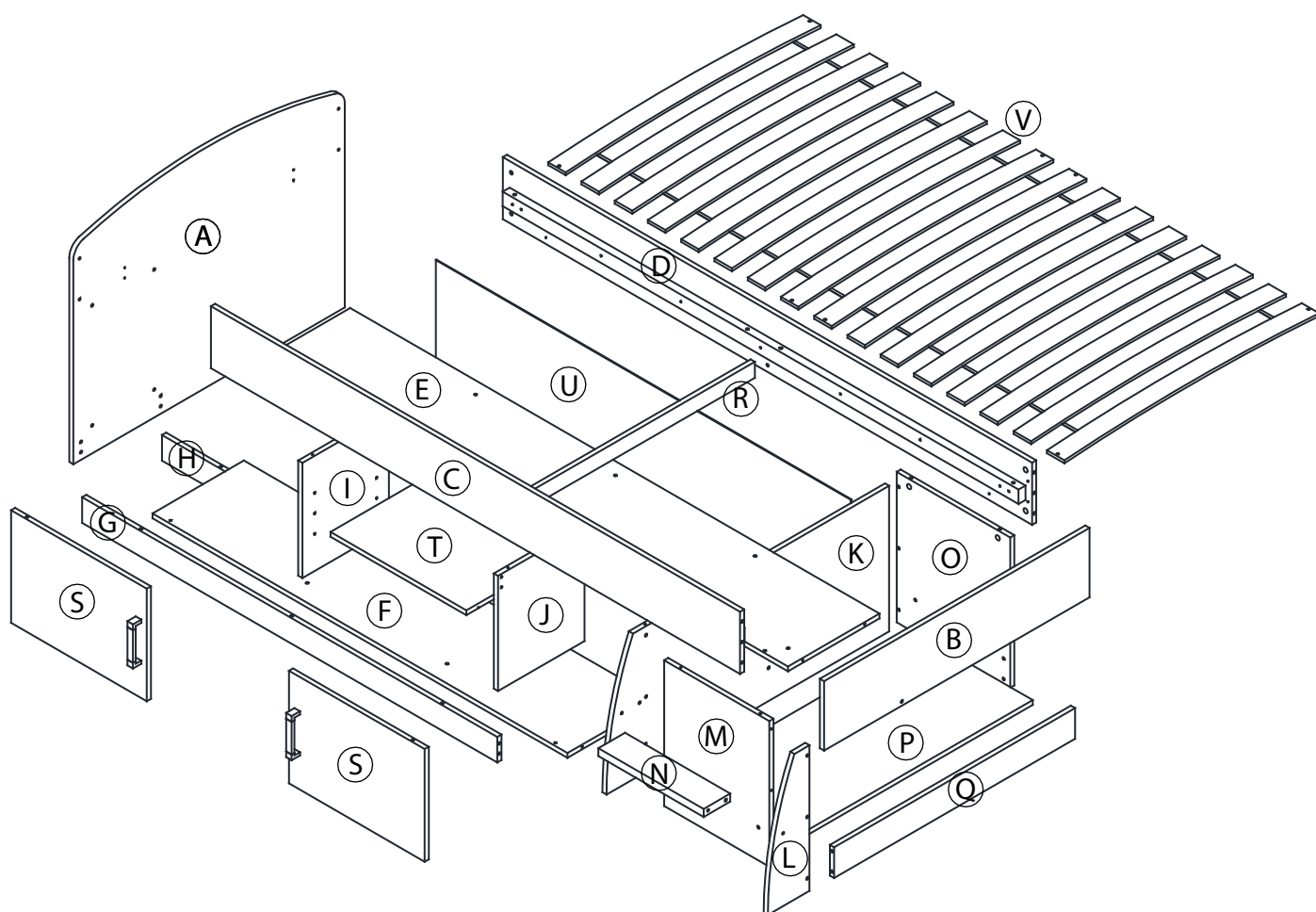
- Never use scourers, abrasives or chemical cleaners.
- To clean wipe with a sponge and warm soapy water. Do not use solvent based cleaners or detergents as they can bleach or damage the product.

Please check the pack contents before assembling the product. If any components are missing, please contact your retailer. The fittings pack contains small items that should be kept away from small children.

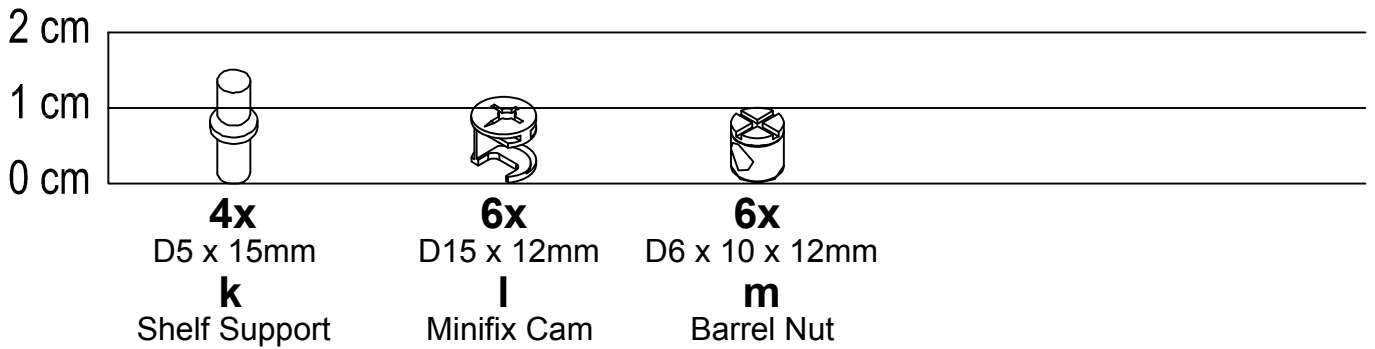
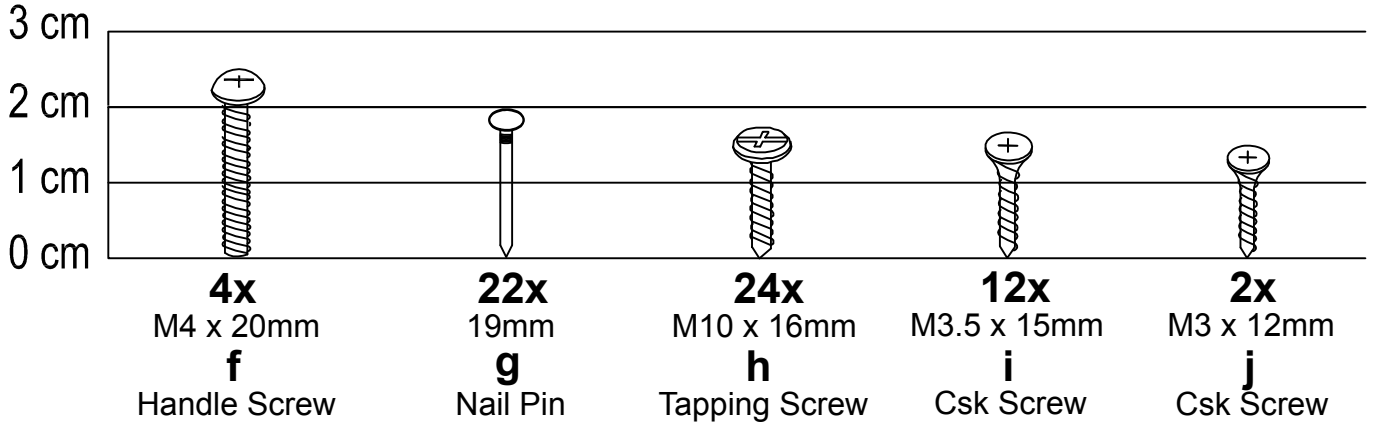
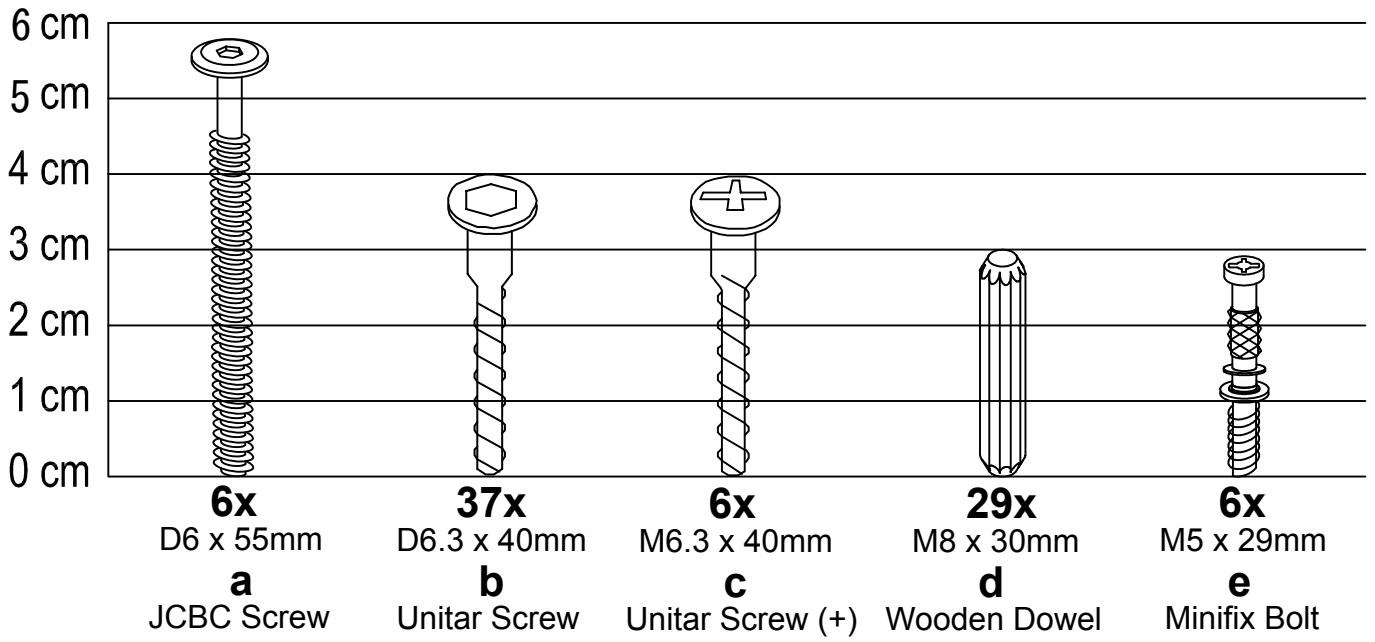
Parts

CODE	PART NAME	QTY
A	Head Board	1
B	Foot Board	1
C	Side Rail (Left)	1
D	Side Rail (Right)	1
E	Plank Support Front	1
F	Bottom Panel	1
G	Bottom Bar	1
H	Back Bar	1
I	Vertical Left	1
J	Vertical Right	1
K	Ladder Side (Left)	1

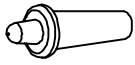
CODE	PART NAME	QTY
L	Ladder Side (Right)	1
M	Ladder Back Panel	1
N	Ladder Step	1
O	Back Board	1
P	Bottom Panel Small	1
Q	Support Bar	1
R	Vertical Support Panel	1
S	Door (Left / Right)	2
T	Adjustable Shelf	1
U	Back Panel	1
V	Bend Slat	16



Fixings (to scale)

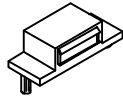


Fixings (not to scale)



4x

n
Door Spring



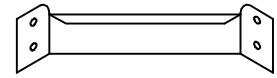
2x

o
Magnet



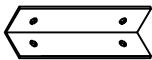
2x

p
Magnet Plate



4x

q
Rectangular Bed Bracket



2x

1.5 x 22 x 100mm

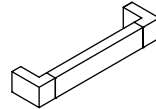
r
Bed Bracket



6x

2mm

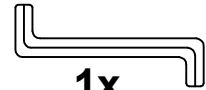
s
L-Bracket



2x

20 x 32 x 137mm

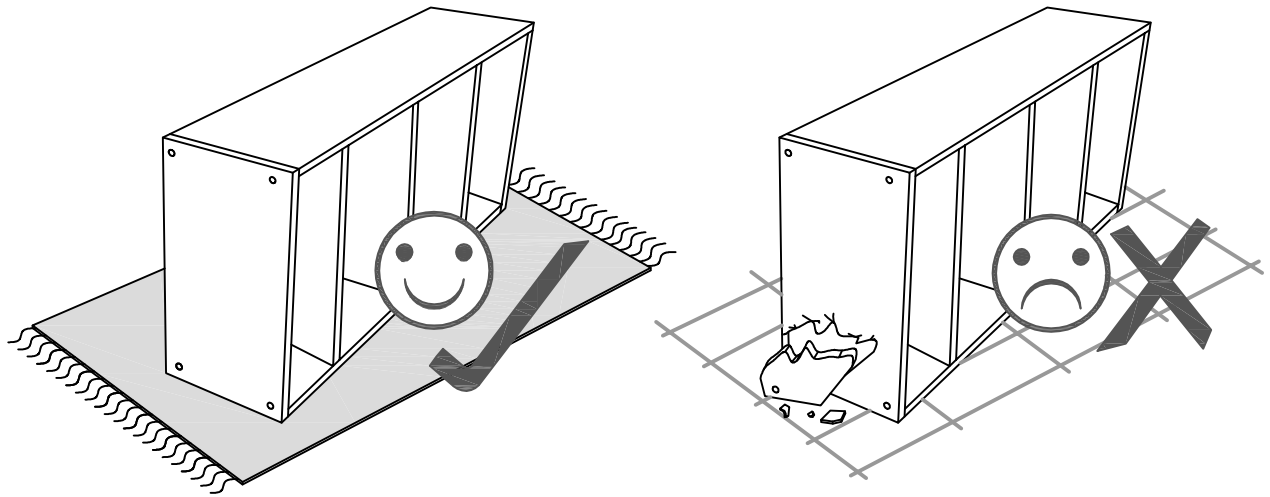
t
Handle



1x

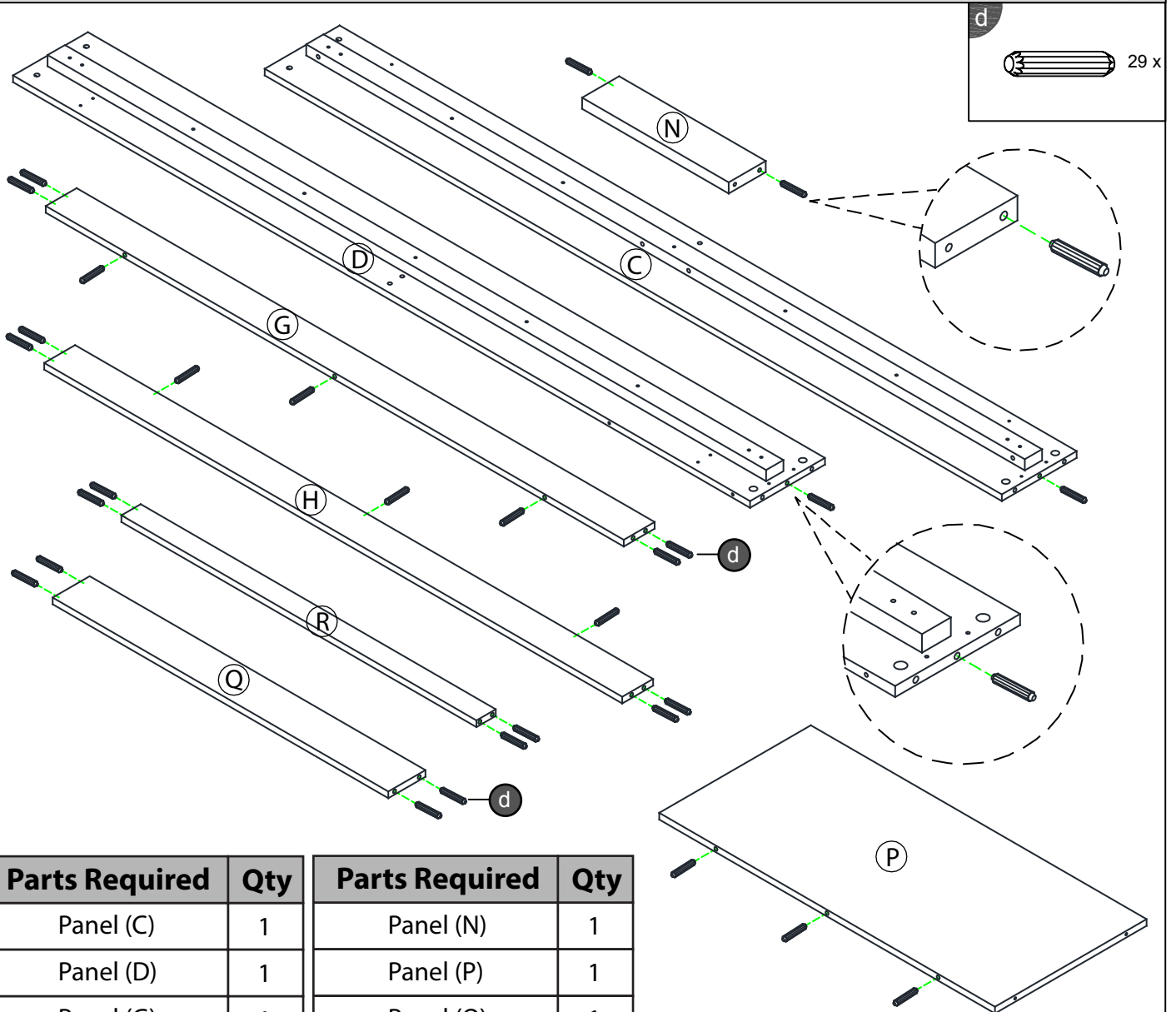
M4

u
Allen Key



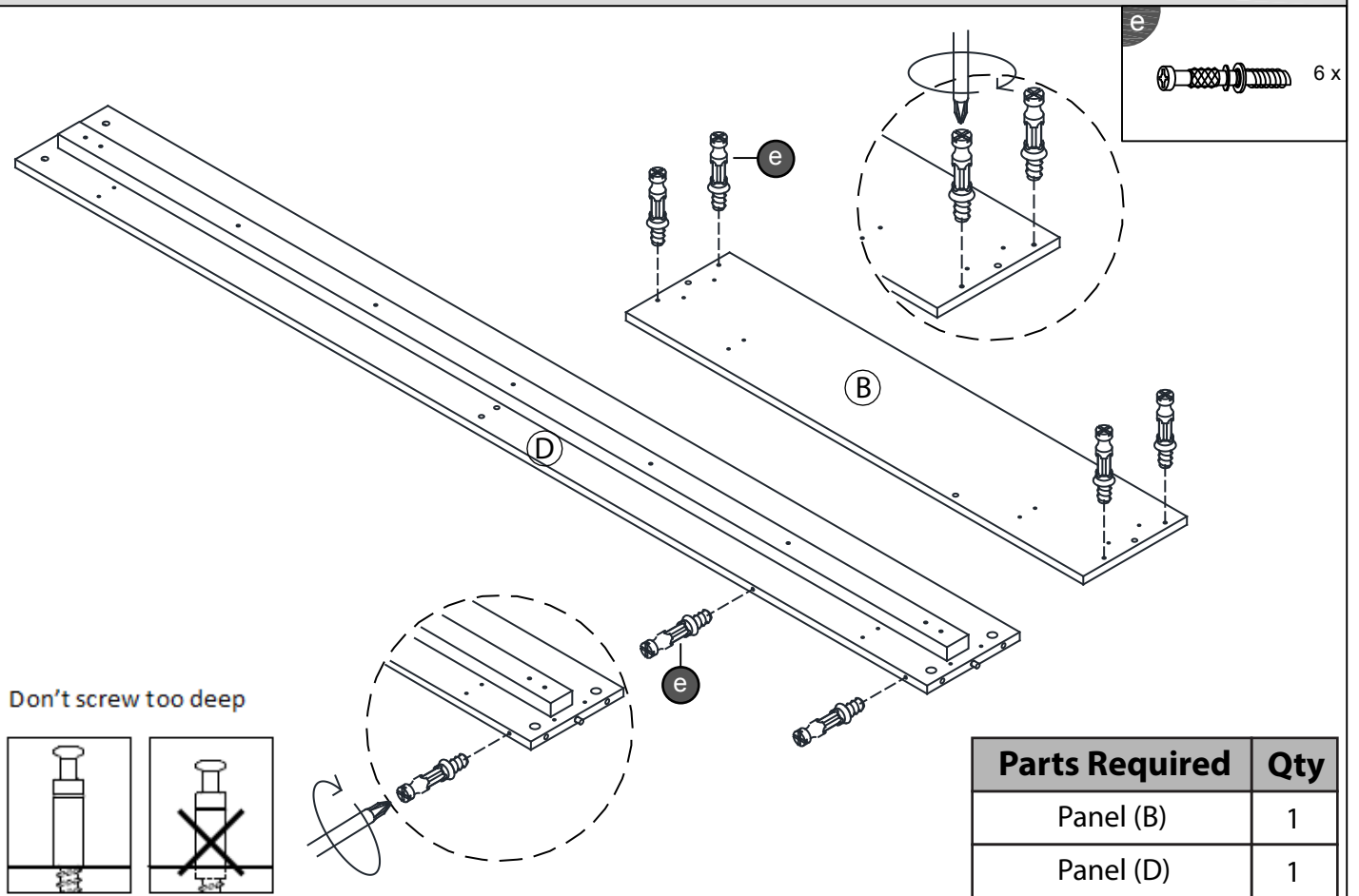
Layout Parts on Soft Surface

STEP 1

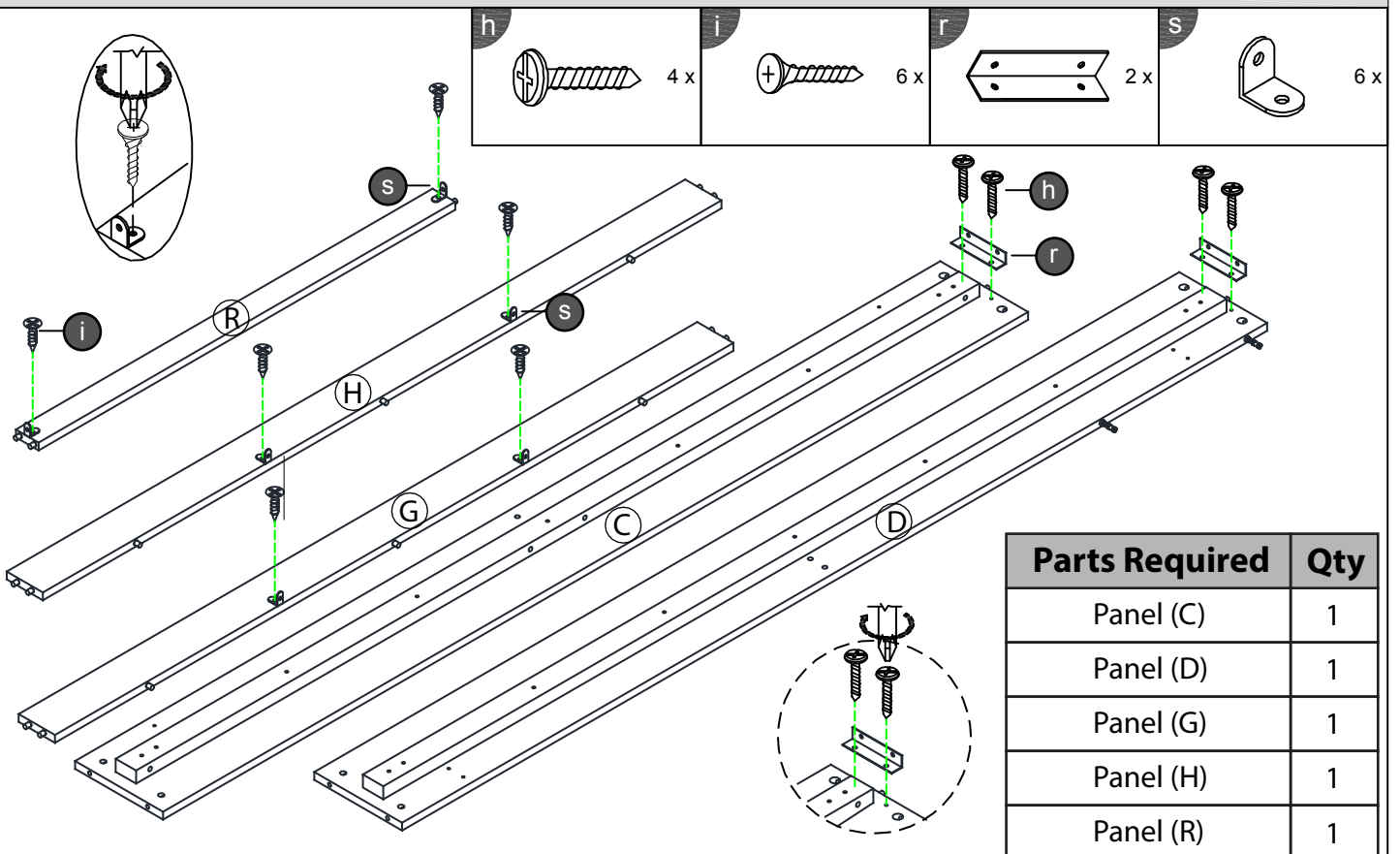


Parts Required	Qty	Parts Required	Qty
Panel (C)	1	Panel (N)	1
Panel (D)	1	Panel (P)	1
Panel (G)	1	Panel (Q)	1
Panel (H)	1	Panel (R)	1

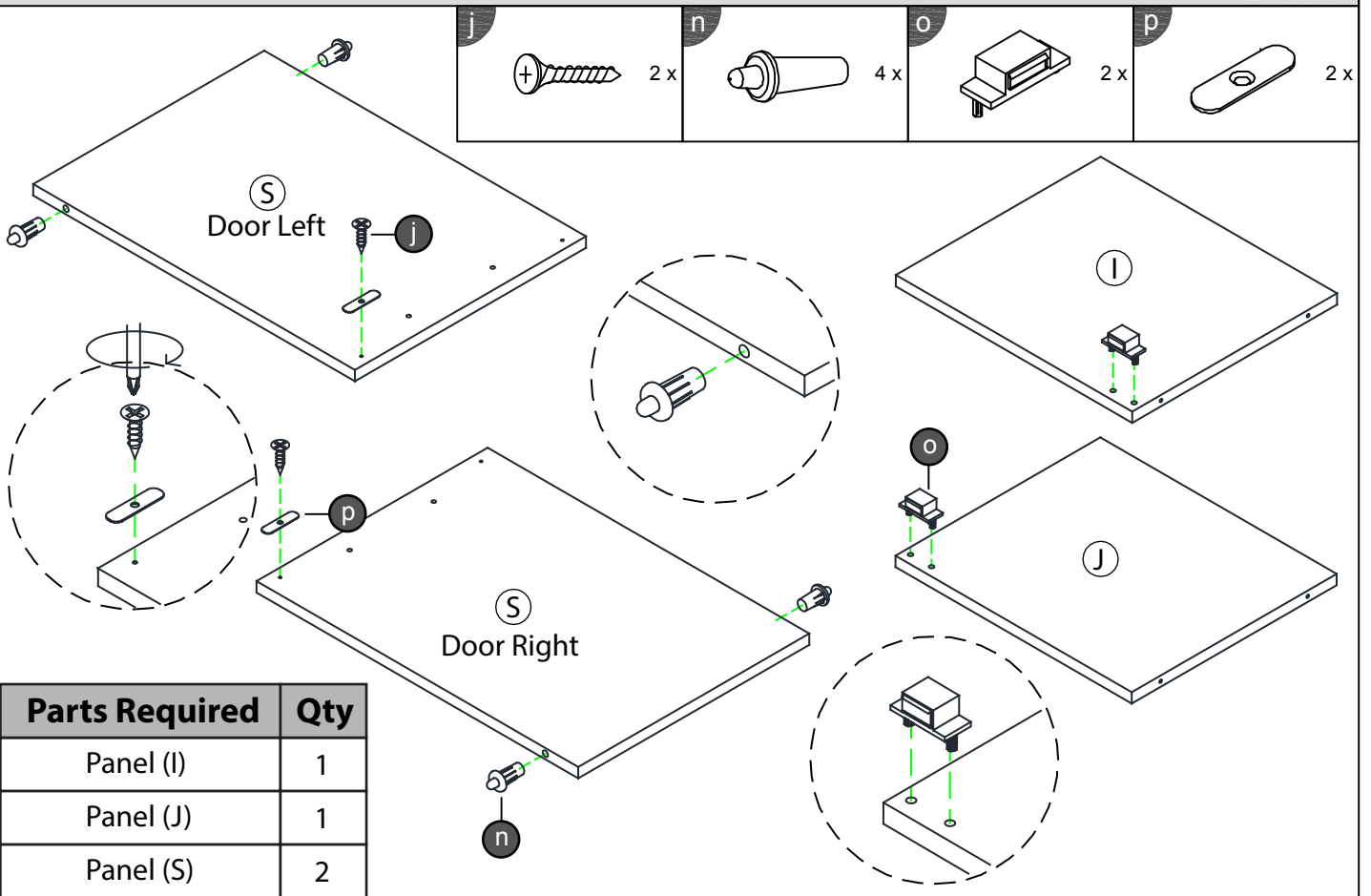
STEP 2



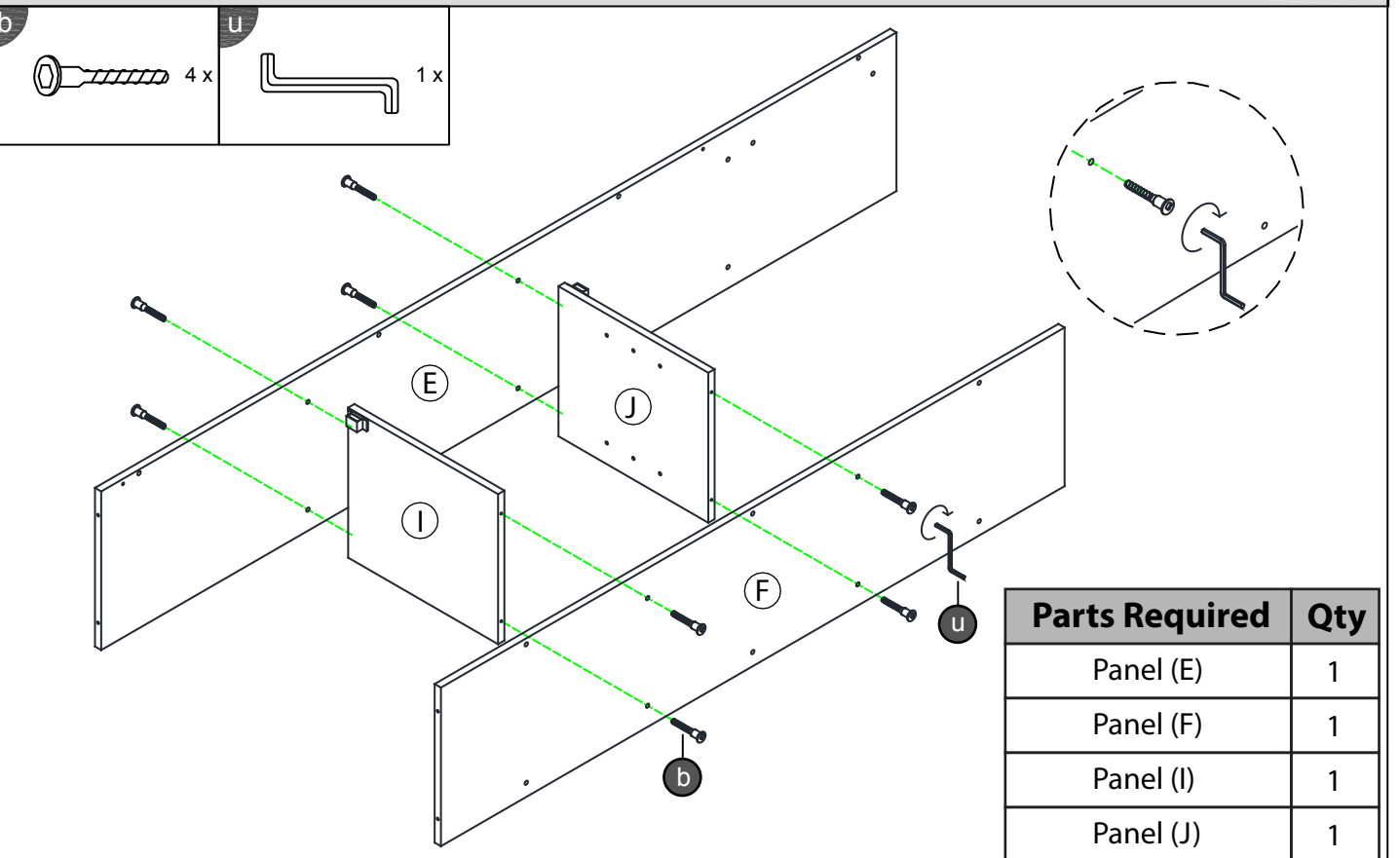
STEP 3



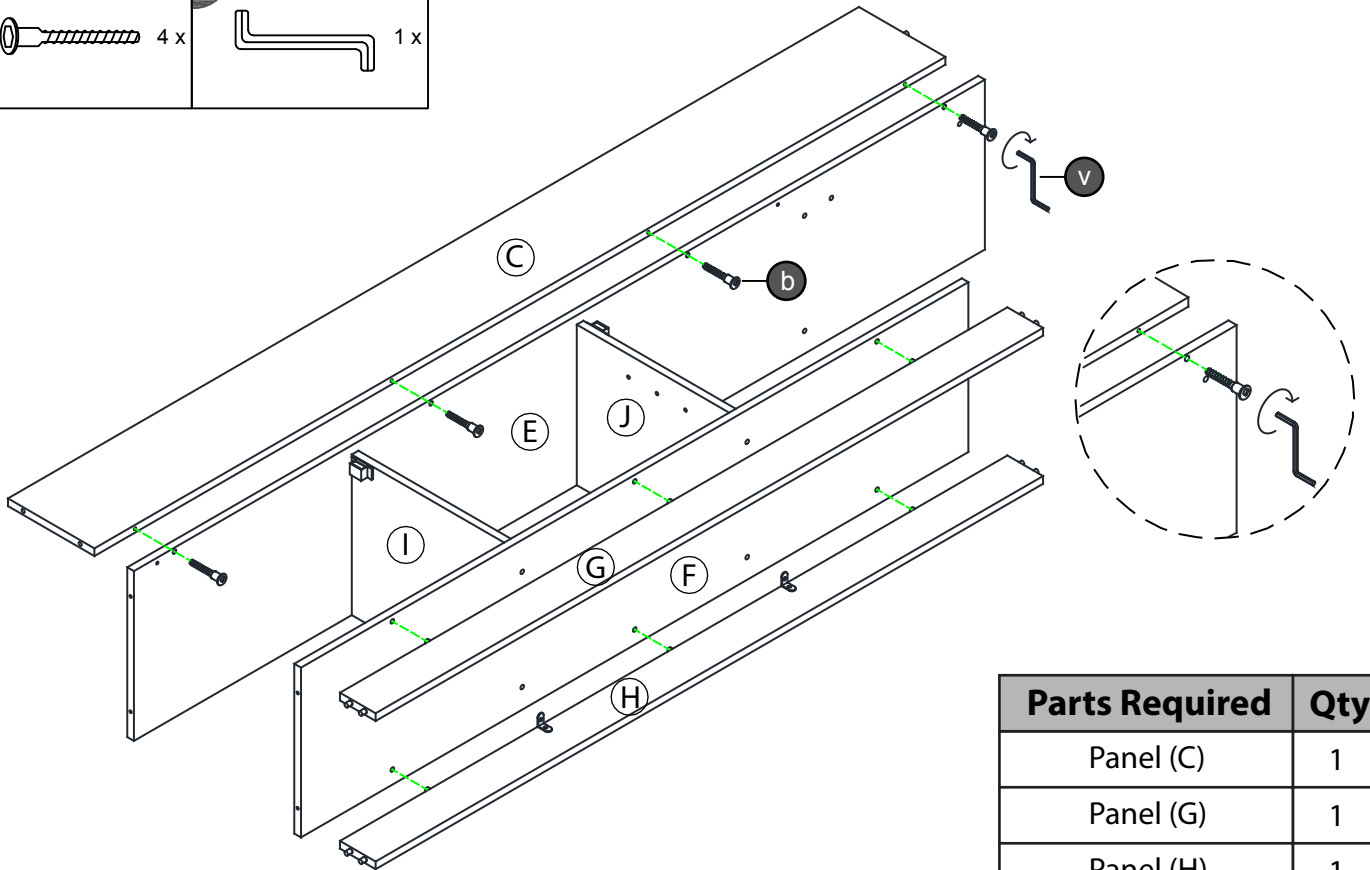
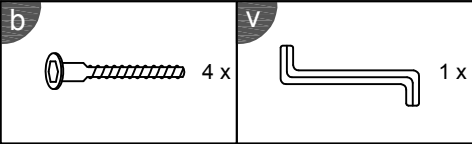
STEP 4



STEP 5

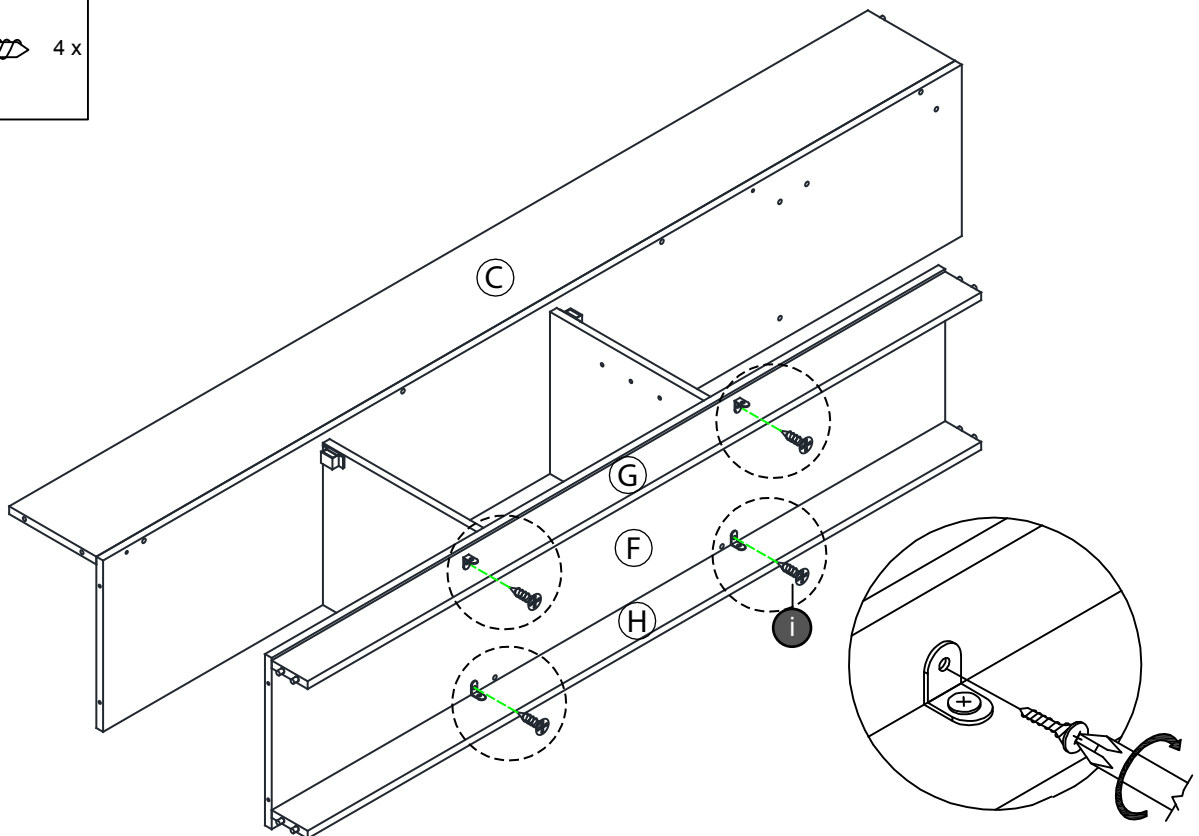
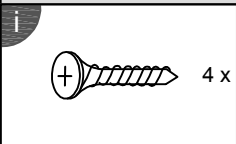


STEP 6

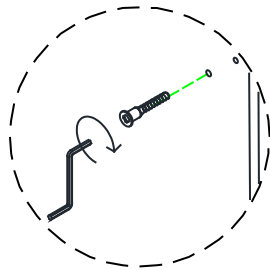
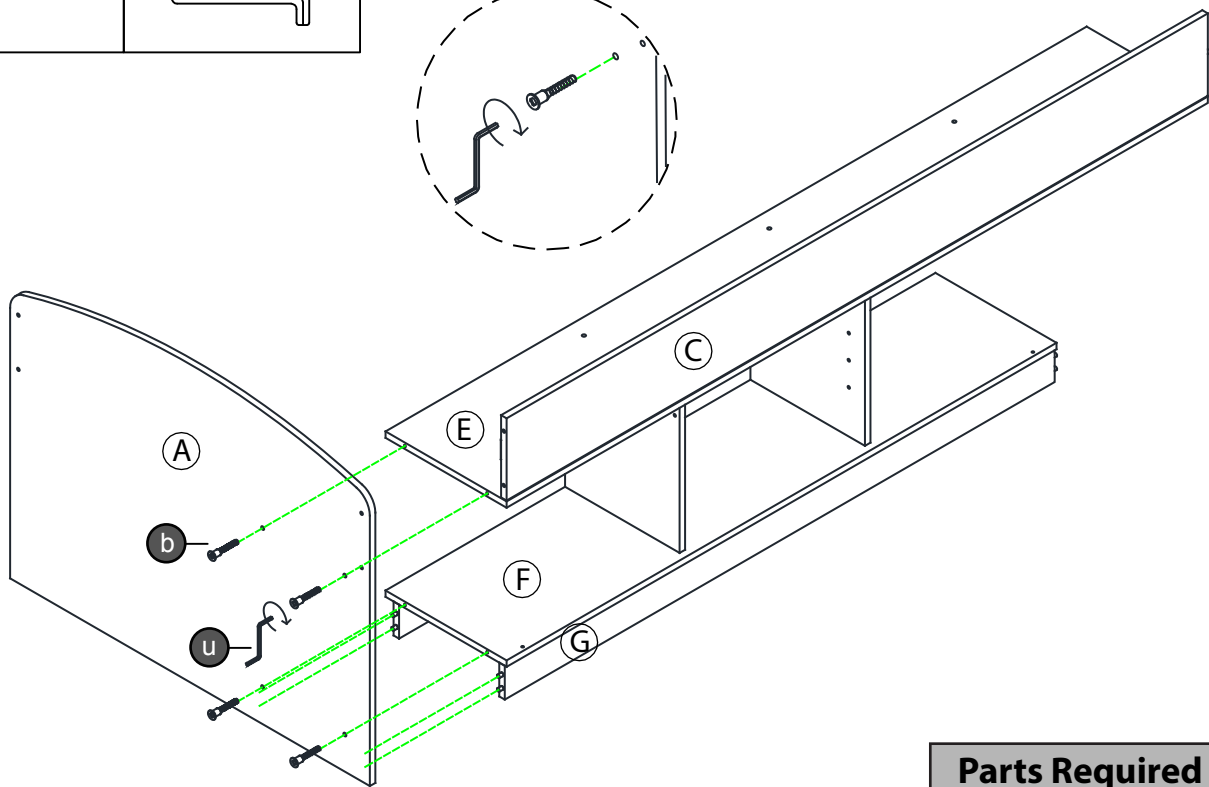
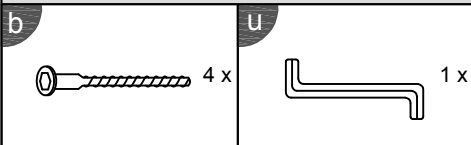


Parts Required	Qty
Panel (C)	1
Panel (G)	1
Panel (H)	1

STEP 7

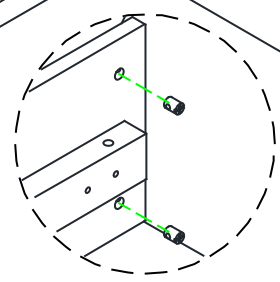
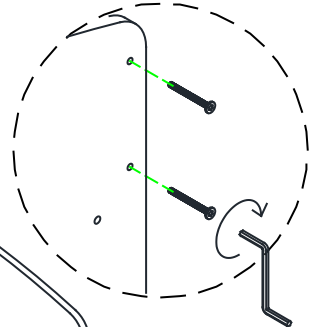
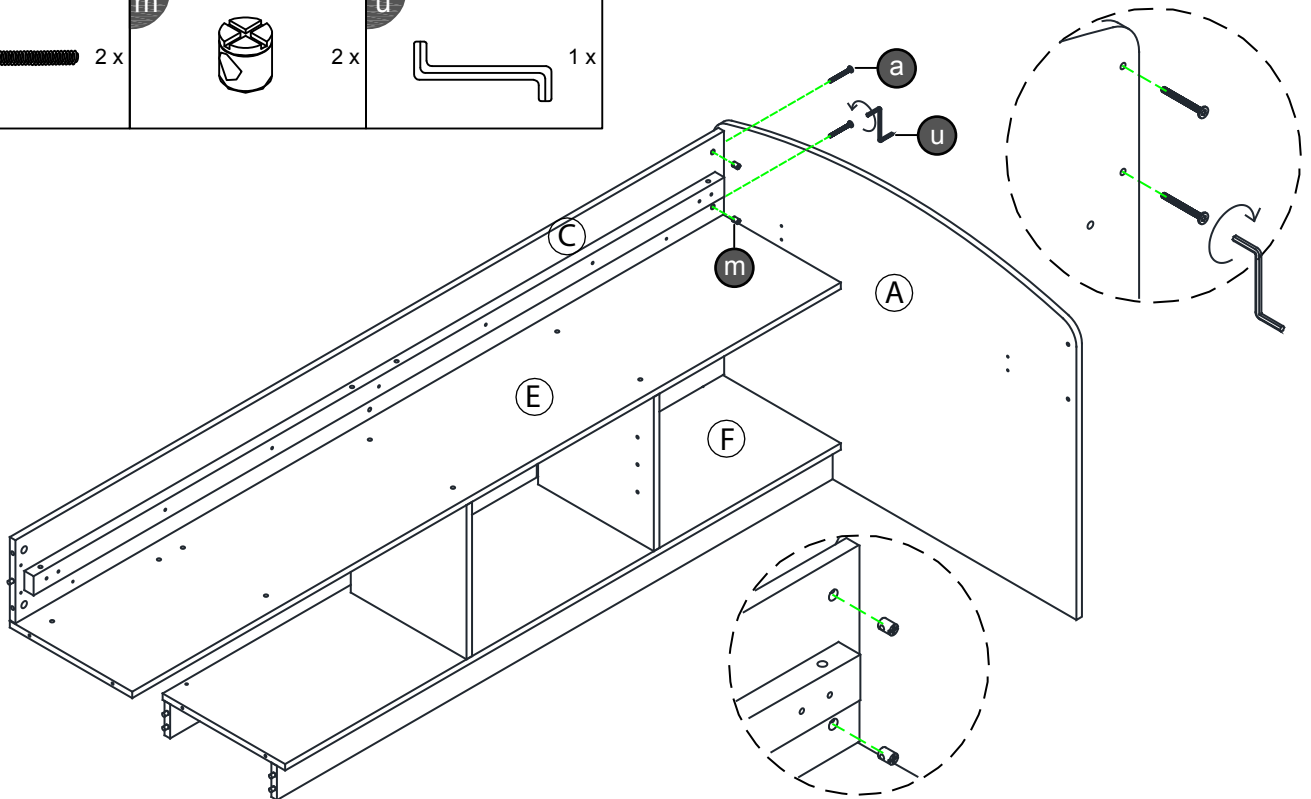
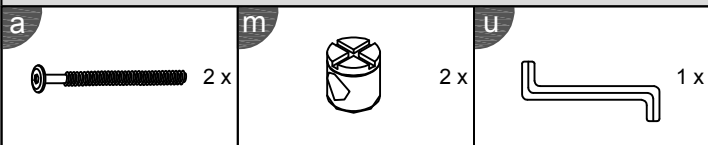


STEP 8

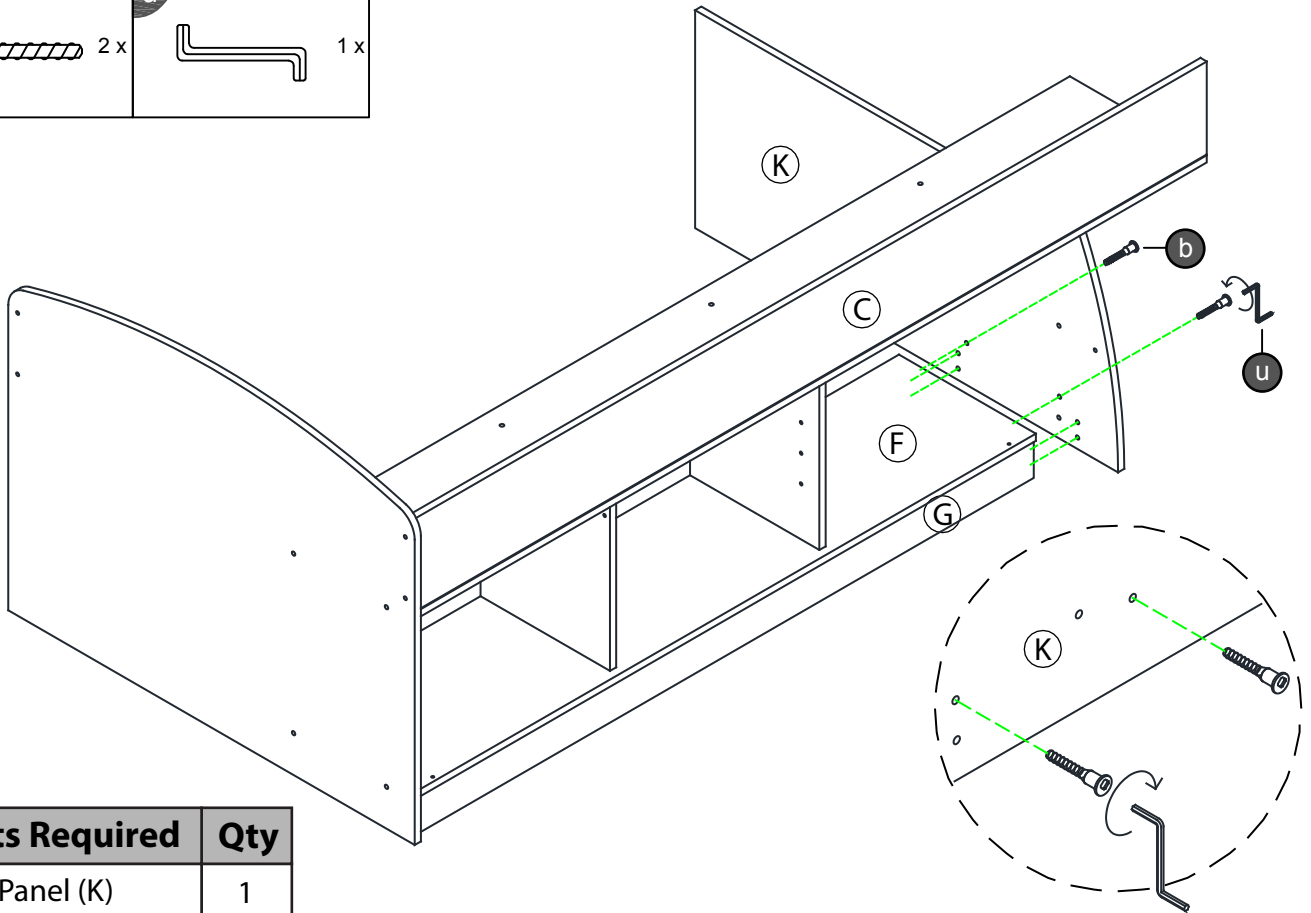
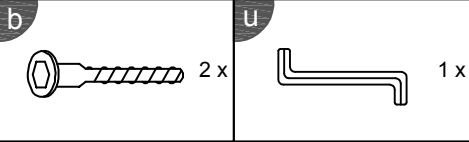


Parts Required	Qty
Panel (A)	1

STEP 9

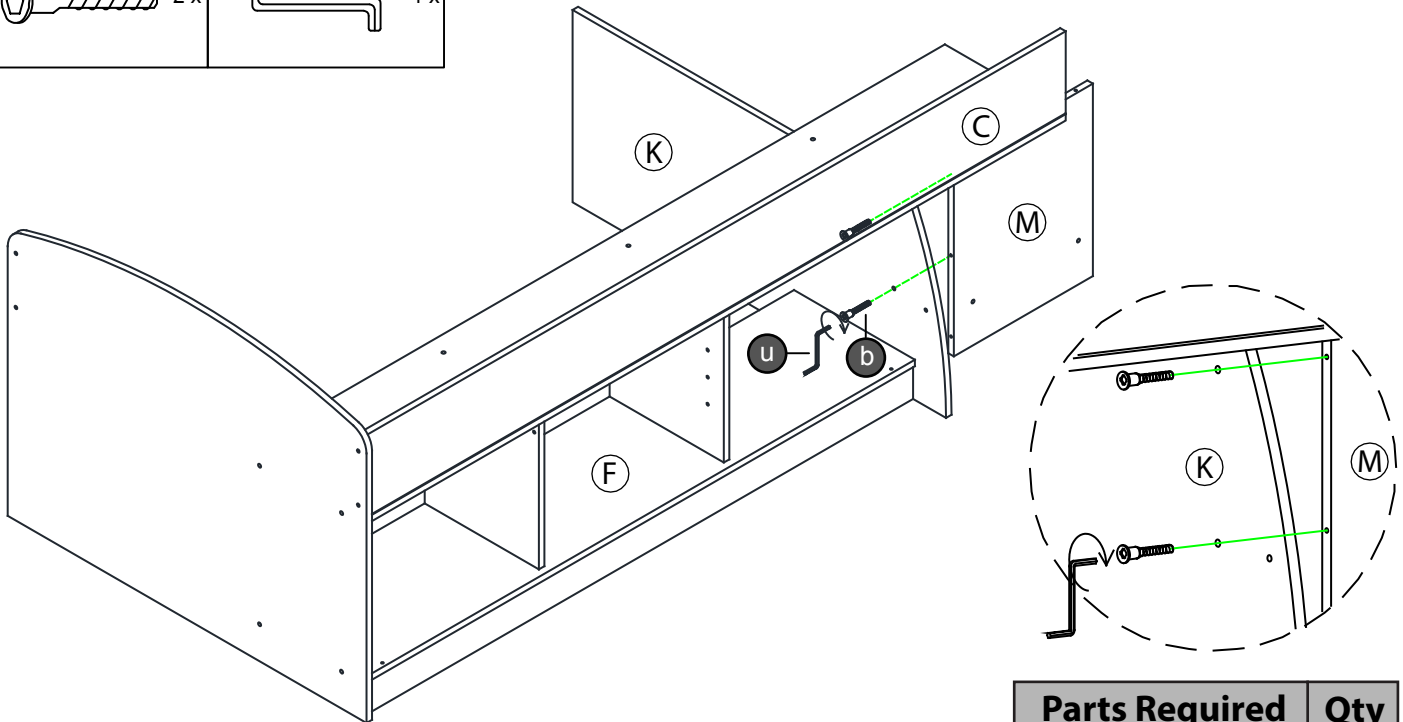
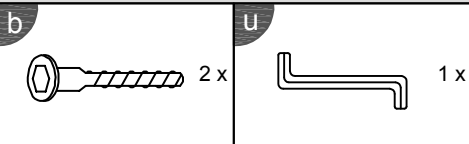


STEP 10



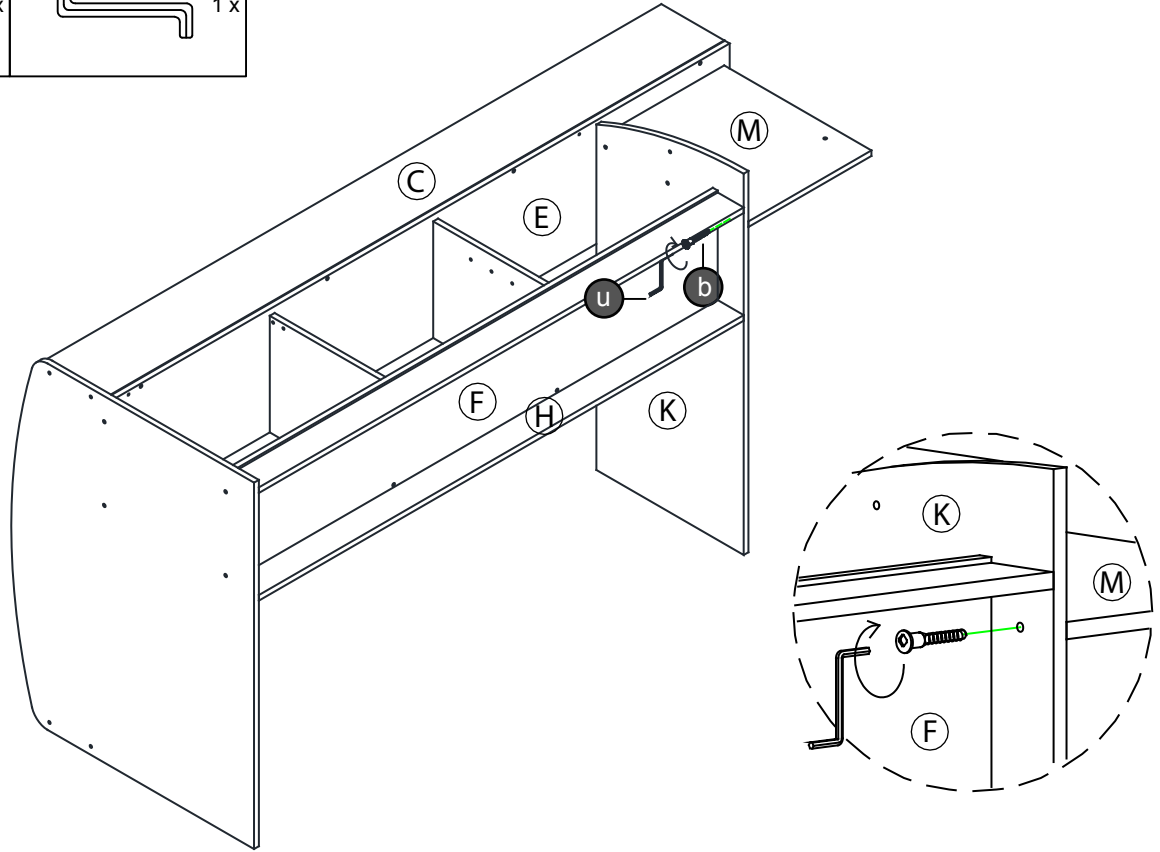
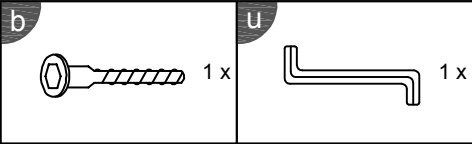
Parts Required	Qty
Panel (K)	1

STEP 11

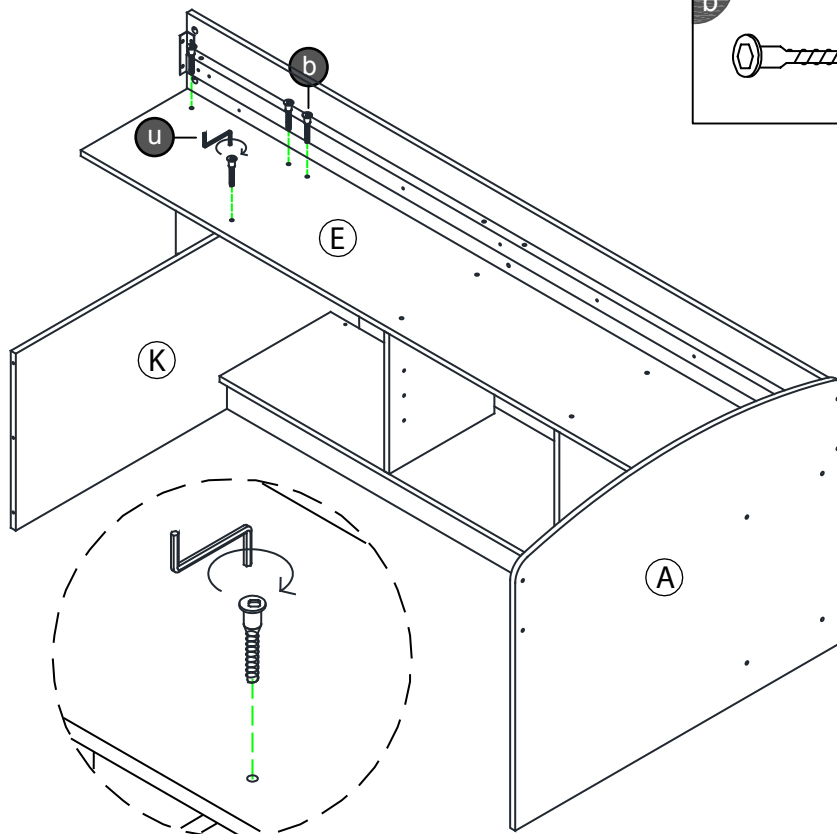
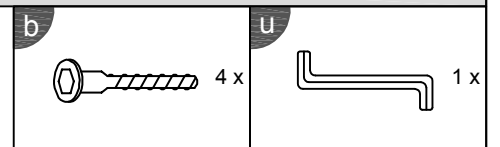


Parts Required	Qty
Panel (M)	1

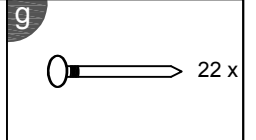
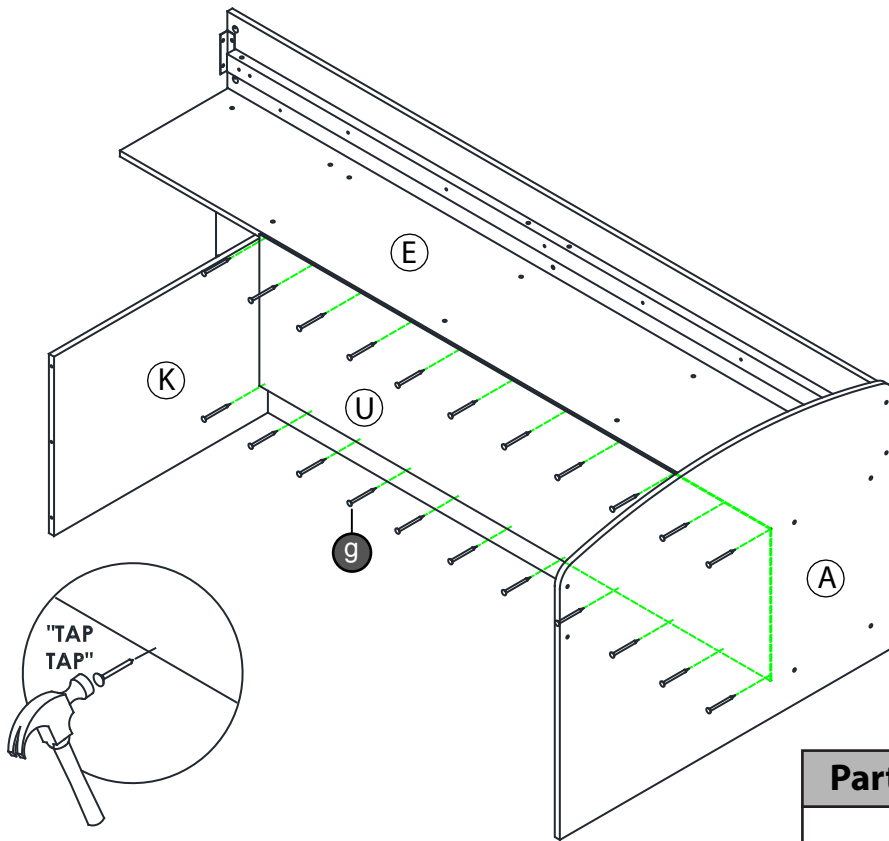
STEP 12



STEP 13

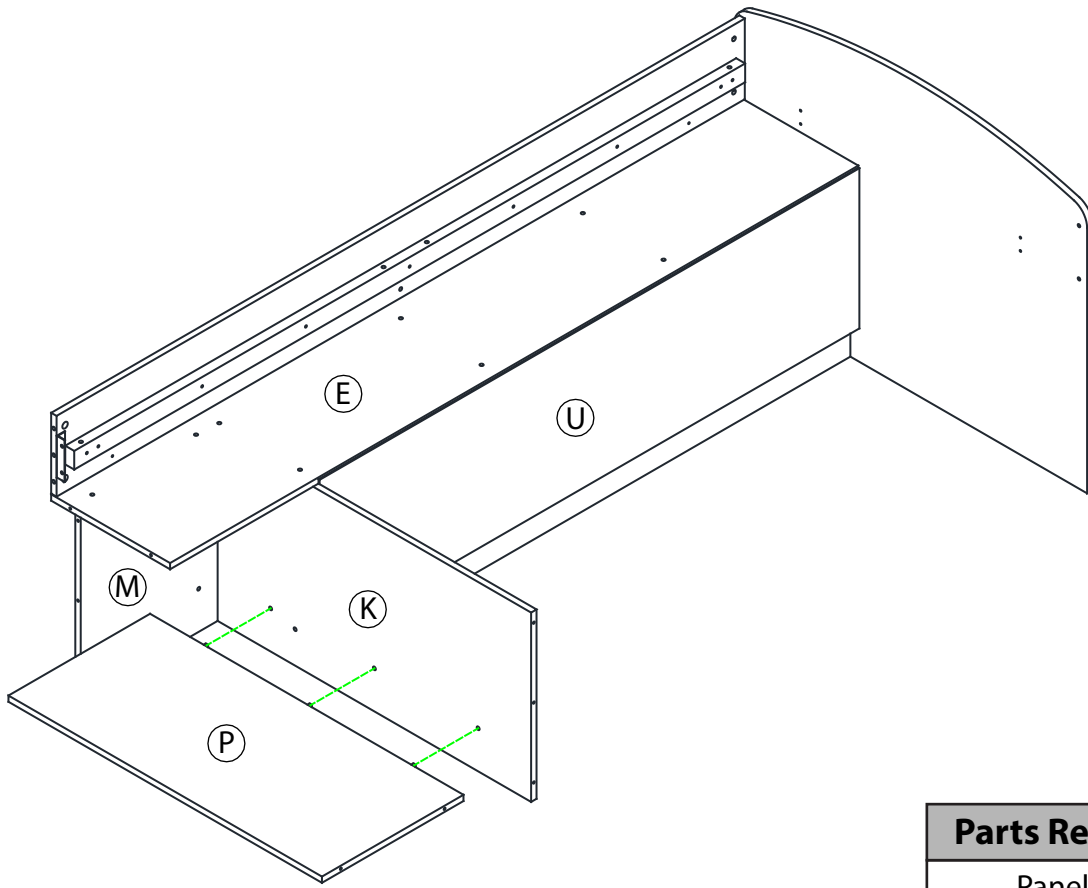


STEP 14



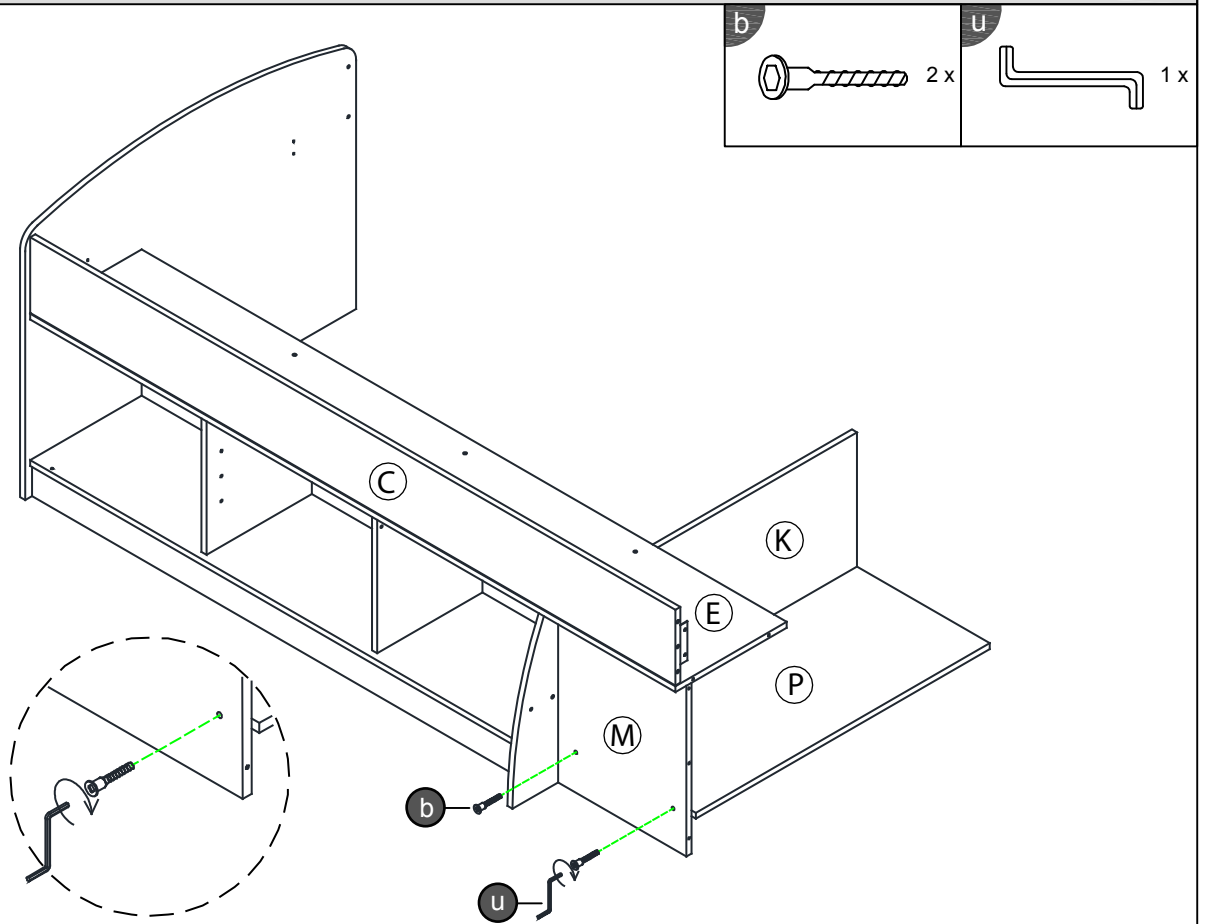
Parts Required	Qty
Panel (U)	1

STEP 15

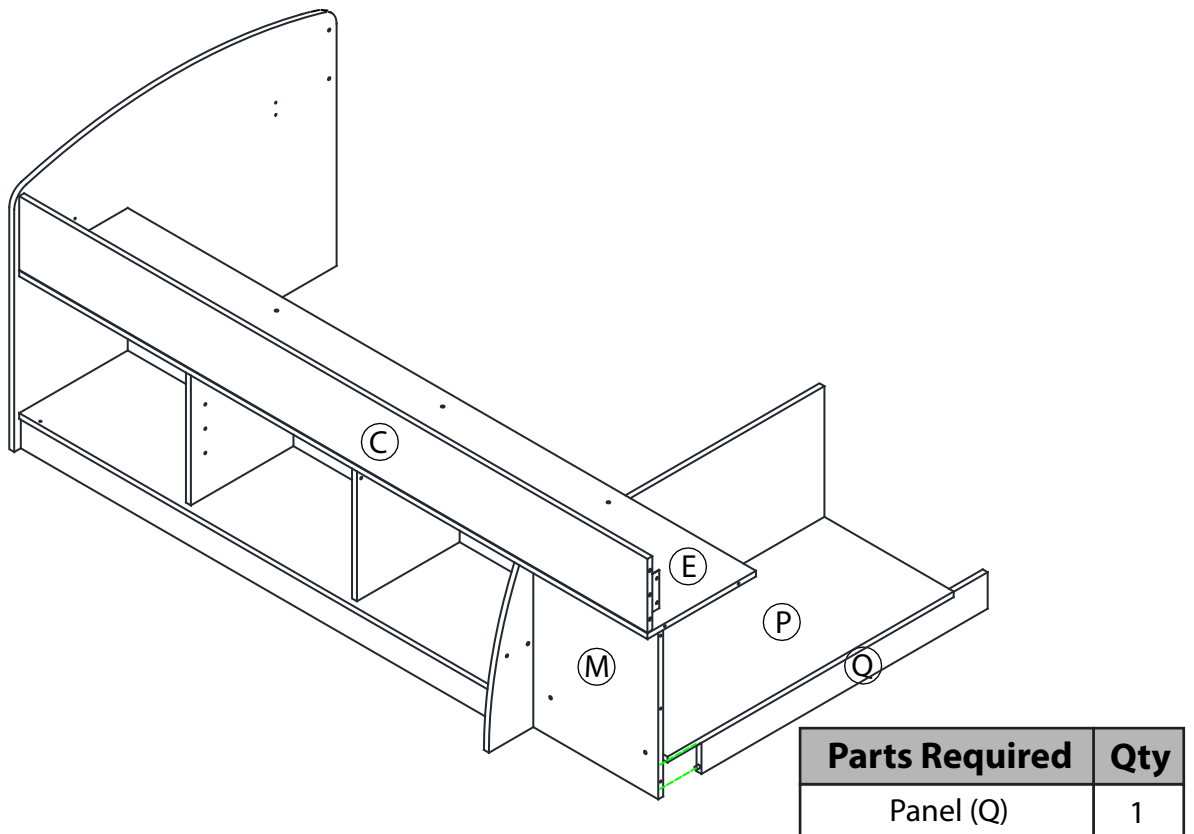


Parts Required	Qty
Panel (P)	1

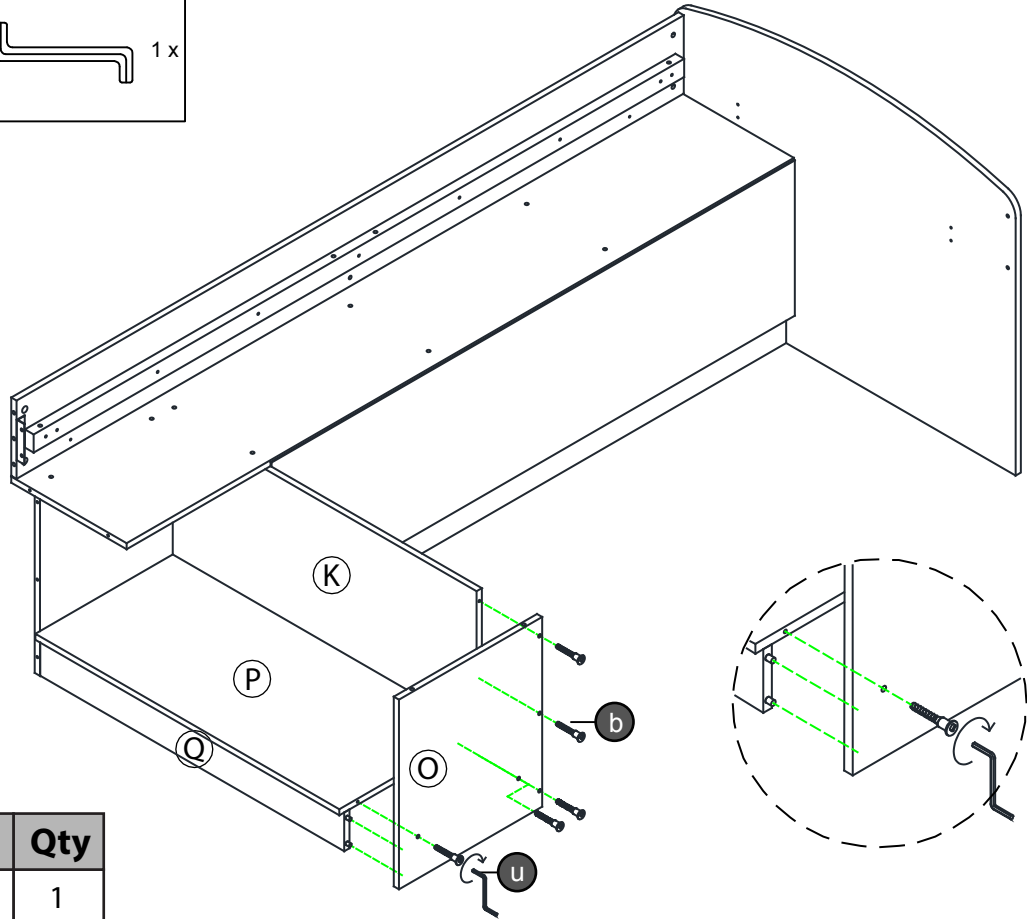
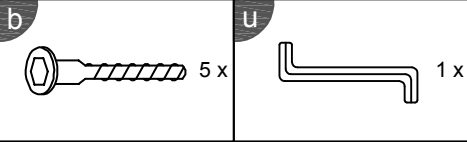
STEP 16



STEP 17



STEP 18



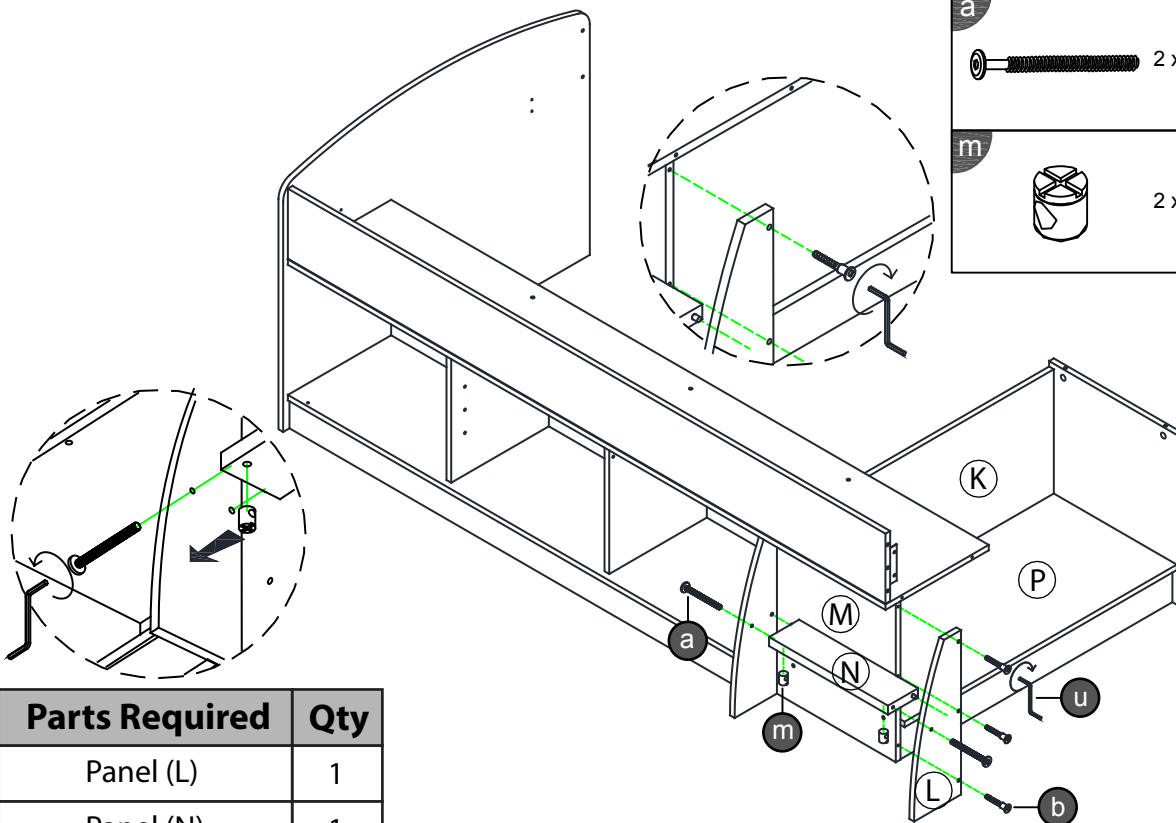
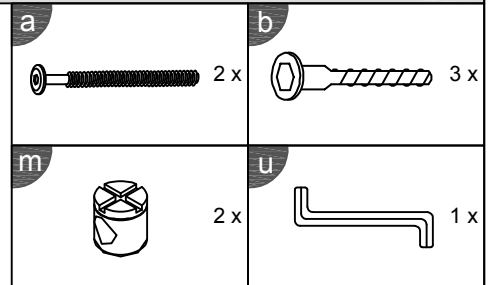
Parts Required

Qty

Panel (O)

1

STEP 19



Parts Required

Qty

Panel (L)

1

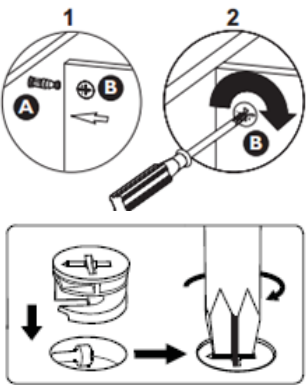
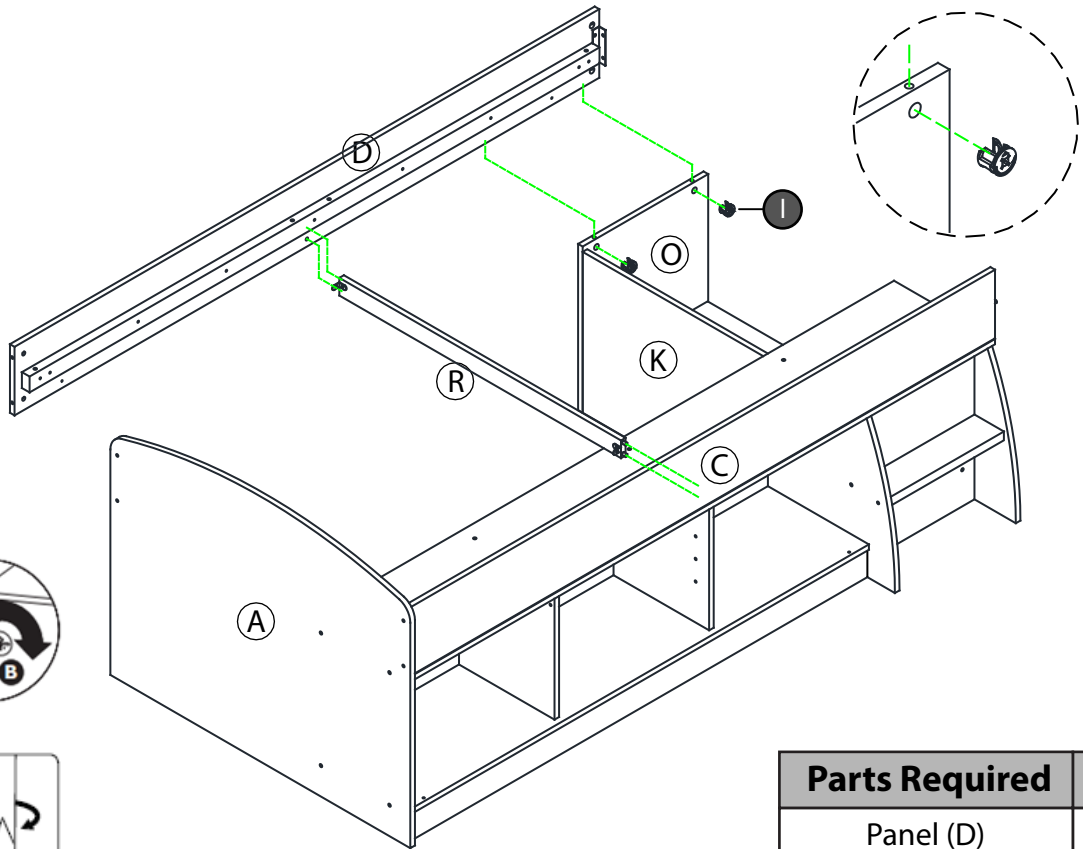
Panel (N)

1

STEP 20

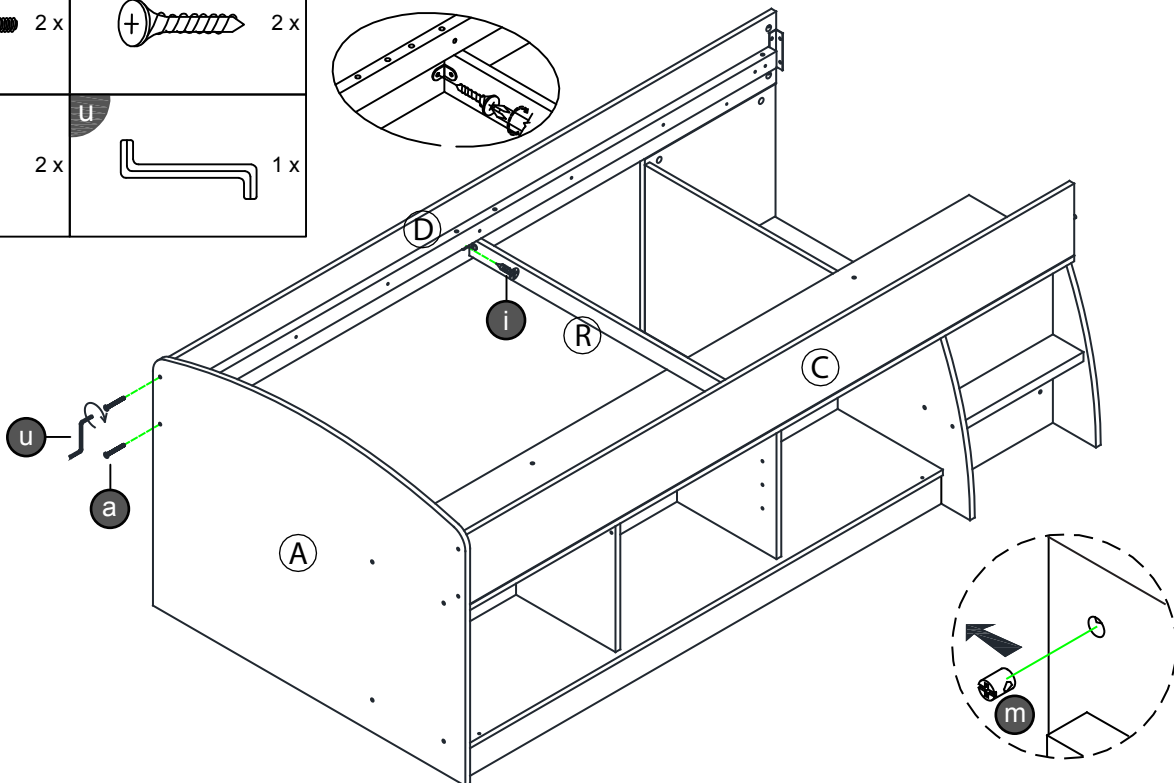
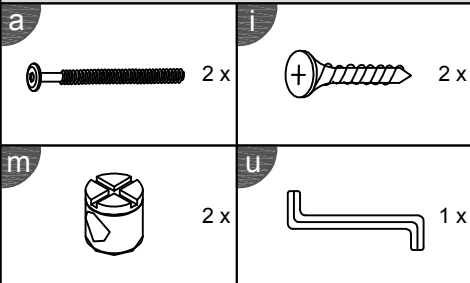


2 x

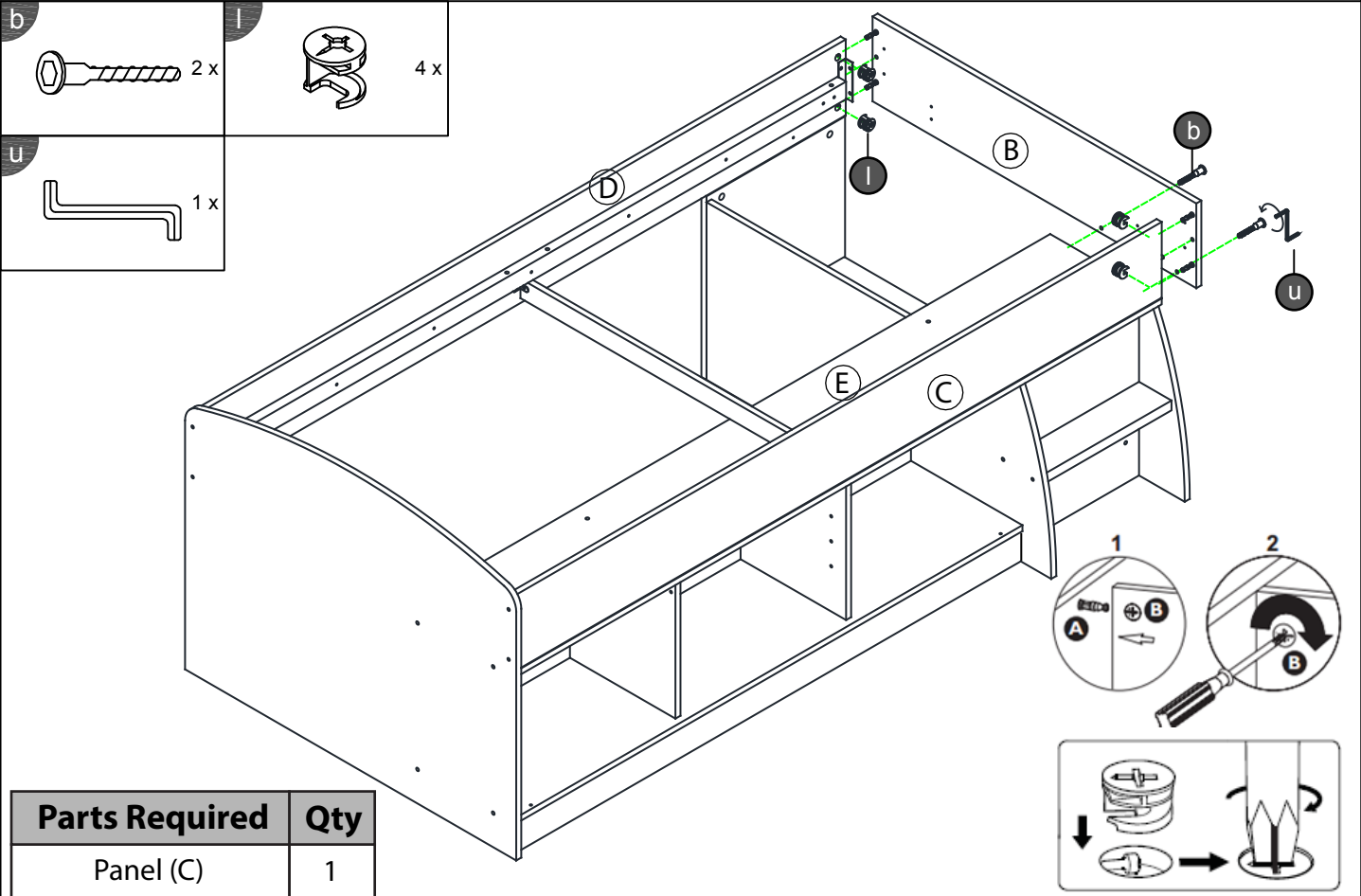


Parts Required	Qty
Panel (D)	1
Panel (R)	1

STEP 21

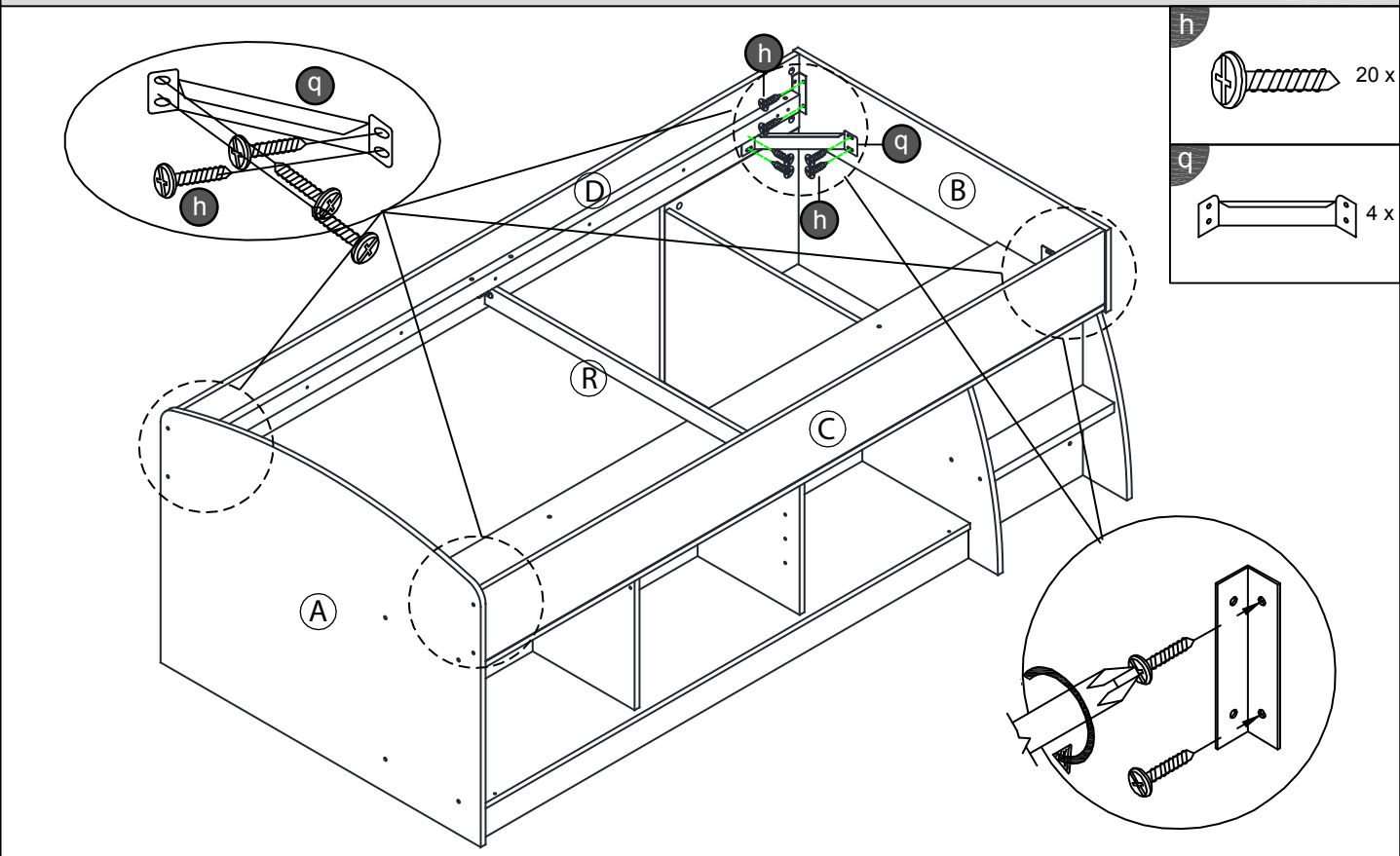


STEP 22

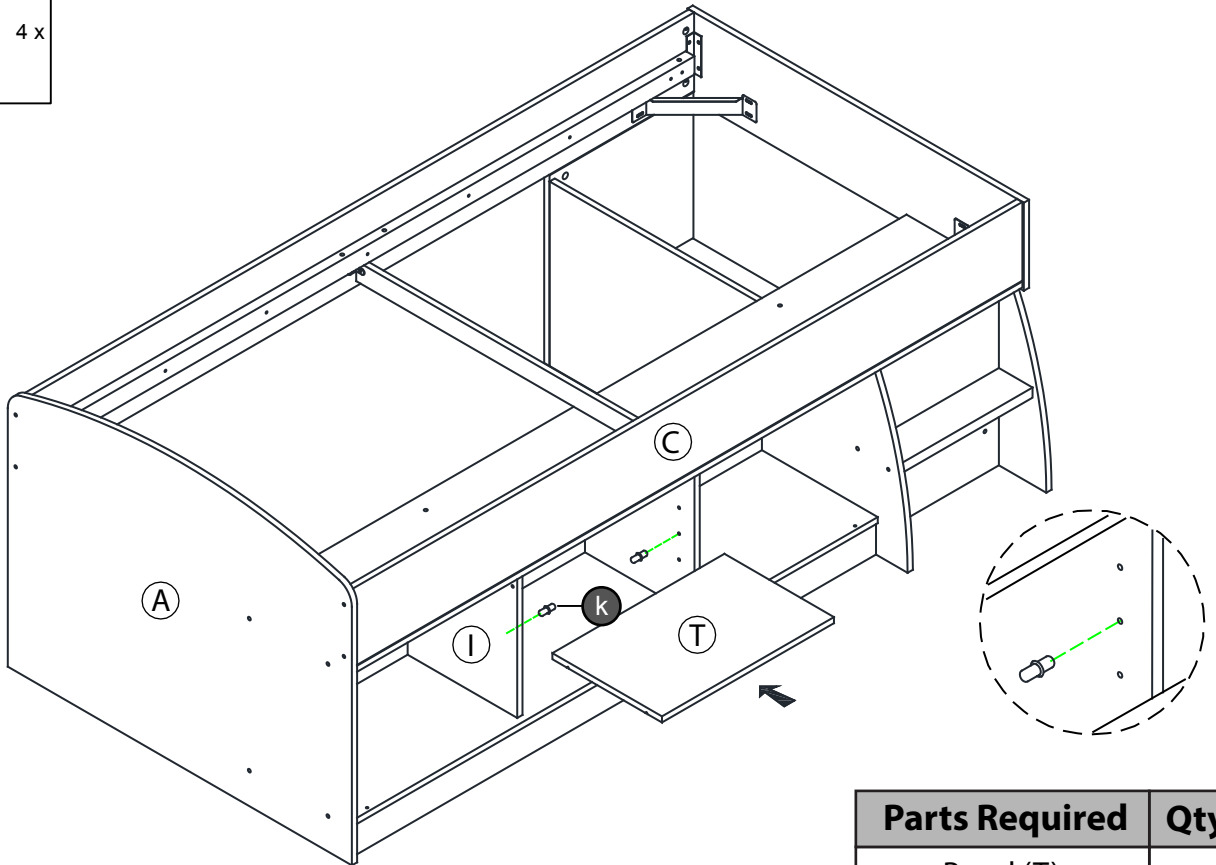
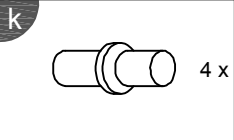


Parts Required	Qty
Panel (C)	1

STEP 23

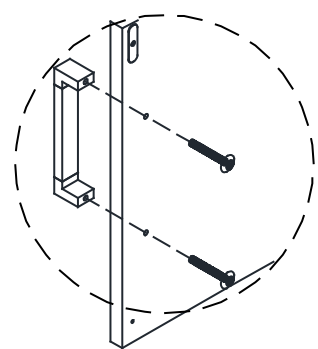
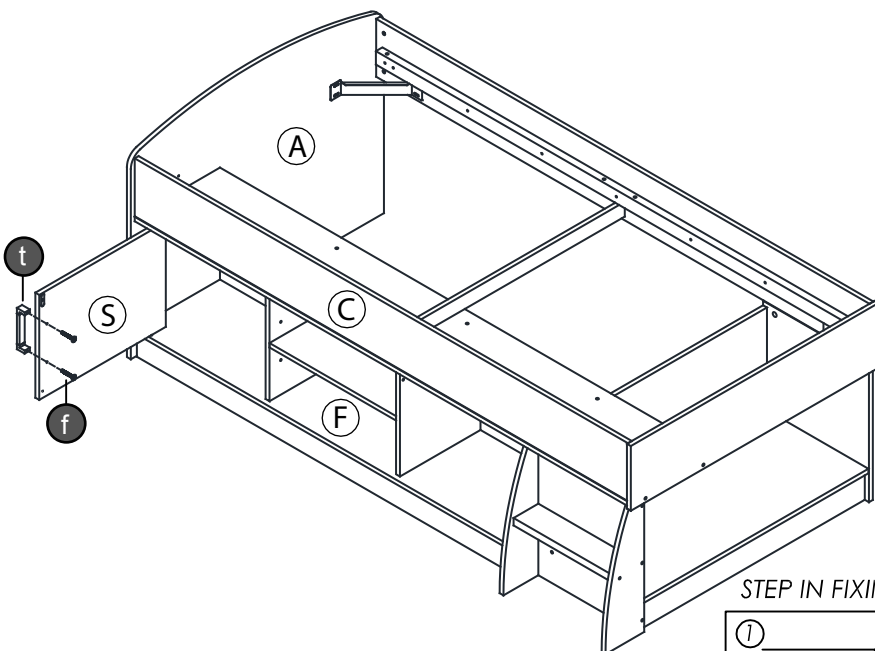
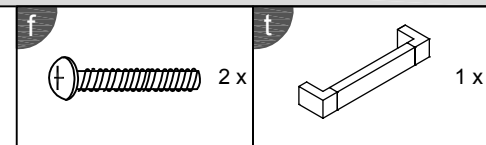


STEP 24

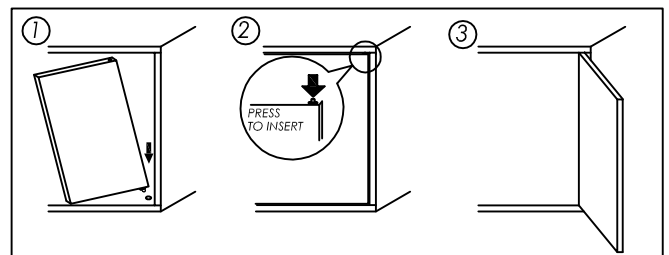


Parts Required	Qty
Panel (T)	1

STEP 25

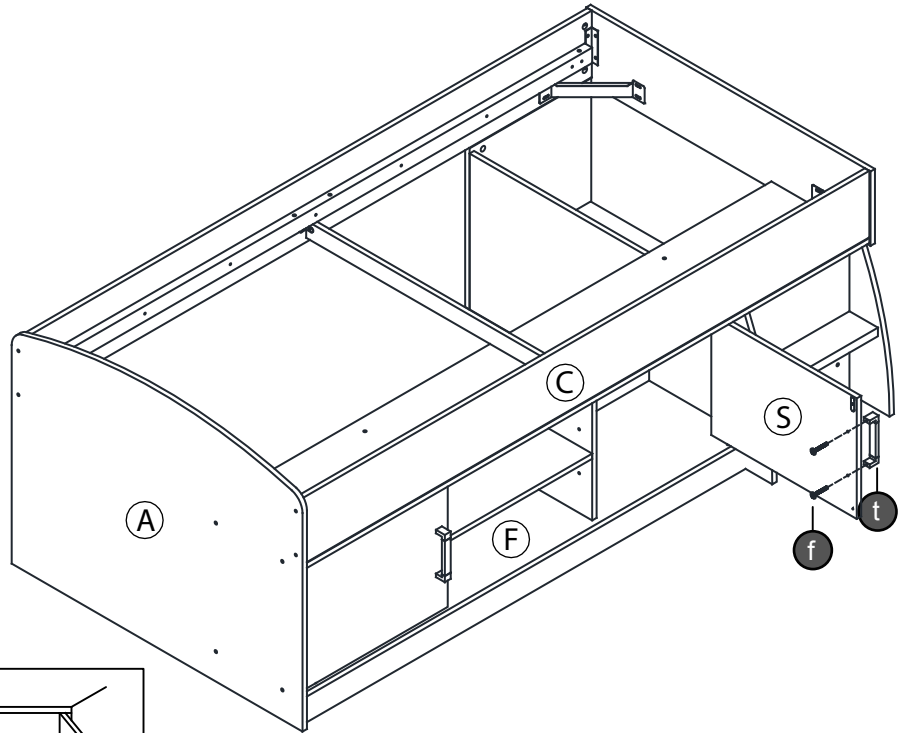
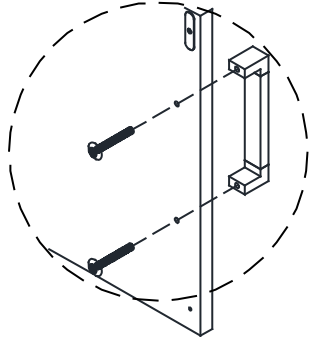
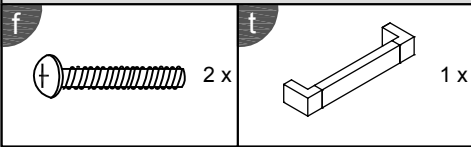


STEP IN FIXING PIVOT DOOR

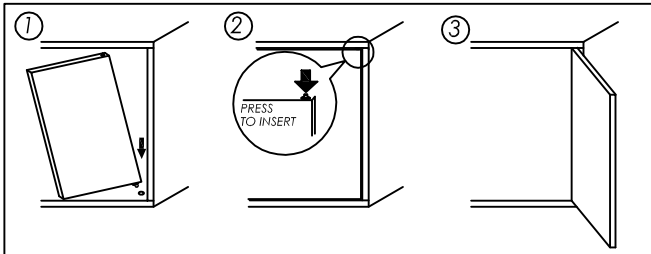


Parts Required	Qty
Panel (S)	1

STEP 26

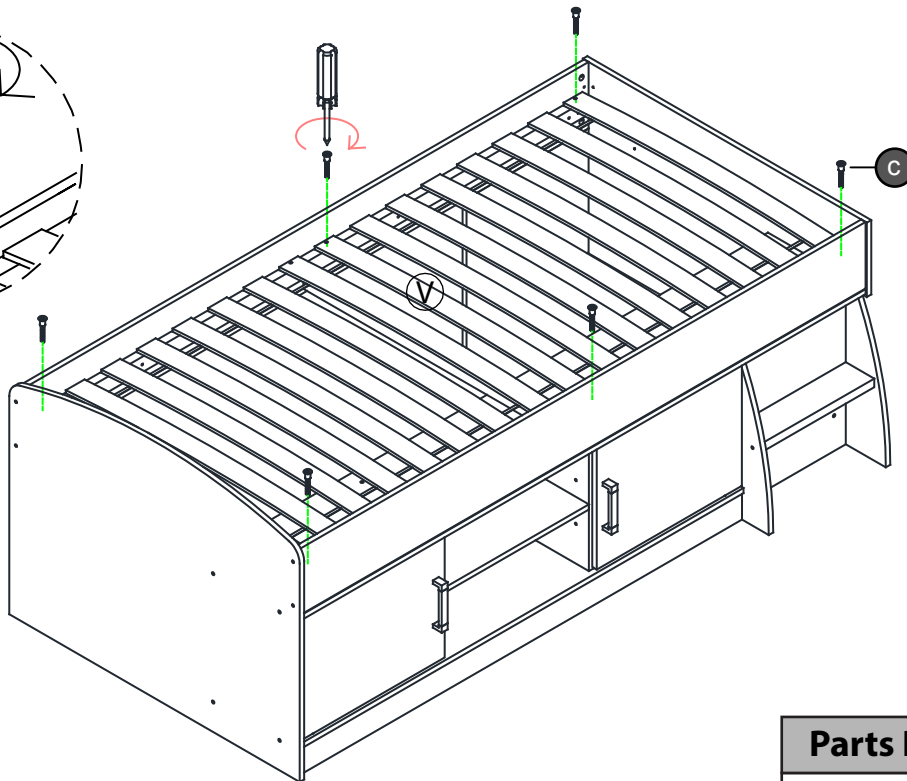
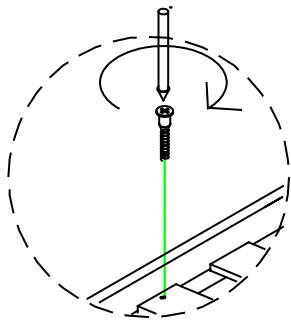
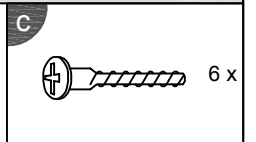


STEP IN FIXING PIVOT DOOR



Parts Required	Qty
Panel (S)	1

STEP 27

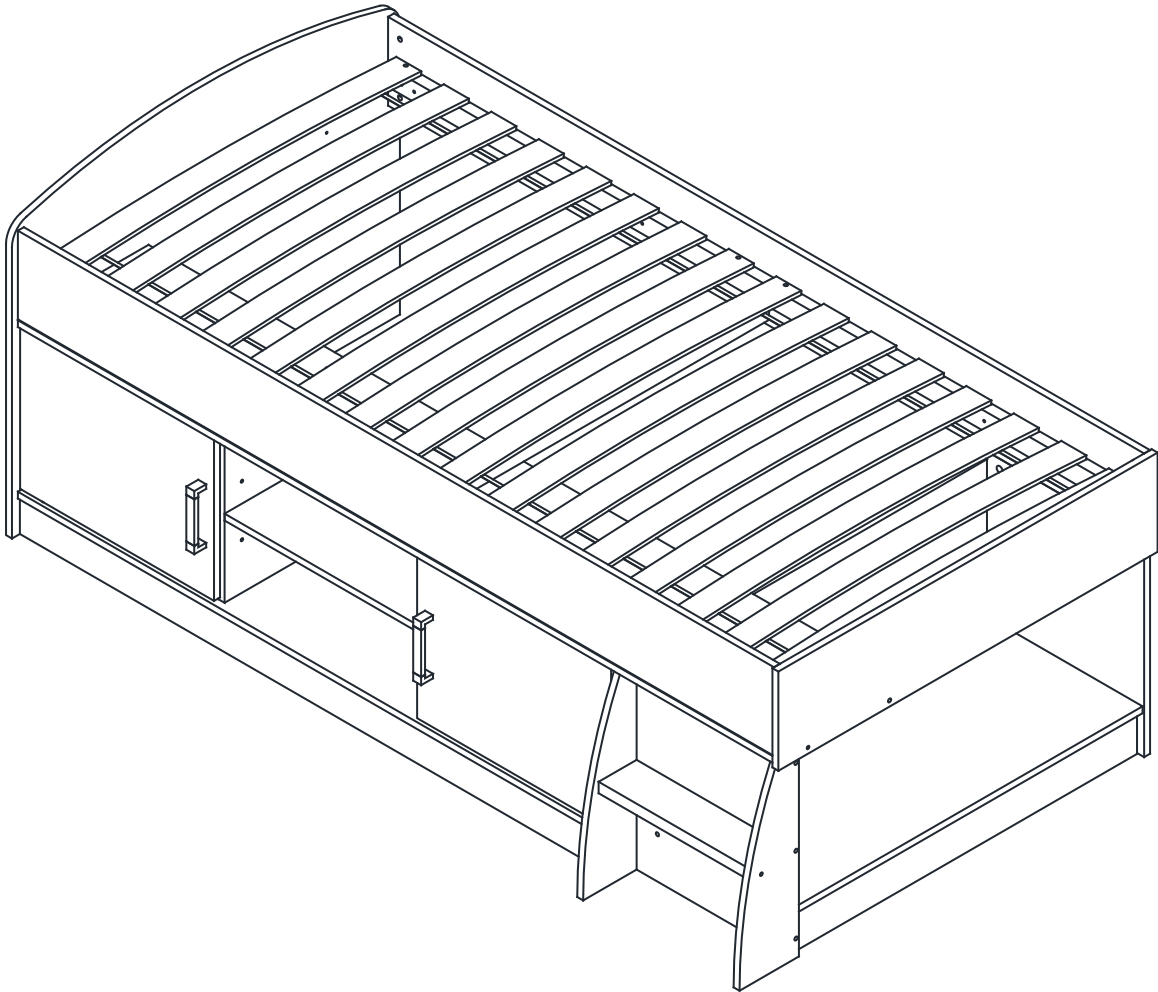


Parts Required	Qty
Panel (V)	16

Complete Assembly

Your **NEW OTTAWA CABIN BED** is now completely assembled

Periodically check to ensure that the components are in their proper position, free from damage. Also, make sure the connectors are tight and secure.



Keep instructions for future reference

