



Birlea

Suppliers of inspiration

Vendor: S000139



ASSEMBLY INSTRUCTIONS LYNX 4 DRAWER CHEST

IMPORTANT: READ THESE INSTRUCTIONS CAREFULLY BEFORE ATTEMPTING TO ASSEMBLE OR USE YOUR LYNX 4 DRAWER CHEST.

PLEASE KEEP THESE INSTRUCTIONS FOR FUTURE REFERENCE.

ASSEMBLY:

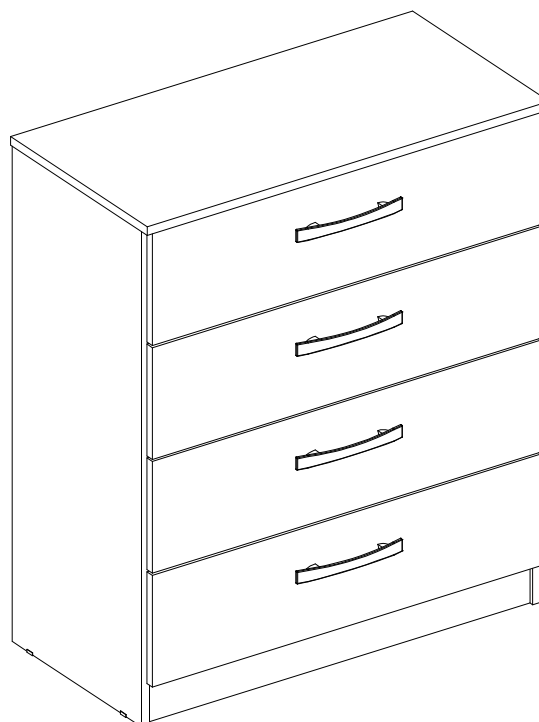
Assembly should be carried out with this item laying flat, not standing upright.
Assemble on a soft, clean surface to prevent damages.
To erase the numbers printed on the pieces, use the rubber into the accessories pack.

HEALTH & SAFETY:

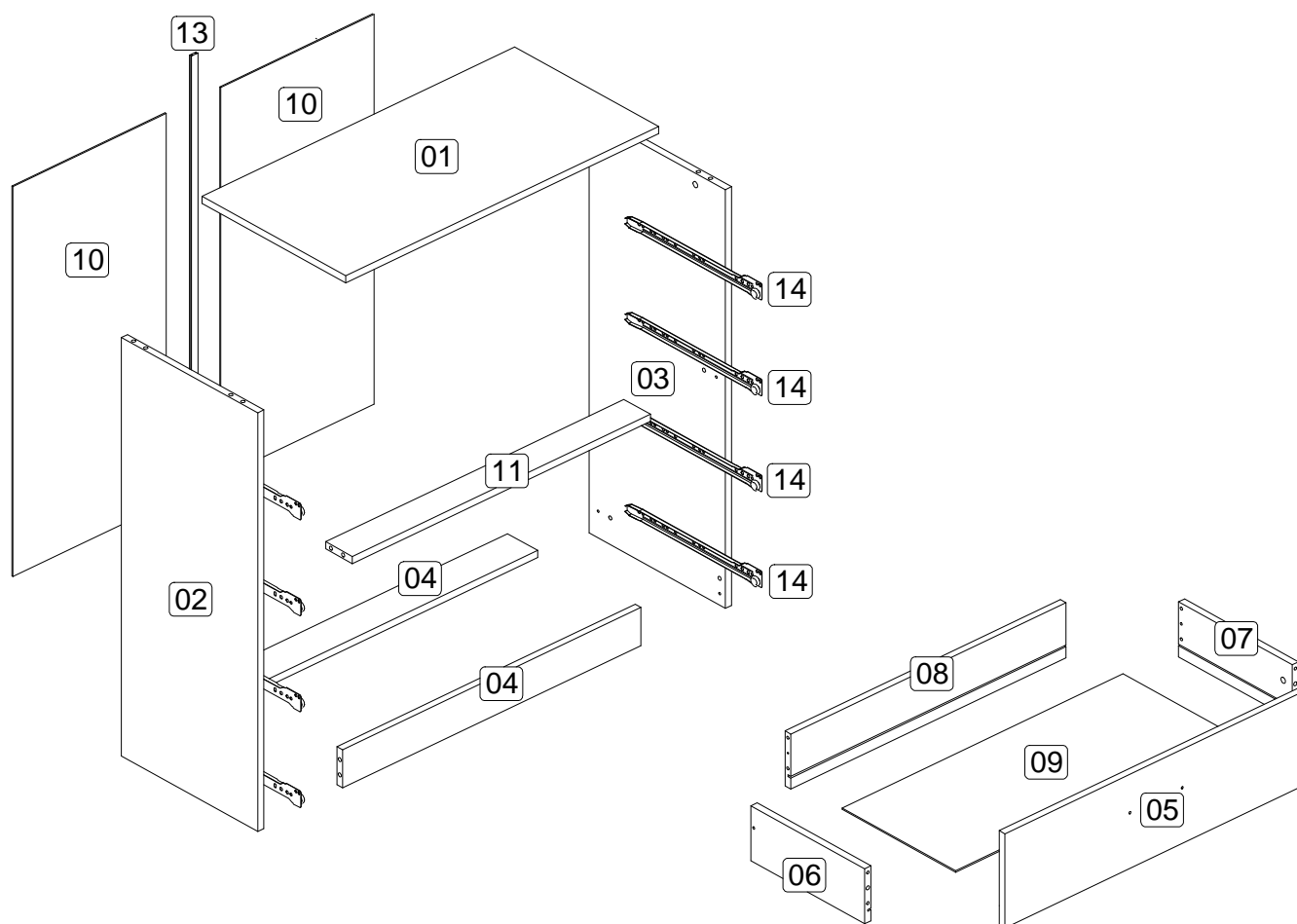
DO NOT use this chest if any parts are missing, damaged or worn.
DO NOT use this chest unless all fixings are secured.
Always use on a level, even surface.





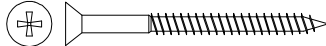
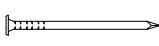








CARE & MAINTENANCE:

Periodically check all screws & fixings to ensure they are secure.
DO NOT push the chest as this will damage the base.
Always lift the chest with two people to reposition.
Keep any sharp objects away from the chest.



www.birlea.com

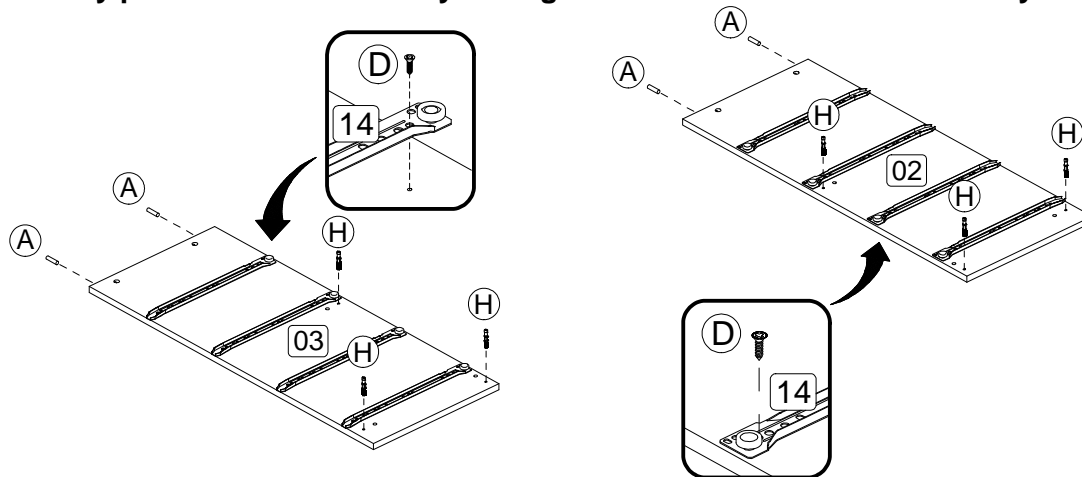


Parts List			Hardware List		
Part	Description	Qty	Part	Description	Qty
01	Top Panel	1	A	8 x 30mm Wooden Dowel 	42
02	Left Panel	1	C	Plastic Cap 	8
03	Right Panel	1	D	3 x 14mm Screw 	33
04	Plinth	2	E	3.5 x 25mm Screw 	8
05	Drawer Front	4	F	4.5 x 45mm Screw 	8
06	Left Drawer Panel	4	G	10 x 10mm Tack 	35
07	Right Drawer Panel	4	H	Simple Minifix Screw 	18
08	Drawer Back	4	I	Cam Lock 	18
09	Drawer Base	4	J	Glue 	1
10	Back Panel	2	K	Small Plastic Foot 	4
11	Centre Support	1	L	Handles 	4
13	Spine	1	M	Strap 	1
14	Drawer Runners	4	N	Bushing 	1
			O	5 x 60 mm Screw 	1

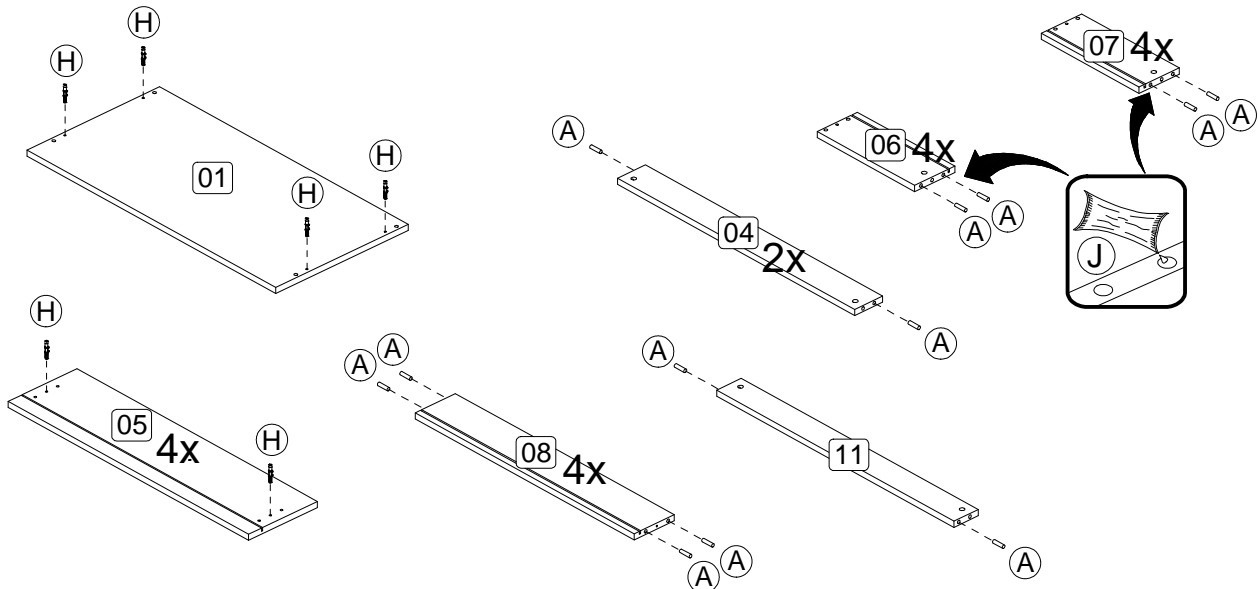
**** You will need a small mallet and a screwdriver for assembly.**

**** Some screws and wooden dowel may remain.**

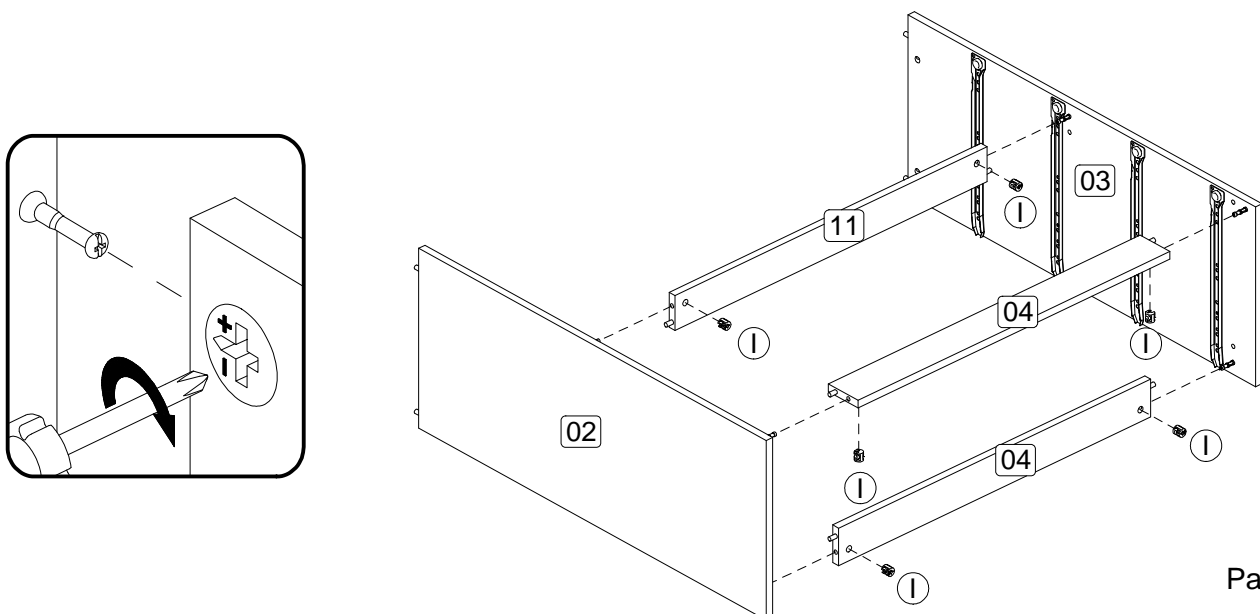
Step 1: Attach the drawer runners (14) to the left panel (2) and right panel (3) using hardware part D. Insert hardware parts A and H into each side panel using a small mallet and screwdriver (not provided).
DO NOT use any power tools as this may damage the frame and will invalidate any claim.



Step 2: Insert hardware parts A and H as shown using hardware part J, a small mallet and a screwdriver (not provided).
DO NOT use any power tools as this may damage the frame and will invalidate any claim.

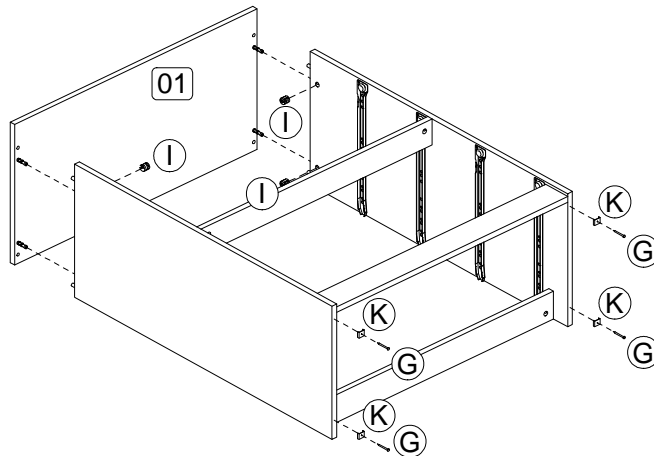


Step 3: Attach the left panel (2) and right panel (3) to the plinths (4) and centre support (11) using hardware part I and a screwdriver (not provided).
DO NOT use any power tools as this may damage the frame and will invalidate any claim.



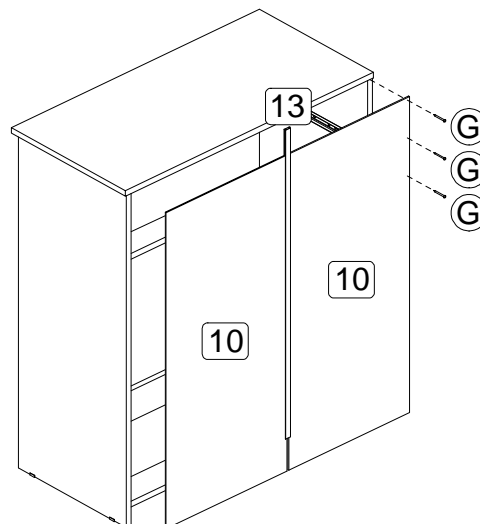
Step 4: Attach the top panel (1) using hardware parts I then attach hardware parts K to the base using hardware part G. You will need to use a screwdriver (not provided).

DO NOT use any power tools as this may damage the frame and will invalidate any claim.



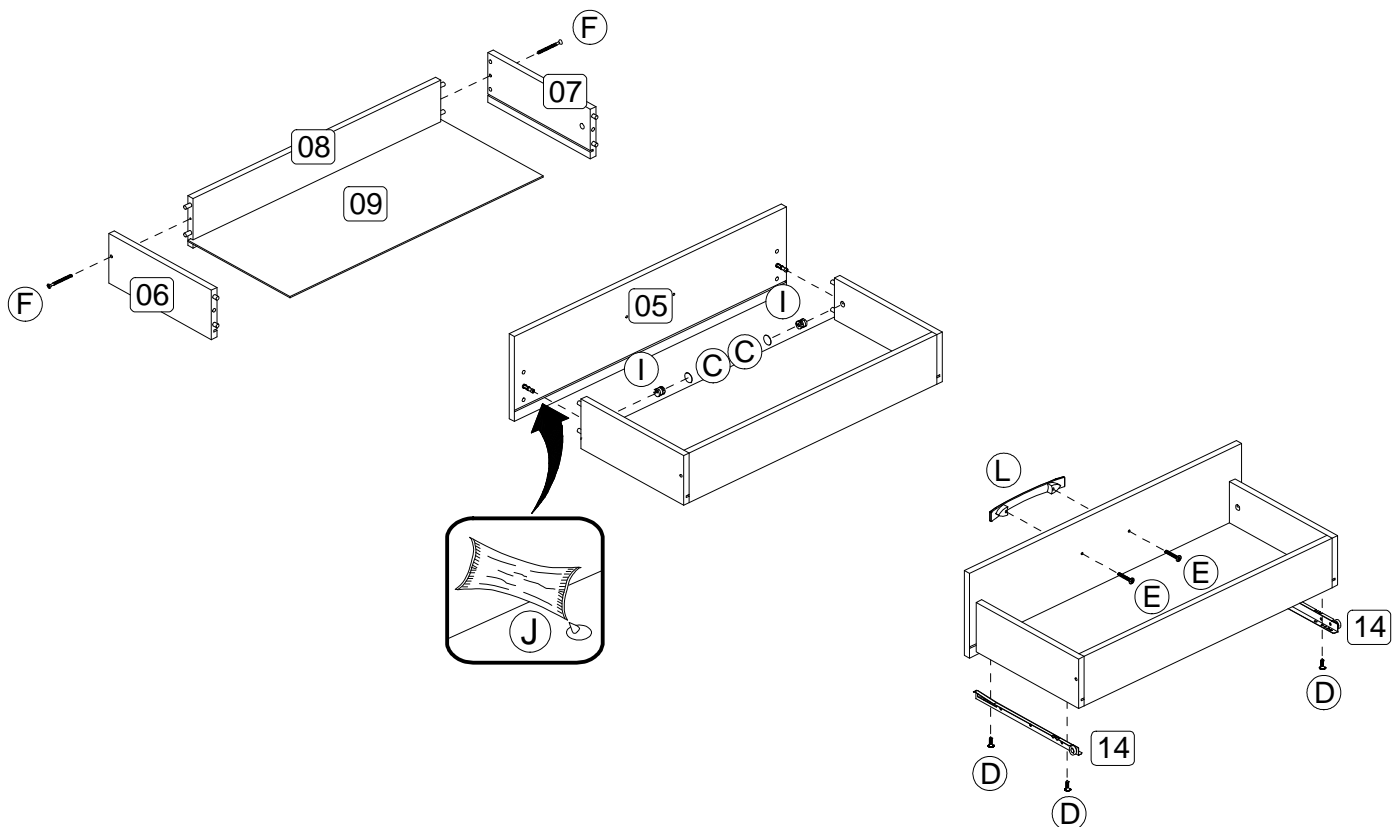
Step 5: Connect the back panels (10) using the spine (13) and secure using hardware part G and a small mallet (not provided).

DO NOT use any power tools as this may damage the frame and will invalidate any claim.



Step 6: Assemble the drawer components using hardware parts C, D, E, F, I, and J with a screwdriver (not provided).

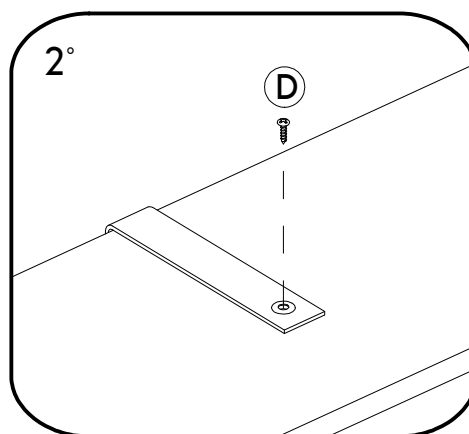
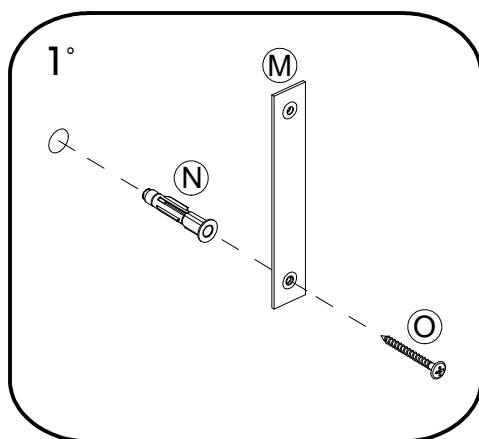
DO NOT use any power tools as this may damage the frame and will invalidate any claim.



Step 7: To secure the item to the wall use hardware parts M, N and O using a screwdriver (not provided). Then attach hardware part D to the item with a screwdriver (not provided).

DO NOT use any power tools as this may damage the frame and will invalidate any claim.

Birlea Furniture advise you use the wall straps provided to further enhance the safety of this product



Additional Information:

- For complete product information, images and dimension diagrams please visit the website www.birlea.com
- If you have any issues with your item please contact the retailer directly you purchased it from who will be able to resolve any issues with Birlea.
- Why don't you send us photos of your assembled furniture to info@birlea.com to be shared in our #birleahome feature on Instagram.



Birlea

Suppliers of inspiration