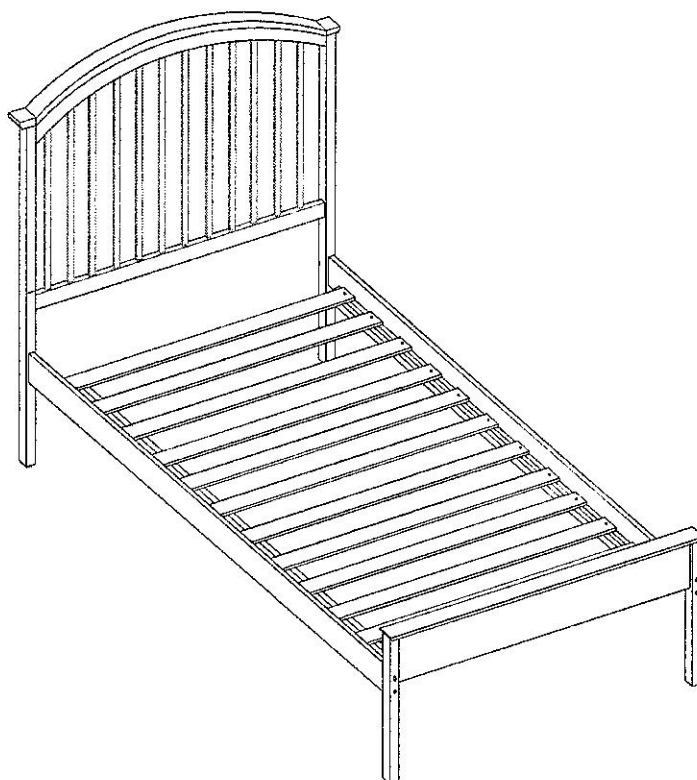


# MADRID LOW FOOTBOARD BED 3FT ASSEMBLY INSTRUCTIONS

Thank you for purchasing the MADRID LOW FOOTBOARD BED 3FT . Please read the instructions carefully to ensure safe operation of the product.



**Size:** 3FT,L 2015 X W 1020 X H 1140

**Colour :** WHITE ,OAK

---

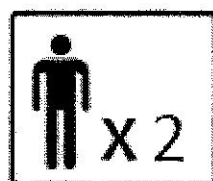
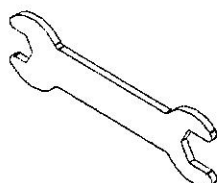
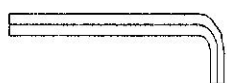
**PLEASE READ** this sheet prior to assembly to familiarise yourself with the various stages of construction.

Carefully open the pack supplied and check the contents against the parts and fittings check list. Do not destroy any of the packaging until you are certain that you have all the necessary parts for the assembly.

**CAUTION:** There are small components used in the construction of this unit. These loose items should be kept away from young children whilst assembling your unit to avoid the danger of choking hazards.

---

## Tools Required



1 Hour  
Set Up

# MADRID LOW FOOTBOARD BED 3FT

## ASSEMBLY INSTRUCTION

**IMPORTANT - READ CAREFULLY - RETAIN THESE INSTRUCTIONS FOR FUTURE REFERENCE.**

### INFORMATION

- This product is intended for a maximum person's weight of 100kg per side. Do not exceed this weight.
- Due to the size of this product we recommend that it is assembled in the room intended for use.
- When you are ready to start, make sure that you have the right tools, plenty of space and a clean, dry area for assembly.
- Unwrap all packaging materials and place the components on top of the carton box or on a clean floor to prevent it from scratching.
- Check the pack and make sure you have all the parts listed.
- Ensure that this product is fully assembled and secured as illustrated before use.
- Check all screws or bolts are tightened and inspect regularly.
- This product should only be used on firm level ground.
- Please dismantle for transportation.
- Tools are included.

### WARNINGS

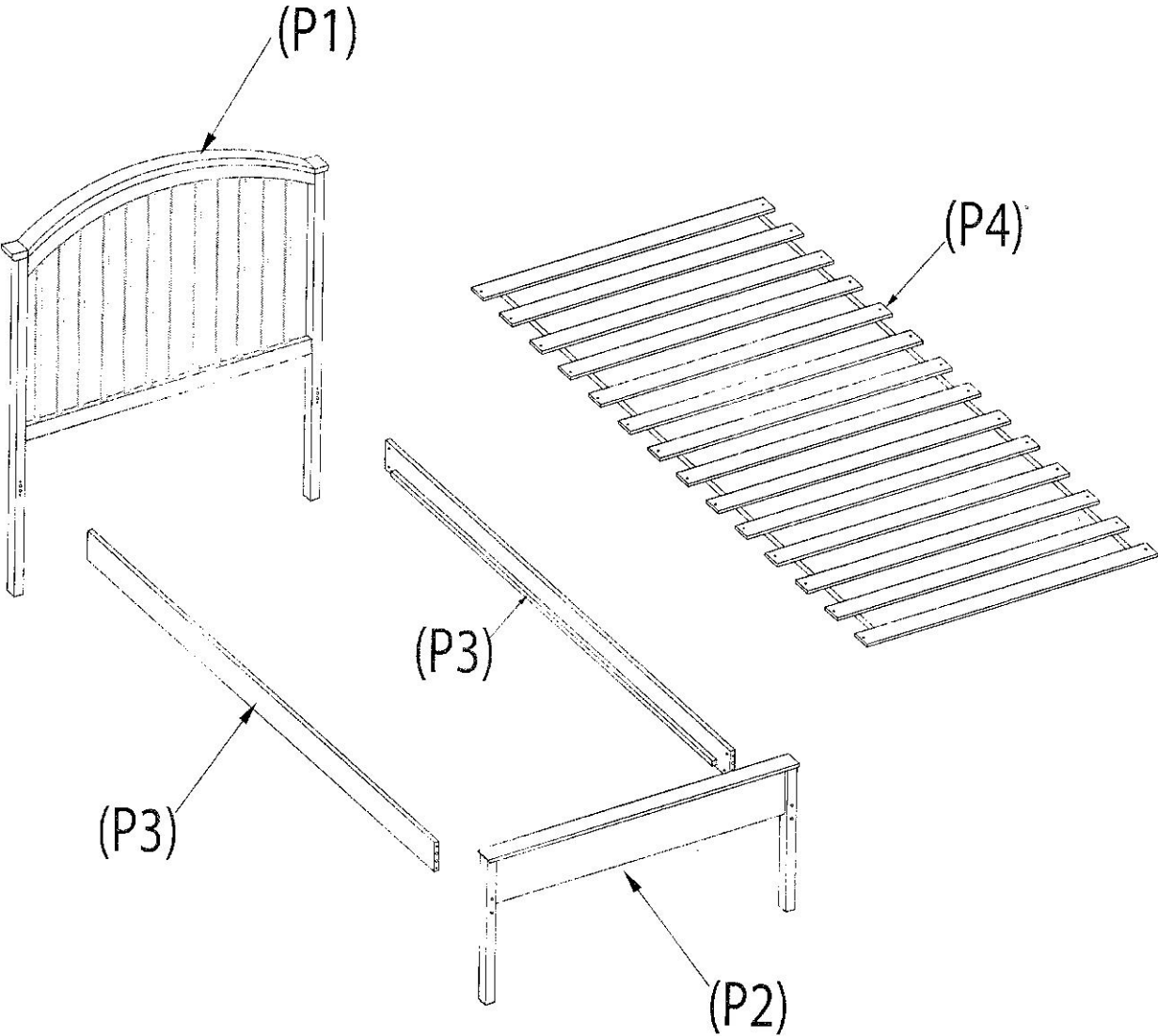
- Keep small parts out of reach of children
- Make sure the legs remain in contact with the ground
- Do not use power tools to construct this product
- Do not tighten screws until fully assembled
- Do not over tighten screws or bolts
- Do not use this product if parts are missing, damaged or worn
- Do not stand on the product

### CARE INFORMATION

- Never use scourers, abrasives or chemical cleaners
- To clean and wipe with a sponge and warm soapy water. Do not use solvent based cleaners or detergents as they can bleach or damage the product

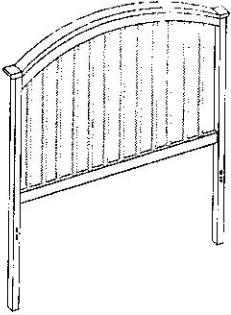
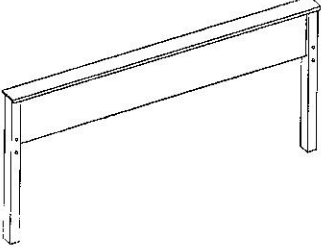
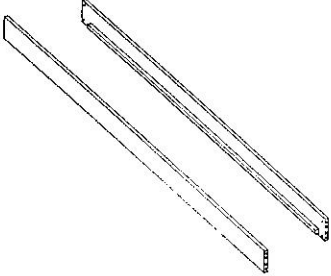
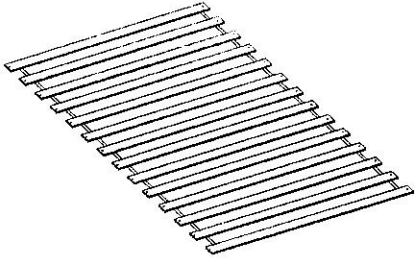
# MADRID LOW FOOTBOARD BED 3FT ASSEMBLY INSTRUCTIONS

Please check the pack contents before assembling the product. If any components are missing, please contact your retailer. The fittings pack contains small items that should be kept away from small children.



# MADRID LOW FOOTBOARD BED 3FT ASSEMBLY INSTRUCTIONS

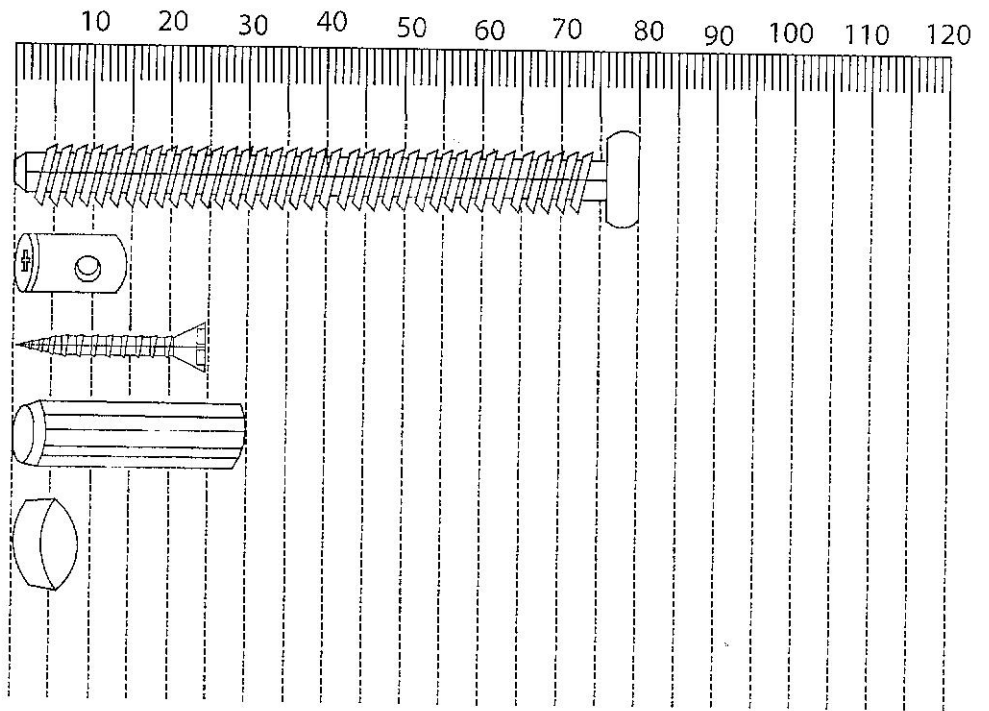
## Parts

<p>P1</p> 	<p>P2</p> 	<p>P3</p> 
<p>HEADBOARD 1PC Carton No:1</p>	<p>FOOTBOARD 1PC Carton No: 1</p>	<p>SIDE RAIL 2PCS Carton No: 2</p>
<p>P4</p> 		
<p>SLAT 14PC Carton No: 1</p>		

# MADRID LOW FOOTBOARD BED 3FT ASSEMBLY INSTRUCTIONS

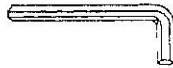
Fixings (to scale)

Ref	Dimensions	Qty
H1	JCBC SCREW M6 X 80MM	8
H2	BARREL NUT M6 X 13MM	8
H3	SCREW CSK M4 X 25MM	28
H4	DOWEL M10 X 30MM	8
H5	WOOD BUTTON 8MM	8



(Not to scale)

Ref	Dimension	Qty
H6	ALLEN KEY M4	1

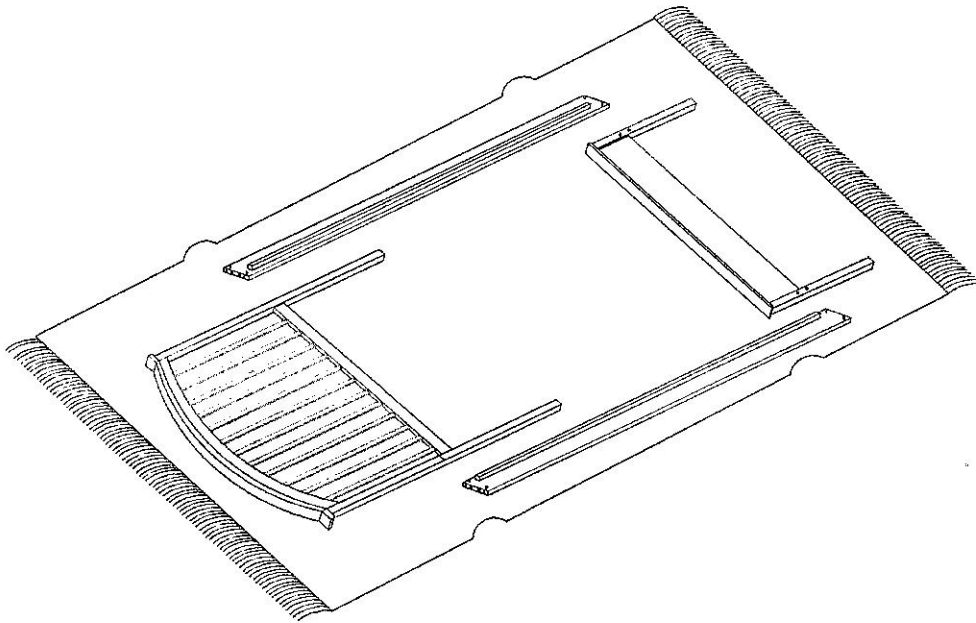


**CAUTION:** There are many small components used in the construction of this product. Please keep these components away from young children whilst assembling this product.

If you keep the fittings in a bowl during assembly you will be less likely to lose them

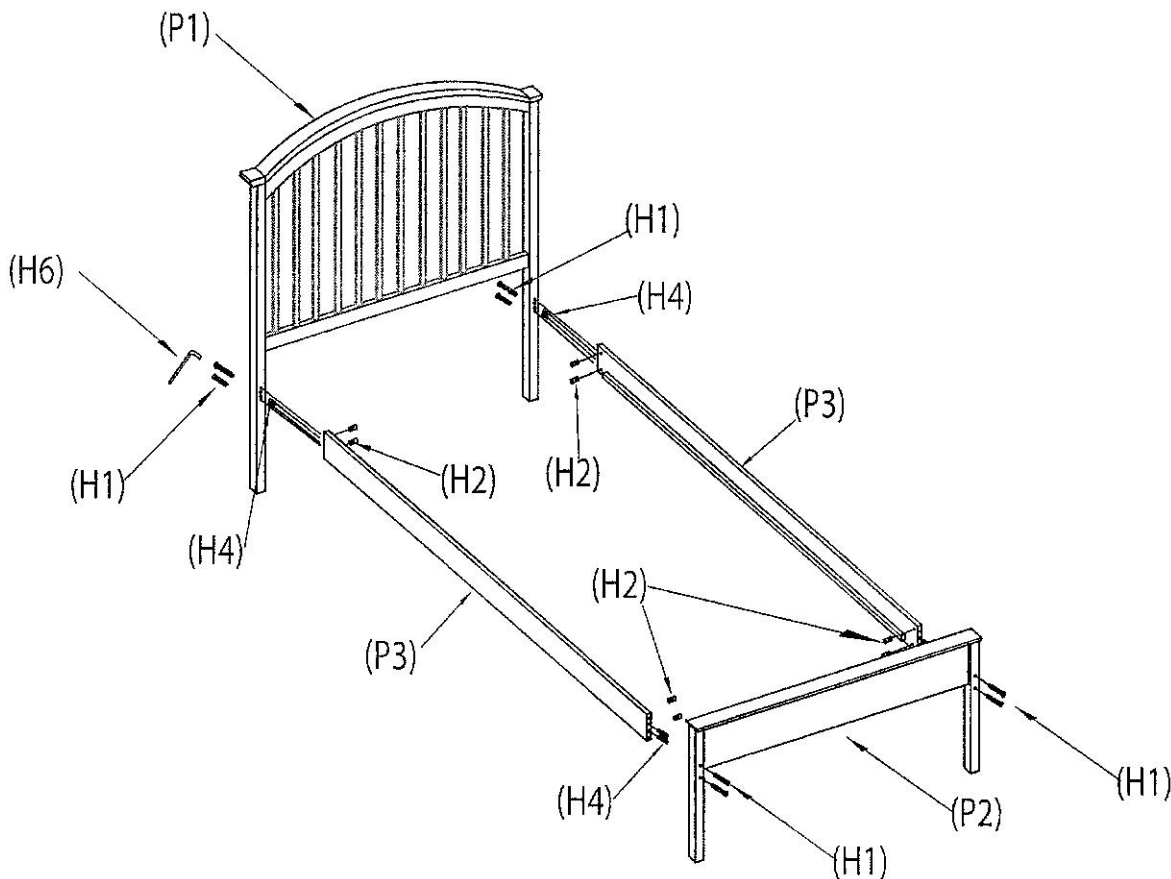
# MADRID LOW FOOTBOARD BED 3FT ASSEMBLY INSTRUCTIONS

Lay out all 4 sides on a soft surface i.e. Rug, Carpet or Packaging Carton



## STEP 1

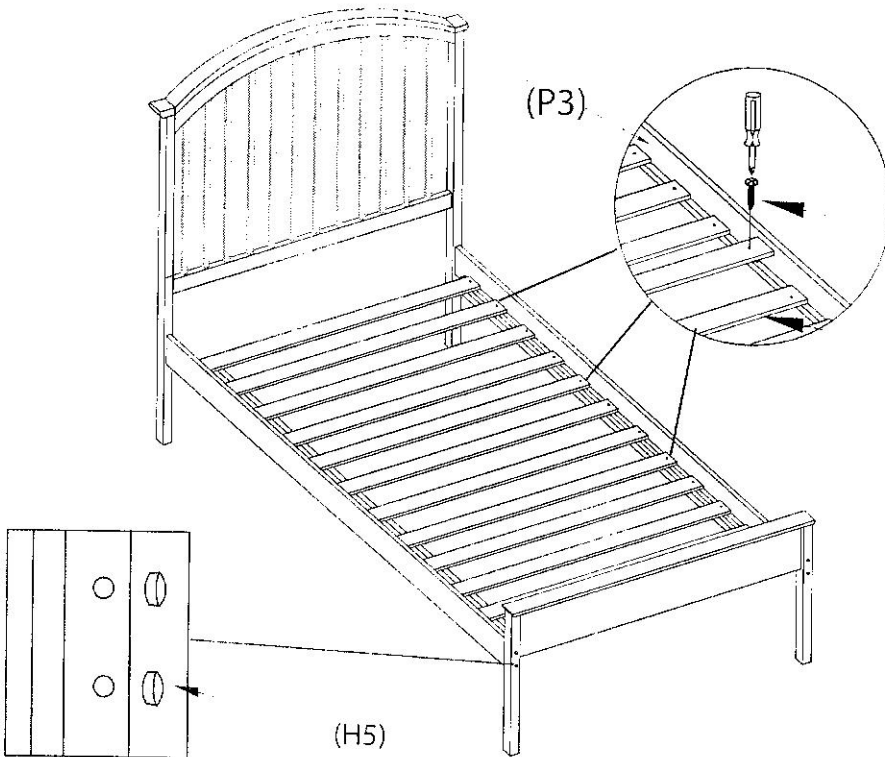
### Parts Required



- (P1)  
HEADBOARD - 1PC
- (P2)  
FOOTBOARD - 1PC
- (P3)  
SIDE RAIL - 2PCS
- (H1)  
JCBC SCREW  
M6 x 80MM - 8pcs
- (H4)  
DOWEL  
M10 x 30MM - 8pcs
- (H6)  
M4 Allen Key - 1pc
- (H2)  
BARREL NUT - 8pcs

# MADRID LOW FOOTBOARD BED 3FT ASSEMBLY INSTRUCTIONS

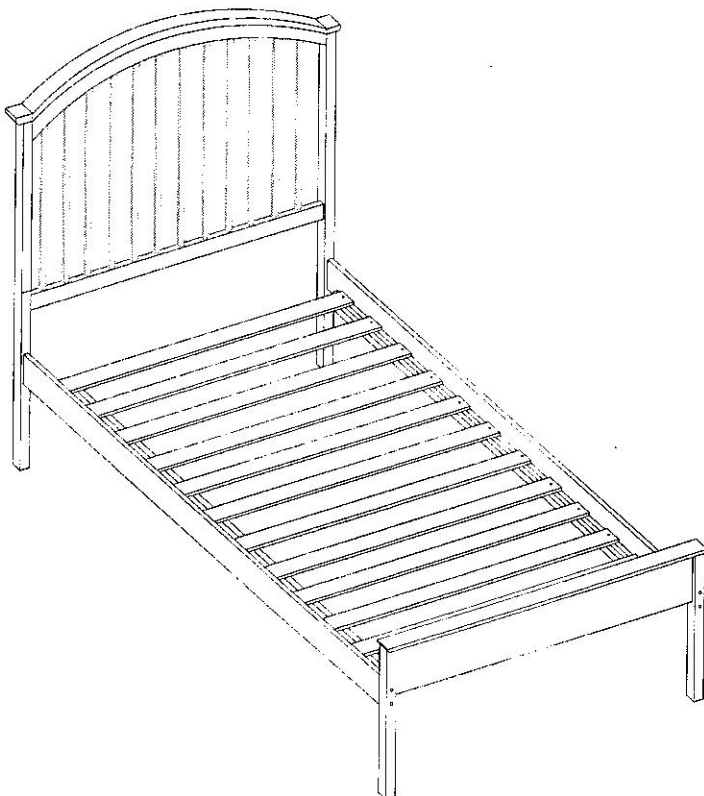
STEP 2



Parts  
Required

- (P3)  
SIDE RAIL  
- 2 pcs
- (P4)  
WOODEN SLAT  
- 14 pcs
- (H3)  
SCREW CSK  
M4 X 25  
- 28 pc
- (H5)  
wood button  
- 8 pcs

## COMPLETE ASSEMBLY



Keep instructions for future reference

