



Birlea

Suppliers of inspiration

Vendor: S000139



ASSEMBLY INSTRUCTIONS **LYNX 4 DOOR 2 DRAWER ROBE**

IMPORTANT: READ THESE INSTRUCTIONS CAREFULLY BEFORE ATTEMPTING TO ASSEMBLE OR USE YOUR LYNX 4 DOOR 2 DRAWER ROBE.

PLEASE KEEP THESE INSTRUCTIONS FOR FUTURE REFERENCE.

ASSEMBLY:

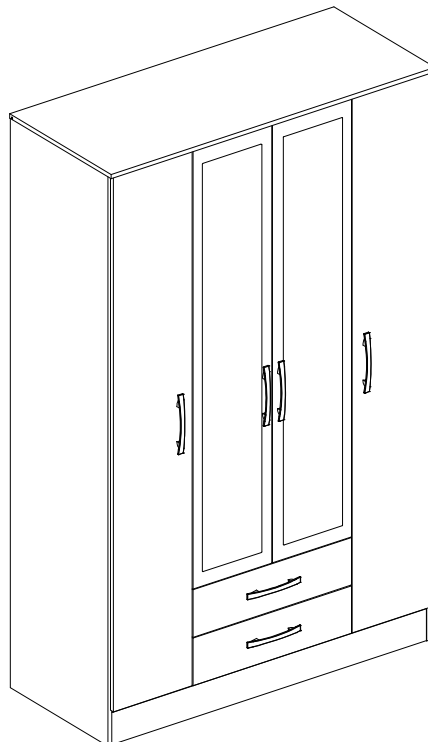
Assembly should be carried out with this item laying flat, not standing upright.
Assemble on a soft, clean surface to prevent damages.
To erase the numbers printed on the pieces, use the rubber into the accessories pack.

HEALTH & SAFETY:

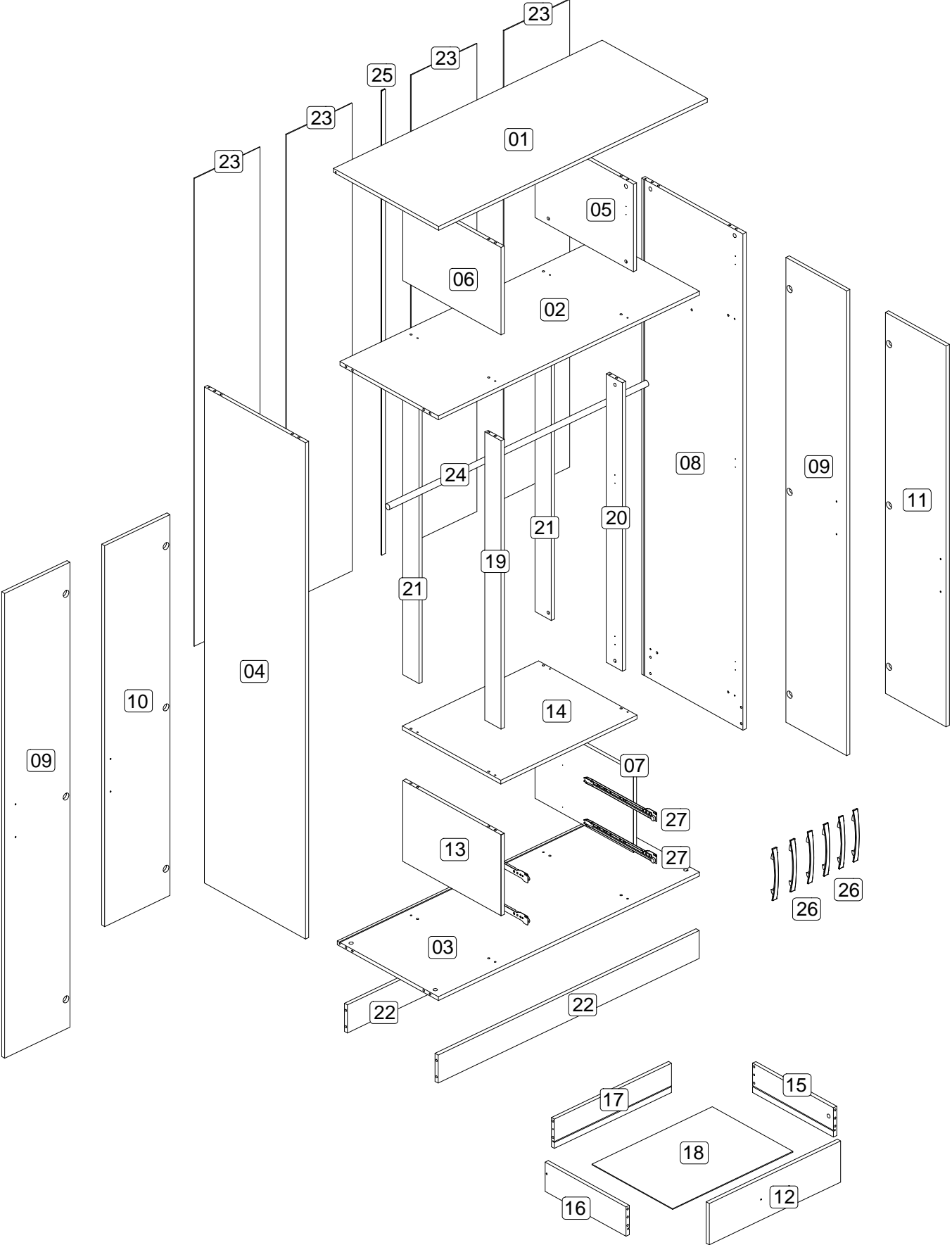
DO NOT use this wardrobe if any parts are missing, damaged or worn.
DO NOT use this wardrobe unless all fixings are secured.
Always use on a level, even surface.

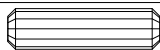
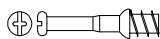


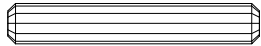
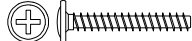
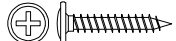

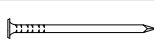






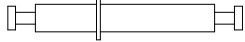

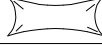


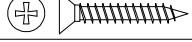

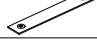


CARE & MAINTENANCE:

Periodically check all screws & fixings to ensure they are secure.
DO NOT push the wardrobe as this will damage the base.
Always lift the wardrobe with two people to reposition.
Keep any sharp objects away from the wardrobe.

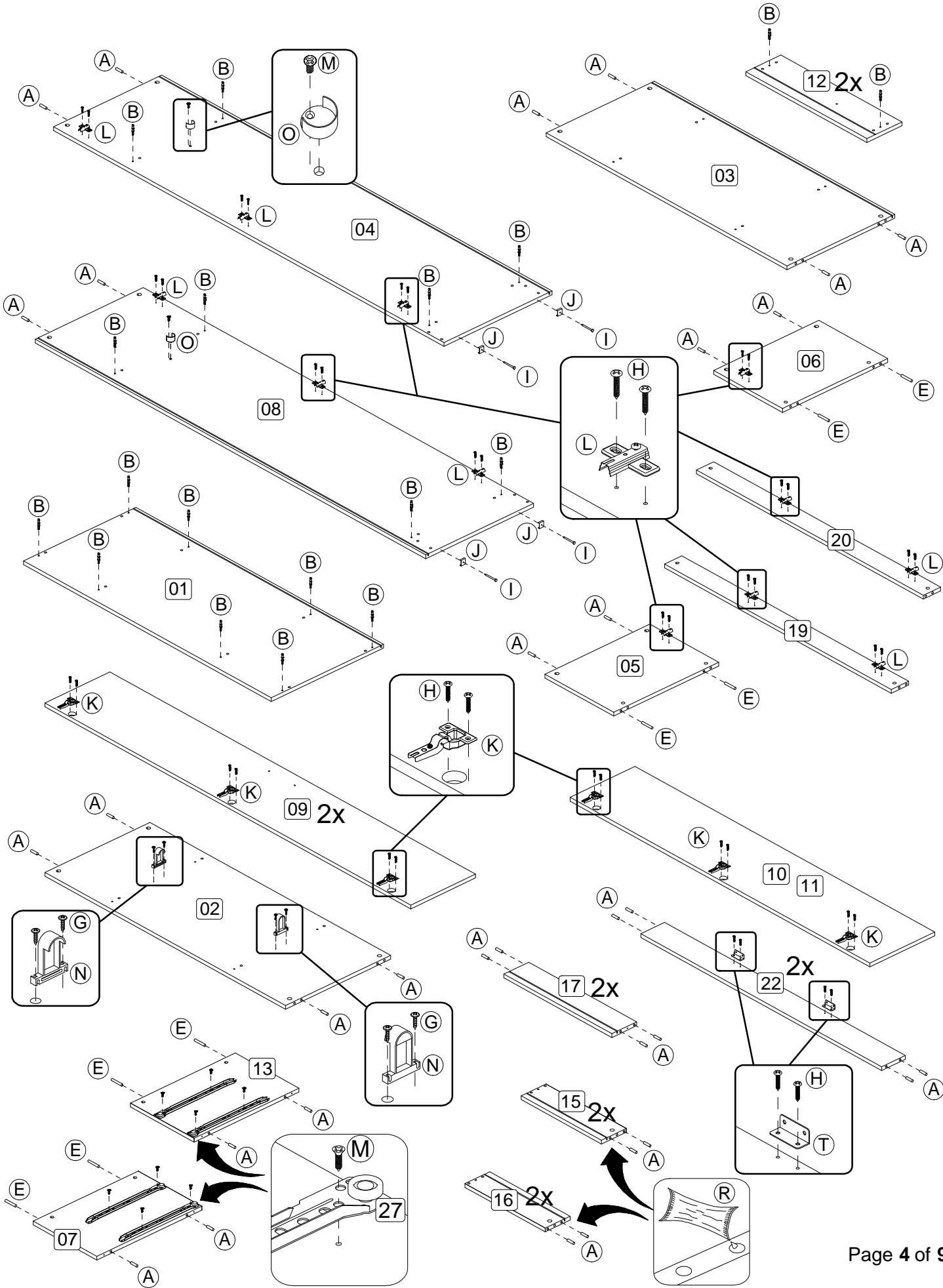


www.birlea.com



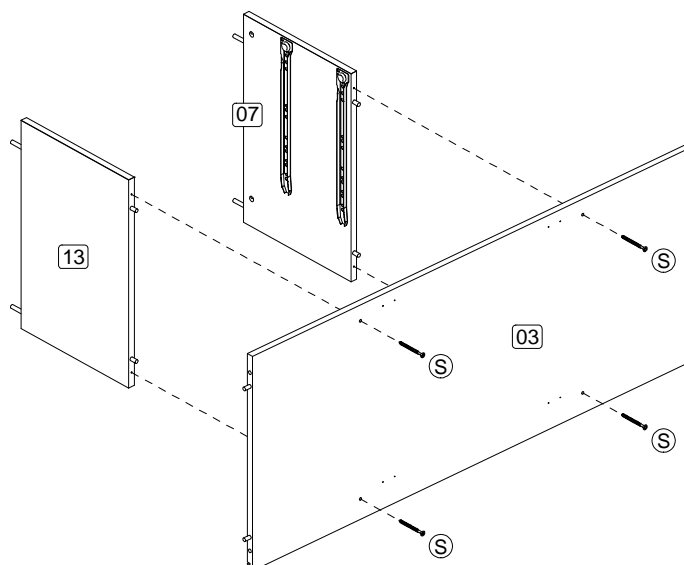
Parts List				Hardware List			
Part	Description	Box	Qty	Part	Description		Qty
01	Top Panel	1	1	A	8*30mm Wooden Dowel		44
02	Shelf	1	1	B	Simple Minifix Screw		20
03	Base Panel	1	1	C	Cam Lock		36
04	Left Panel	2	1	D	Plastic Cap		32
05	Right Shelf Divider	1	1	E	8*50mm Wooden Dowel		8
06	Left Shelf Divider	1	1	F	3.5*25mm Screw		12
07	Drawer Cabinet - Right Panel	1	1	G	3.5*20mm Screw		4
08	Right Panel	2	1	H	3.5*14mm Screw		65
09	Door	3	2	I	10*10mm Tack		20
10	Left Mirrored Door	3	1	J	Small Plastic Foot		6
11	Right Mirrored Door	3	1	K	Hinge		12
12	Drawer Front	1	2	L	Hinge Bracket		12
13	Drawer Cabinet - Left Panel	1	1	M	3*14mm Screw		18
14	Drawer Cabinet - Top Panel	1	1	N	Open Rail Support		2
15	Right Side Drawer Panel	1	2	O	Rail Support		2
16	Left Side Drawer Panel	1	2	P	Double Minifix Screw		8
17	Back Drawer Panel	1	2	Q	Metal Claw		14
18	Drawer Base	1	2	R	Glue		1
19	Left Front Support	1	1	S	4.5*45mm Screw		8
20	Right Front Support	1	1	T	Metalic Angle Plates		4
21	Back Supports	1	2	U	3.5*20mm Screw		12
22	Plinths	1	2	V	Triangle Suport		12
23	Back Panel	2	4	W	Strap		1
24	Hanging Rail	1	1	X	Bushing		1
25	Spine	2	1	Y	5 x 60 mm Screw		1
26	Handles	3	6	** You will need a small mallet and a screwdriver for assembly. ** Some screws and wooden dowel may remain.			
27	Drawer Runners	1	2				

Step 1: Prepare these parts for assembly using hardware parts A, B, E, G, H, I, J, K, L, M, N, O, R and T. You will need to use a small mallet and a screwdriver (not provided). **DO NOT use any power tools as this may damage the frame and will invalidate any claim.**



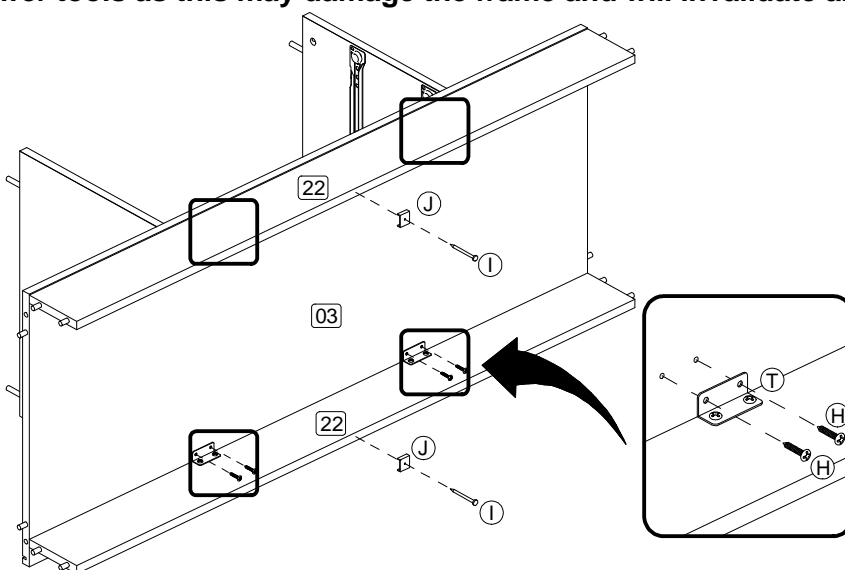
Step 2: Attach the drawer cabinet right panel (7) and drawer cabinet left panel (13) to the base panel (3) using hardware part S and a screwdriver (not provided).

DO NOT use any power tools as this may damage the frame and will invalidate any claim.



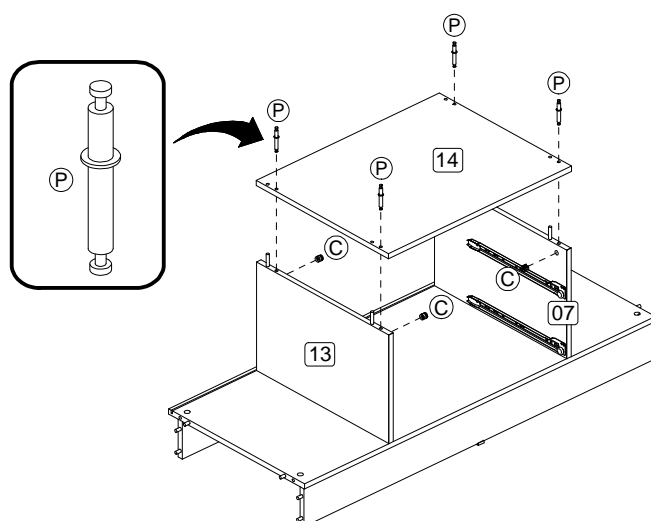
Step 3: Attach the plinths (22) to the base panel (3) using hardware parts H and T with a screwdriver (not provided). Fix hardware part J to the base using hardware part I and a small mallet (not provided).

DO NOT use any power tools as this may damage the frame and will invalidate any claim.

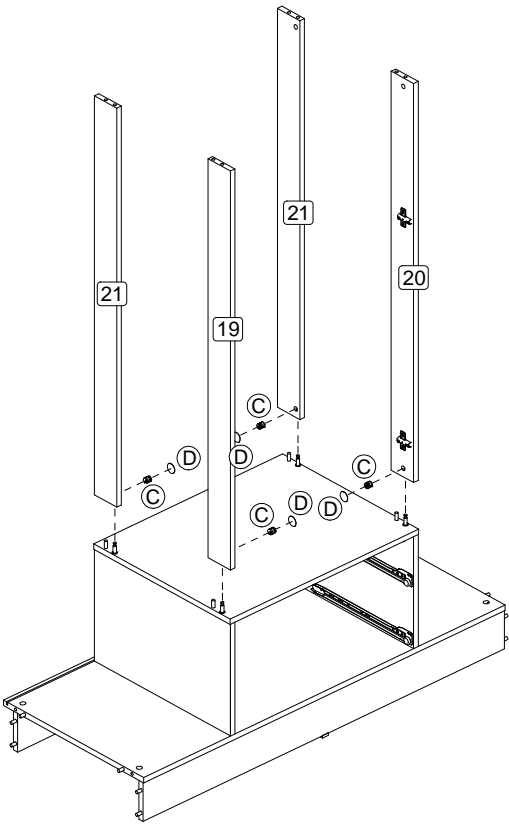


Step 4: Attach the drawer cabinet top panel (14) using hardware parts C and P with a screwdriver (not provided).

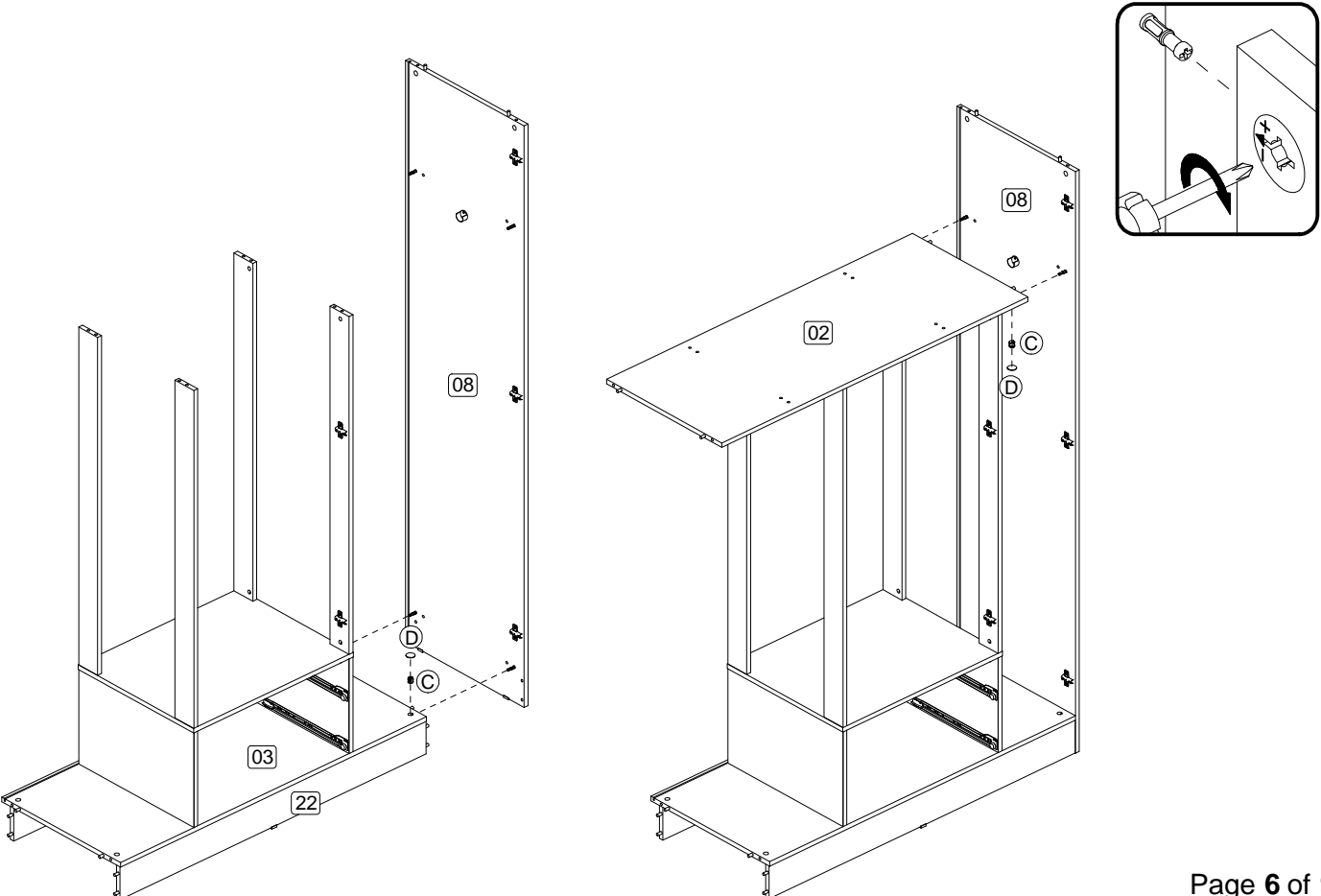
DO NOT use any power tools as this may damage the frame and will invalidate any claim.



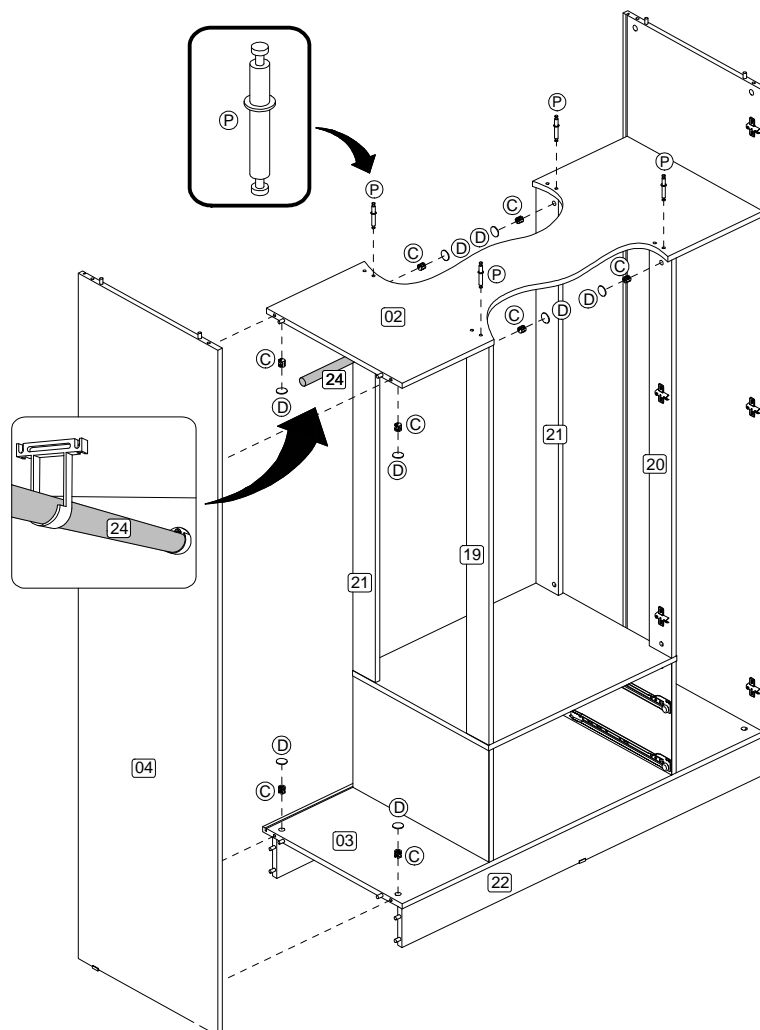
Step 5: Attach the supports using hardware parts C and D with a screwdriver (not provided).
DO NOT use any power tools as this may damage the frame and will invalidate any claim.



Step 6: Attach the right panel (8) and shelf (2) using hardware parts C and D and a screwdriver (not provided).
DO NOT use any power tools as this may damage the frame and will invalidate any claim.

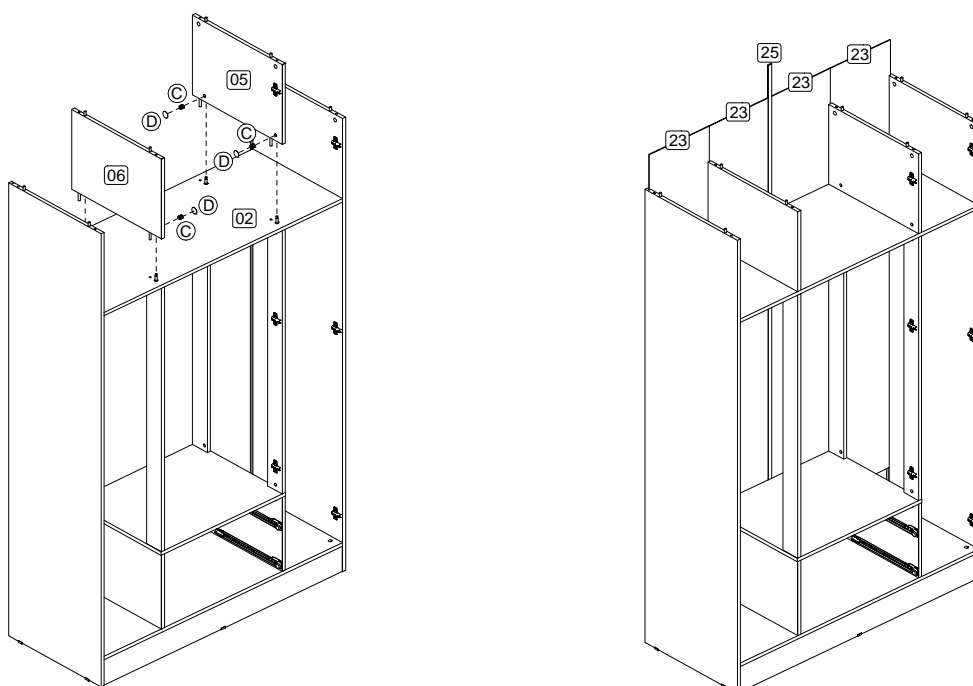


Step 7: Secure the shelf (2) to the supports using hardware parts C, D and P. Position the hanging rain (24). Attach the left panel (4) using hardware parts C and D. You will need to use a screwdriver (not provided). **DO NOT use any power tools as this may damage the frame and will invalidate any claim.**

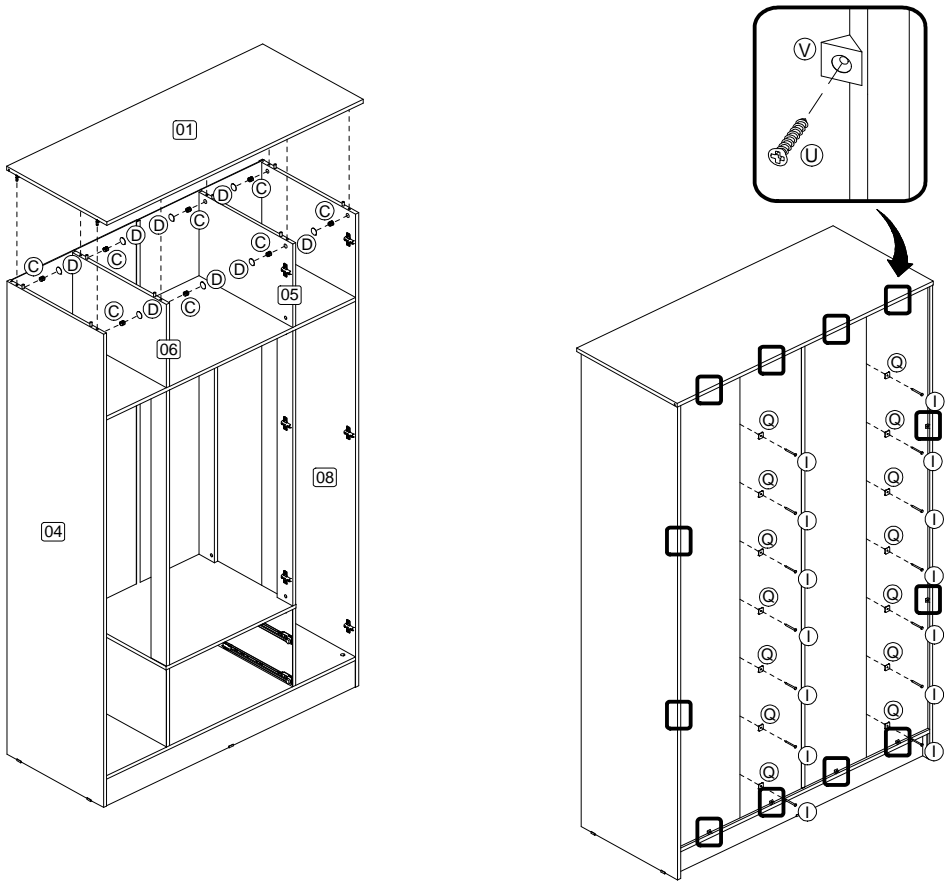


Step 8: Attach the shelf dividers using hardware parts C and D with a screwdriver (not provided). Connect two back panels (23) together with the spine (25) and position.

DO NOT use any power tools as this may damage the frame and will invalidate any claim.

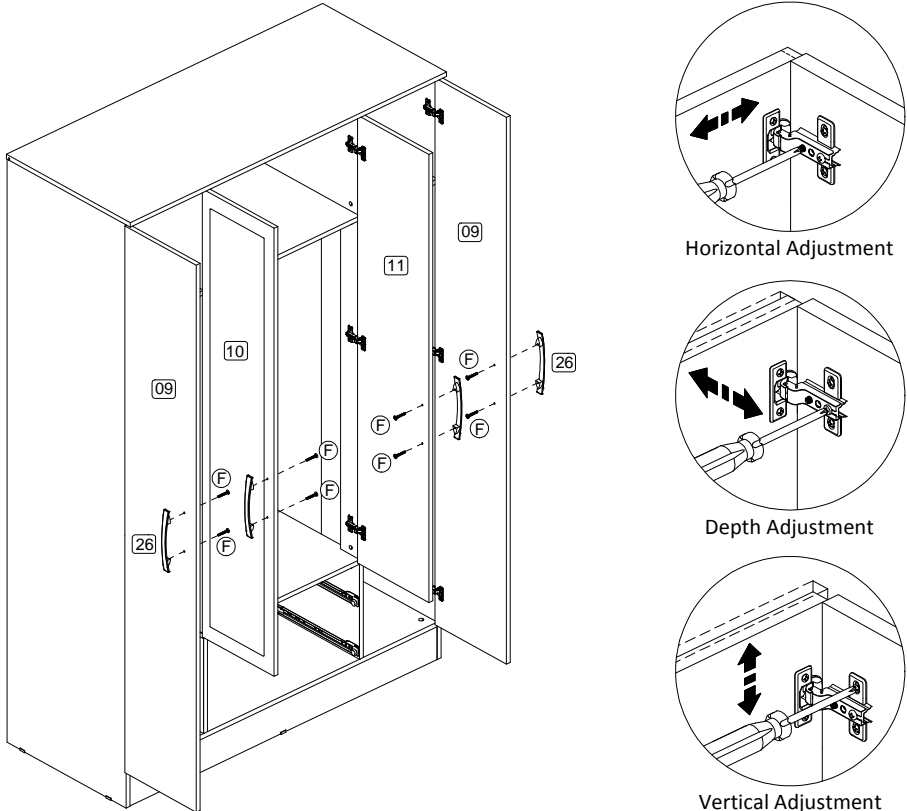


Step 9: Attach the top panel (1) using hardware parts C and D with a screwdriver (not provided). Secure the back panels (23) using hardware parts I, Q, V and U with a small mallet and screwdriver (not provided). **DO NOT use any power tools as this may damage the frame and will invalidate any claim.**



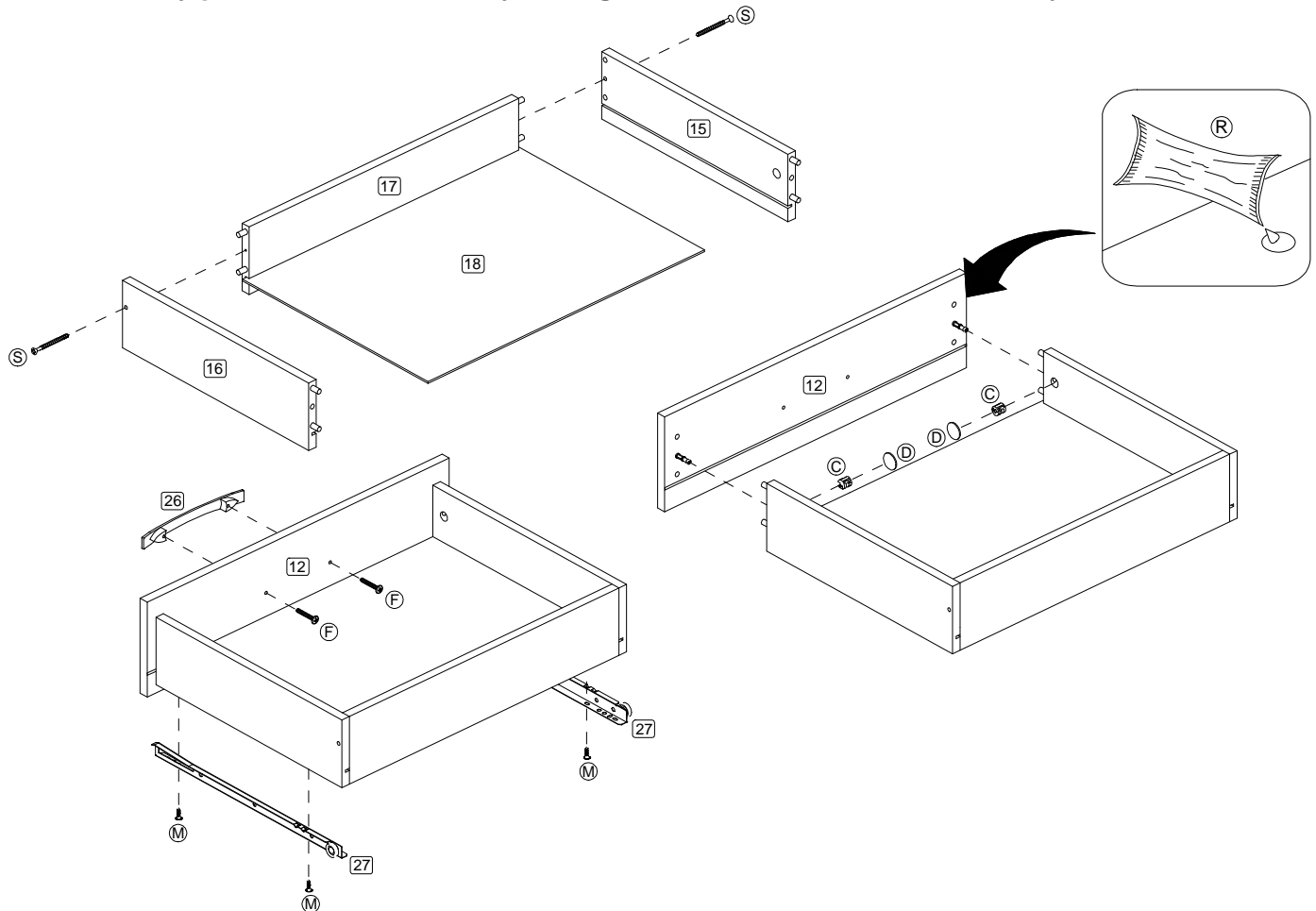
Step 10: Attach the doors as shown, then attach the handles (26) using hardware part F. You will need to use a screwdriver (not provided).

DO NOT use any power tools as this may damage the frame and will invalidate any claim.



Step 11: Assemble the drawer components using hardware parts C, D, F, M, R, and S with a screwdriver (not provided).

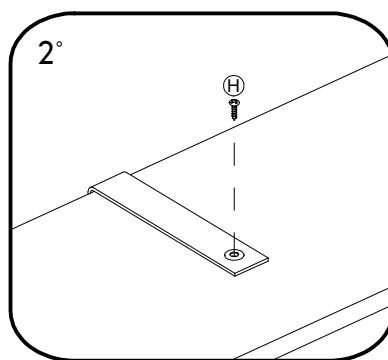
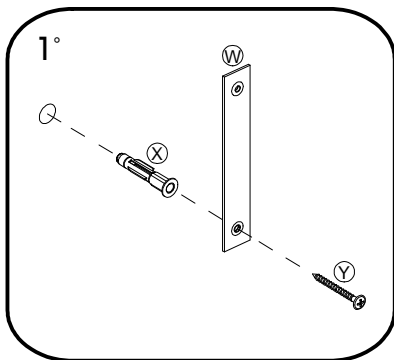
DO NOT use any power tools as this may damage the frame and will invalidate any claim.



Step 12: To secure the item to the wall use hardware parts W, X and Y using a screwdriver (not provided). Then attach hardware part H to the item with a screwdriver (not provided).

DO NOT use any power tools as this may damage the frame and will invalidate any claim.

Birlea Furniture advise you use the wall straps provided to further enhance the safety of this product.



Additional Information:

- For complete product information, images and dimension diagrams please visit the website www.birlea.com
- If you have any issues with your item please contact the retailer directly you purchased it from who will be able to resolve any issues with Birlea.
- Why don't you send us photos of your assembled furniture to info@birlea.com to be shared in our #birleahome feature on Instagram.



Birlea

Suppliers of inspiration