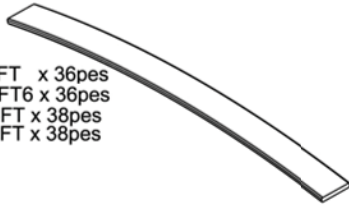


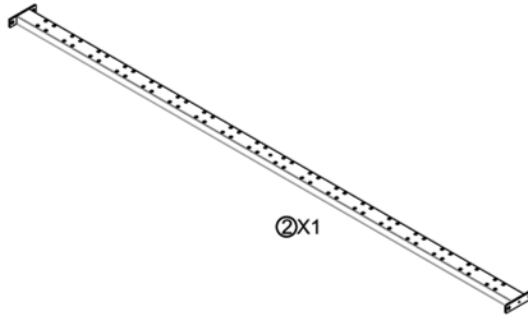
- o Wipe clean using a soft damp cloth followed by a dry cloth.
- o Do not use abrasives or cleaning products which may contain ammonia or solvents.
- o Take care when handling or moving the furniture. Careless handling can damage wooden furniture, try to lift rather than drag.
- o 5mm gaps should be set-up between the base of the centre support legs and the floor.

PARTS LIST











①
4FT x 36pes
4FT6 x 36pes
5FT x 38pes
6FT x 38pes



②X1

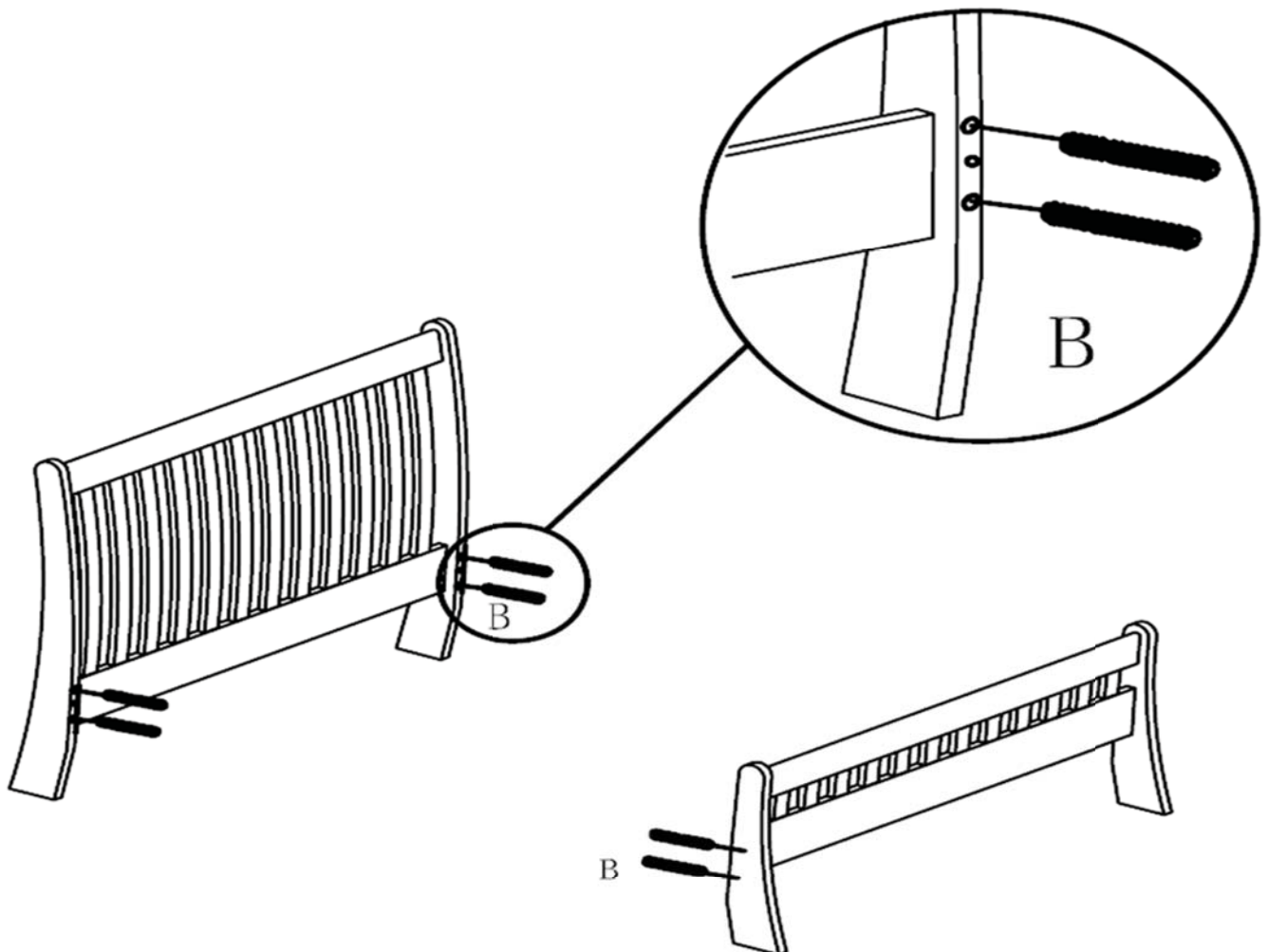


HARDWARE LIST

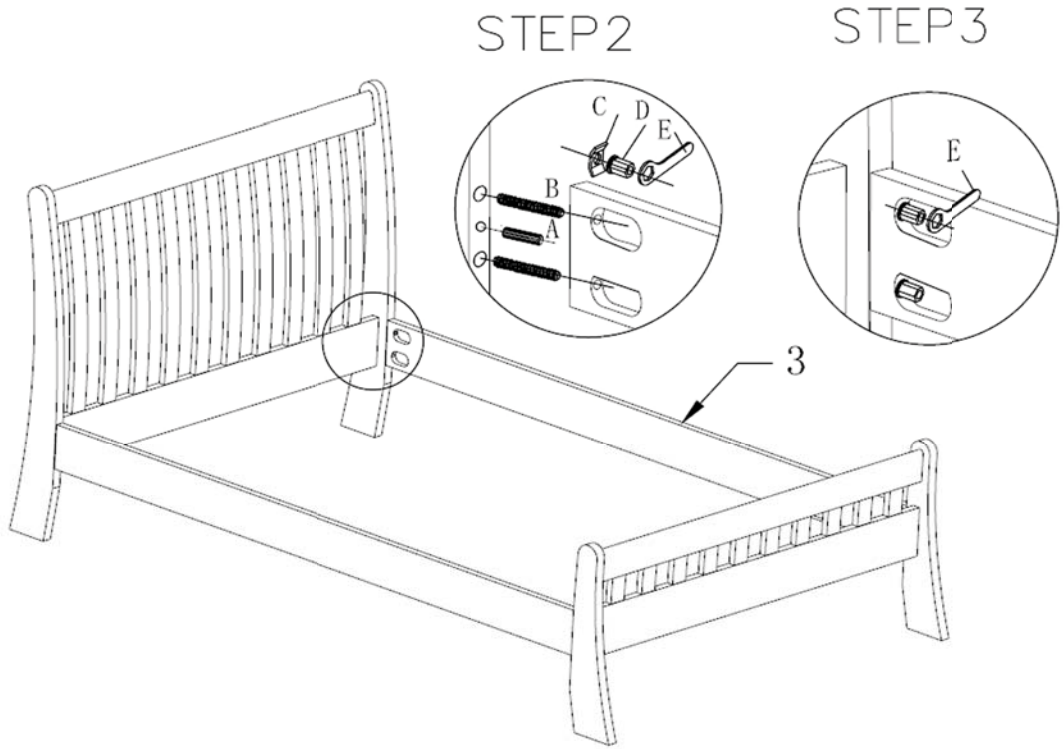
- 
 Ⓐ 10mm*40mm=4pcs
 - 
 Ⓑ M6*80mm=8pcs
 - 
 Ⓒ 30mm*17mm=8pcs
 - 
 Ⓓ M10*17mm=8pcs
 - 
 Ⓔ 1pc
 - 
 Ⓕ 4FT x 72pes
 Ⓖ 4FT6 x 72pes
 Ⓗ 5FT x 76pes
 Ⓙ 6FT x 76pes
 - 
 Ⓖ 1pc
 - 
 Ⓗ 1pc
- 
 Ⓚ M6X40mm=1pc
 - 
 Ⓛ M6X20mm=4pcs

STEP 1

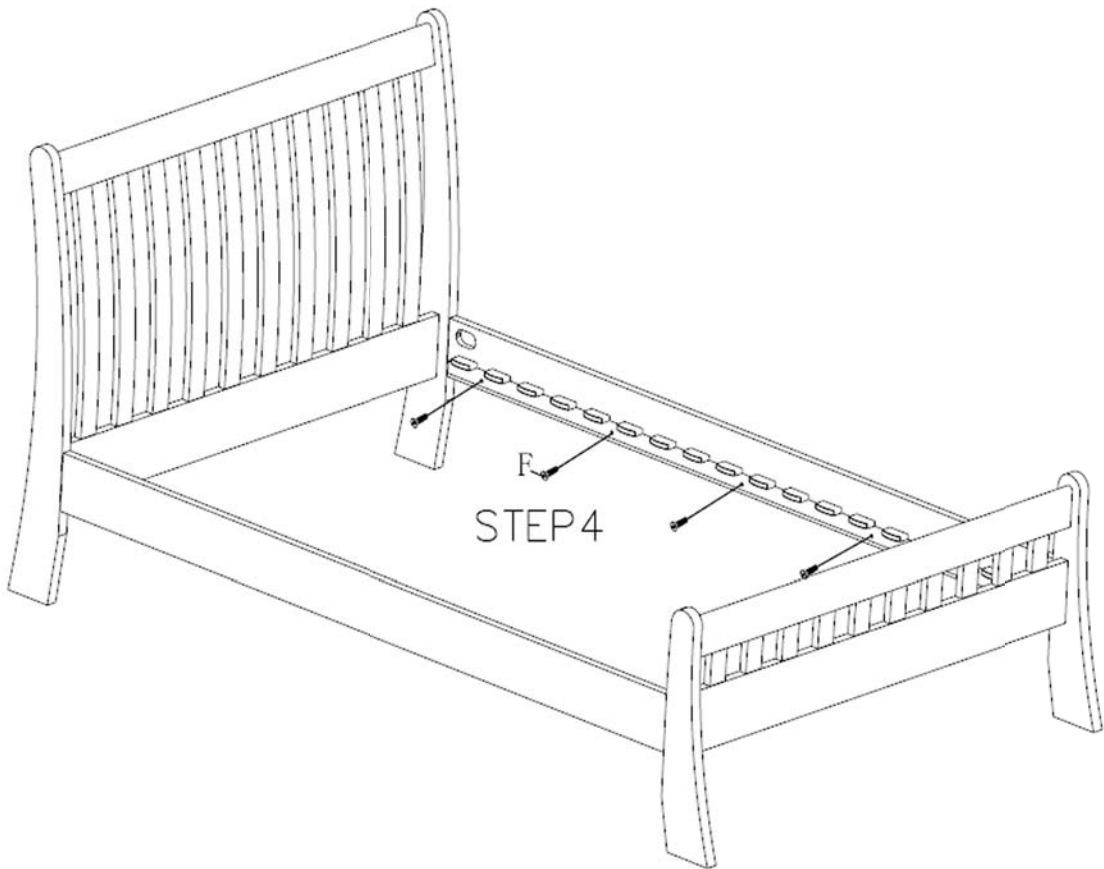
SETP1



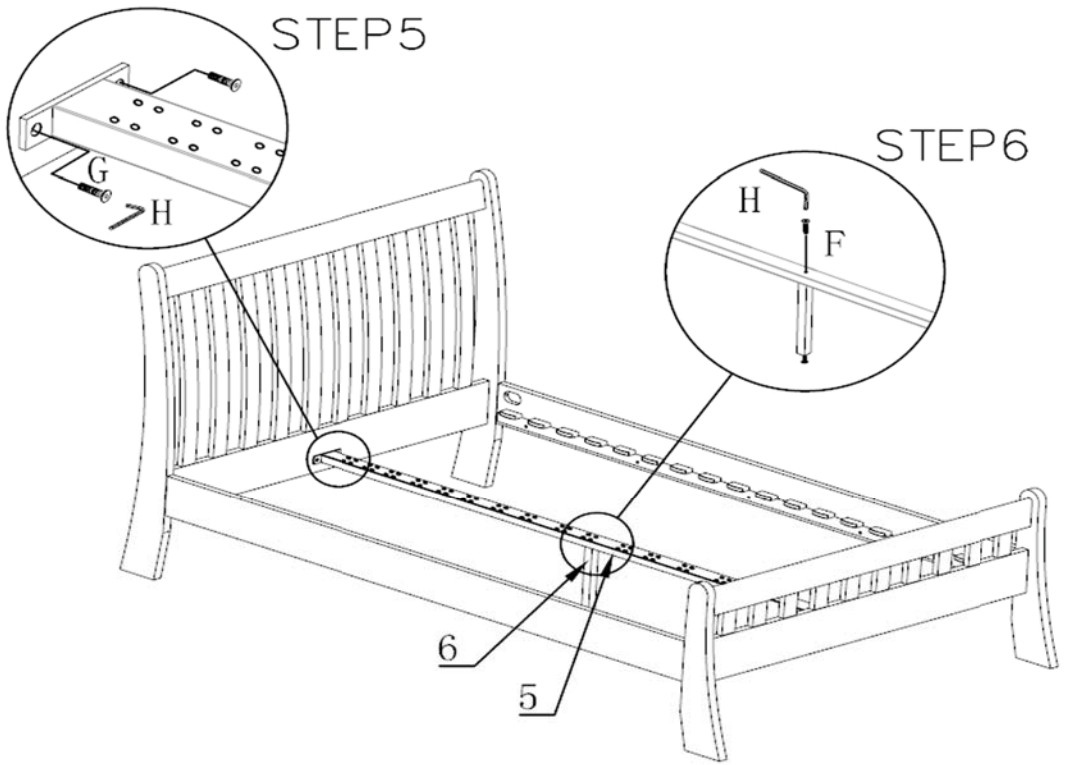
STEP3



STEP4



STEP5



STEP6

