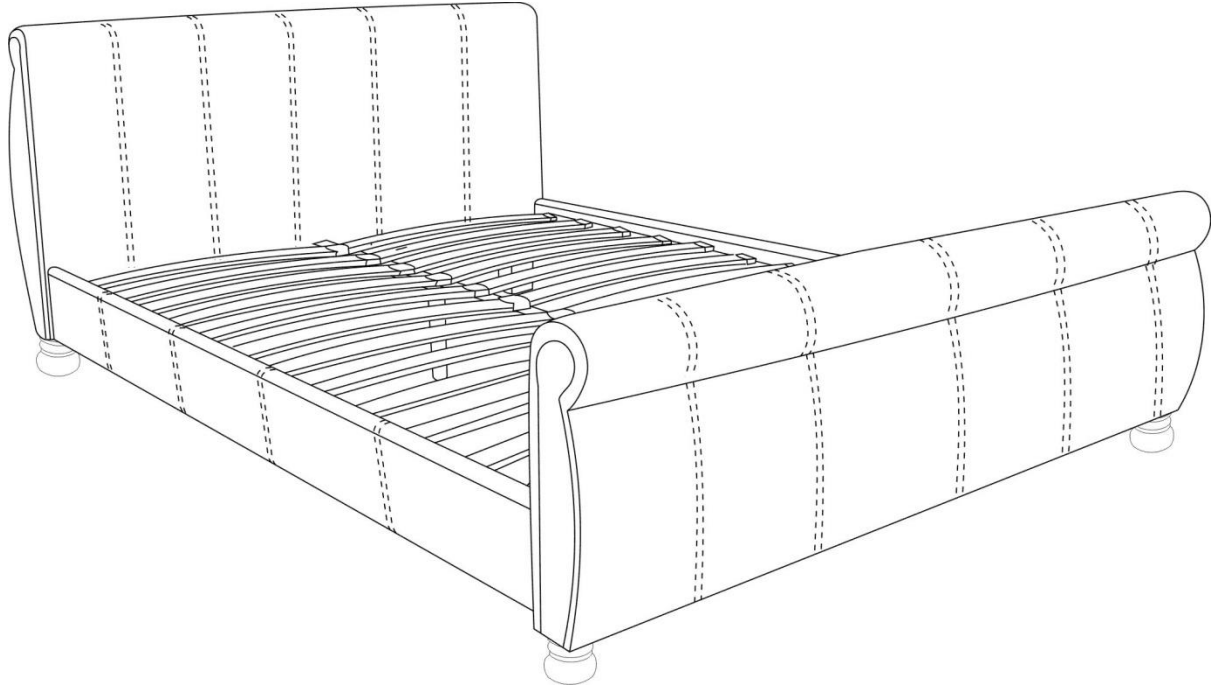


CHICAGO BED ASSEMBLY INSTRUCTIONS

Thank you for purchasing the CHICAGO BED. Please read the instructions carefully to ensure safe operation of the product.



1460 x 2300 x 1150mm/4ft 6 Double/ Brown/ Faux Leather

PLEASE READ this sheet prior to assembly to familiarise yourself with the various stages of construction.

Carefully open the pack supplied and check the contents against the parts and fittings check list. Do not destroy any of the packaging until you are certain that you have all the necessary parts for the assembly.

CAUTION: There are small components used in the construction of this unit. These loose items should be kept away from young children whilst assembling your unit to avoid the danger of choking hazards.

Tools Required



CHICAGO BED ASSEMBLY INSTRUCTIONS

IMPORTANT - READ CAREFULLY - RETAIN THESE INSTRUCTIONS FOR FUTURE REFERENCE.

INFORMATION

- This product is intended for a maximum person's weight of 80kg per side. Do not exceed this weight.
- Due to the size of this product we recommend that it is assembled in the room intended for use.
- When you are ready to start, make sure that you have the right tools, plenty of space and a clean, dry area for assembly.
- Unwrap all packaging materials and place the components on top of the carton box or on a clean floor to prevent it from scratching.
- Check the pack and make sure you have all the parts listed.
- Ensure that this product is fully assembled and secured as illustrated before use.
- Check all screws or bolts are tightened and inspect regularly.
- This product should only be used on firm, level ground.
- Please dismantle for transportation
- Tools are included.

WARNINGS

- Keep small parts out of reach of children.
- Make sure the legs remain in contact with the ground.
- Do not use power tools to construct this product.
- Do not tighten screws until fully assembled.
- Do not over tighten screws or bolts.
- Do not use this product if parts are missing, damaged or worn.
- Do not stand on the product.

CARE INFORMATION

- Never use scourers, abrasives or chemical cleaners.
- To clean wipe with a sponge and warm soapy water. Do not use solvent based cleaners or detergents as they can bleach or damage the product.

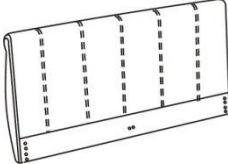
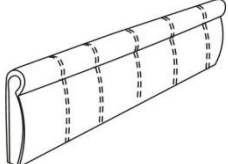
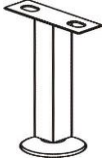
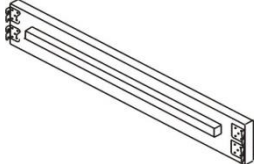
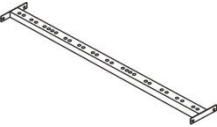
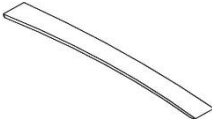
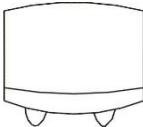
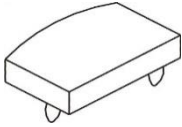

CHICAGO BED ASSEMBLY INSTRUCTIONS

Parts and Fittings Checklist



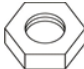




Please check the pack contents before assembling this product. If any components are missing, please contact your retailer.

The fittings pack contains small items that should be kept away from small children.

Parts

<p>1</p>  <p>Headboard x 1</p>	<p>2</p>  <p>Footboard x 1</p>	<p>3</p>  <p>Support Leg x 3</p>	<p>4</p>  <p>Side Rail x 2</p>
<p>5</p>  <p>Support Bar x 1</p>	<p>6</p>  <p>Slat x 26</p>	<p>7</p>  <p>Centre Slat Cap x 13</p>	<p>8</p>  <p>Plastic Slat Cap x 26</p>
<p>9</p>  <p>Leg x 4</p>			

Fittings

Code	Description	Image	Quantity
A	M8x30mm Bolt		20
B	M8x40mm Bolt		6
C	M8x13mm Nut		6
D	M8 Spring Washer		26
E	M8 Flat Washer		26
F	5mm Allen Key		1
G	M8x70mm Spanner		1

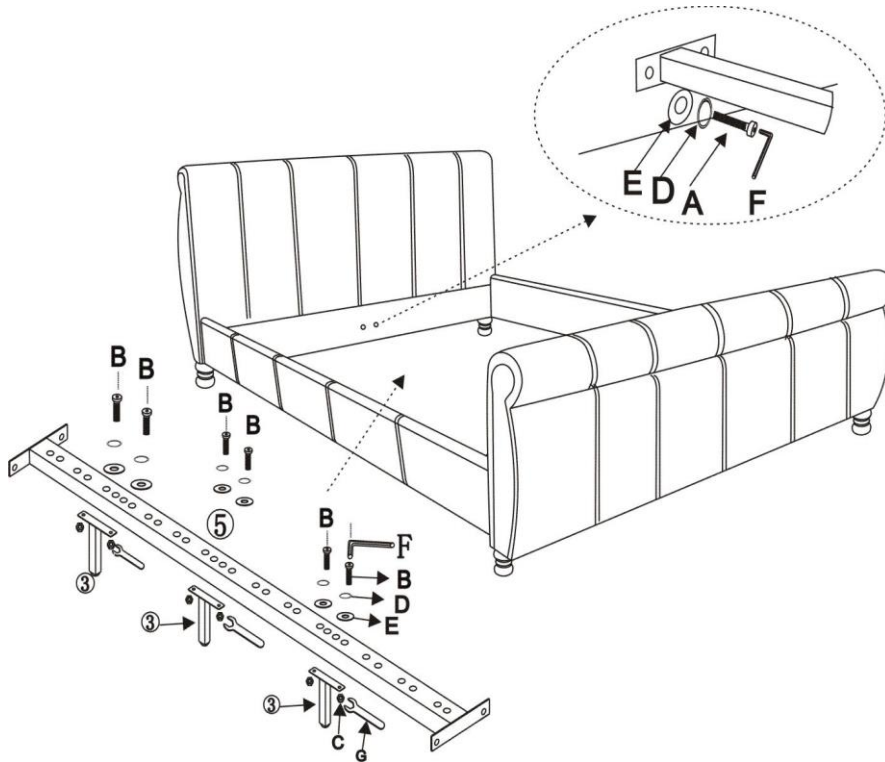
CHICAGO BED ASSEMBLY INSTRUCTIONS

STEP 1	
	<p>PARTS REQUIRED</p> <ul style="list-style-type: none"> 1. Headboard x 1 2. Footboard x 1 9. Leg x 4

STEP 2	
	<p>PARTS REQUIRED</p> <ul style="list-style-type: none"> 1. Headboard x 1 2. Footboard x 1 4. Side Rail x 2 F. Allen Key x 1 A. M8x30mm x 16 D. Spring Washer x 16 E. Flat Washer x 16
<p>MAKE CERTAIN THE BED IS SQUARE AS SHOWN.</p> <p>Note: THEN tighten all bolts 100% using allen key</p> <div style="text-align: center;"> </div>	

CHICAGO BED ASSEMBLY INSTRUCTIONS

STEP 3

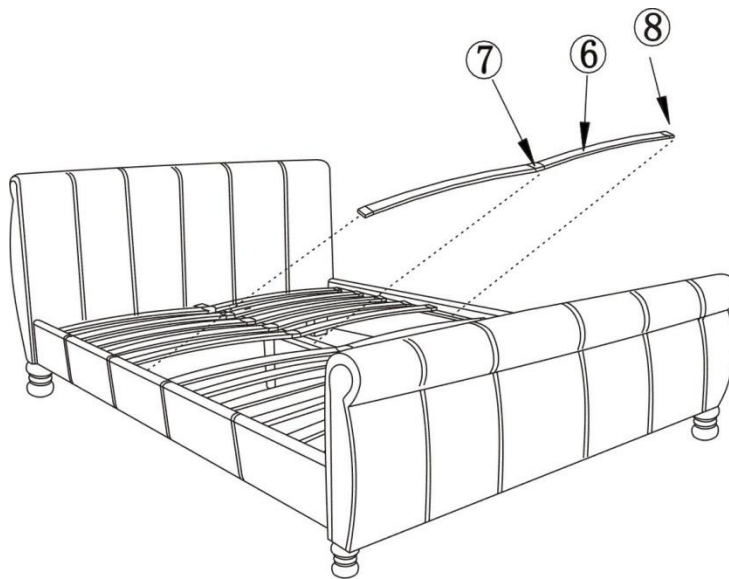


PARTS REQUIRED

- 5. Support Bar x 1
- 3. Support Leg x 3

- B. M8x40mm x 6
- F. Allen Key x 1
- A. M8x30mm x 4
- D. Spring Washer x 10
- E. Flat Washer x 10
- C. M8x13mm x 6
- G. Spanner x 1

STEP 4



PARTS REQUIRED

- 7. Centre Slat Caps x 13
- 8. Plastic Slat Cap x 26
- 6. Slat x 26