

ASSEMBLY INSTRUCTIONS

MODEL : ANDROMEDA (ARIZONA)

Thank you for purchasing this quality product. Be sure to lay all components on a soft and clean surface before assembly in order to avoid components from being scratched.

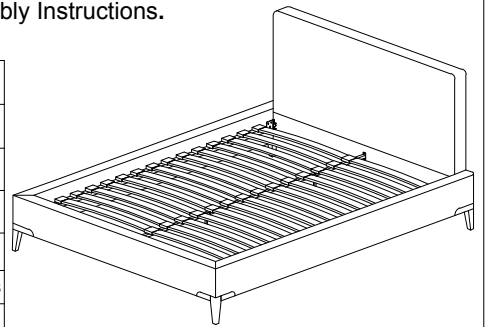
CAUTIONS :

1. Check contents against hardware list for correct quantity.
2. Familiarize yourself with the components and hardware by reviewing the Assembly Instructions.
3. Do not over tightened the screws and bolts as it may damage the threads.
4. Keep all hardware parts out of the reach of children.

HARDWARE LIST		
NO.	DESCRIPTION	QTY
A	M8 X 35MM JCBB SCREW *COME ATTACHED IN HEADBOARD -4PCS *COME ATTACHED IN FOOTBOARD -4PCS	
B	M8 X 25MM JCBB SCREW *COME ATTACHED IN HEADBOARD -2PCS	

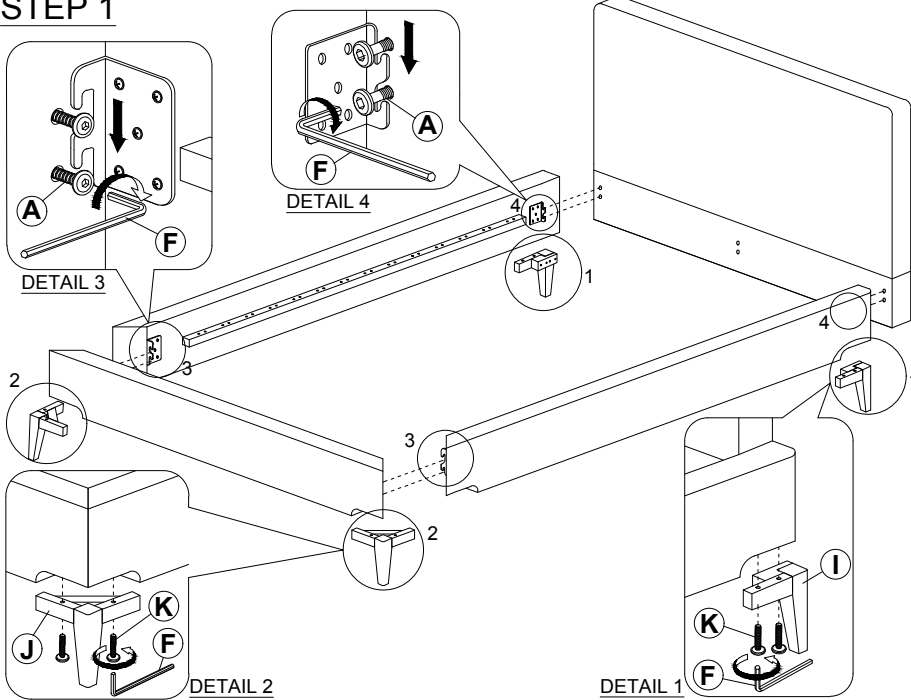
*COME ATTACHED IN FOOTBOARD -2PCS	
C	M6 X 40MM JCBB SCREW 4 PCS
D	MIDDLE RAIL 1PC
E	M4 ALLEN KEY 1 PC
F	M5 ALLEN KEY 1 PC
G	SUPPORT MIDDLE RAIL 2 PCS
H	M6 NUT 4 PCS

I	LEG L	2 PCS
J	LEG M	2 PCS
K	M8 X 50MM JCBB SCREW	8 PCS
L	M8 X 45MM JCBB SCREW	2 PCS
M	FLAT WASHER	2 PCS
N	END CAP	28 PCS
O	MIDDLE CAP	14 PCS
P	SLAT	28 PCS

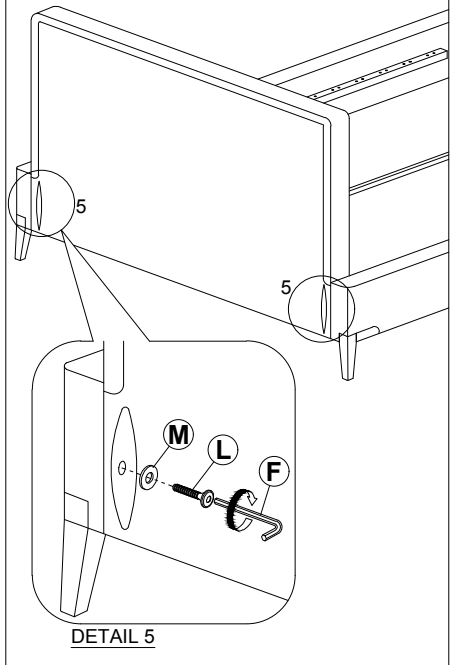


COMPLETED ASSEMBLY

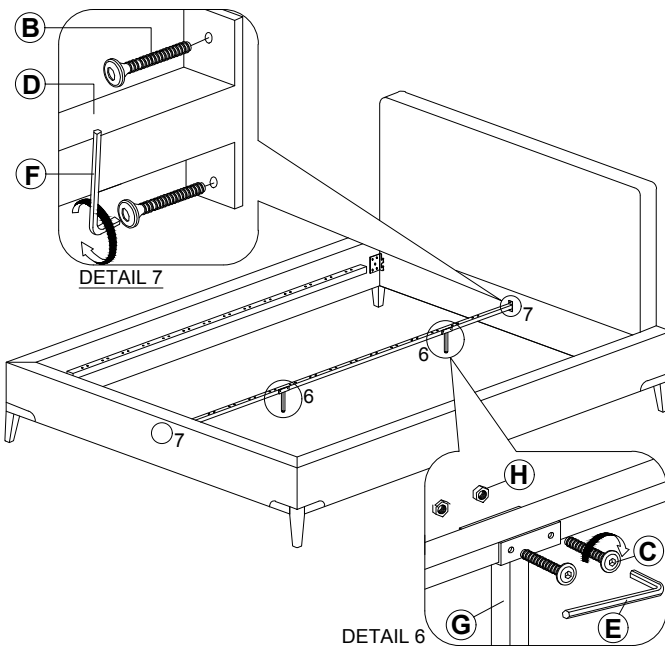
STEP 1



STEP 2



STEP 3



STEP 4

