

BRENNINGTON 75cm to 90cm BED

1. Please read through and follow the step-by-step instructions in the leaflet.
2. We recommend that assembly is done in the room intended for use and it is assembled by two people.
3. Please do not discard any packaging before you have checked all the parts and fittings are included.
4. Assemble this product on a flat and clean surface to avoid scratching.
5. Do not tighten any bolts before all the parts have been assembled loosely. Product and/or fittings might be damaged by over tightening screws or bolts. Beware of cross-threading the screws or nuts during assembly.
6. Keep fittings away from childrens' reach.

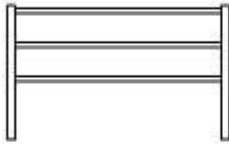
SAFETY WARNING: Do not stand on the bedbase without a mattress on it.

COMPONENT PARTS

[A]-Headend

[B]-Footend

[C]- Siderail x 2pcs



[D]- Across Bar x 1pc



[E]- Wooden Slat x 12pcs



[F]- Side Plastic Holder x 24pcs



FITTINGS

[1] - M6x20 mm bolts x 8pcs



[2] - M6x50 mm bolts x 2pcs



[3] - M6 Hex Nuts x 2 pcs



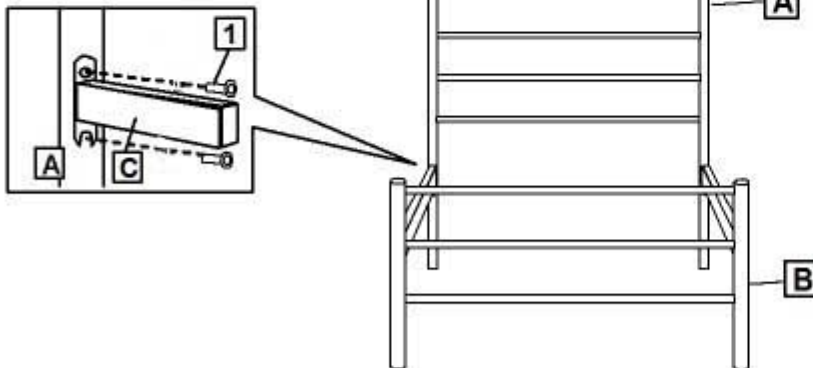
[4] - M6 Allen Key x 1pc



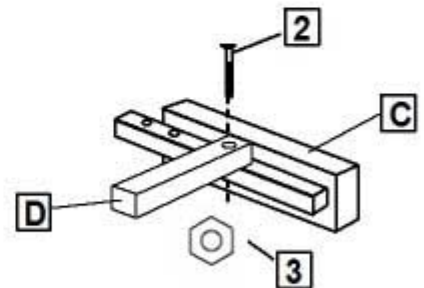
[5] - Spanner x 1pc



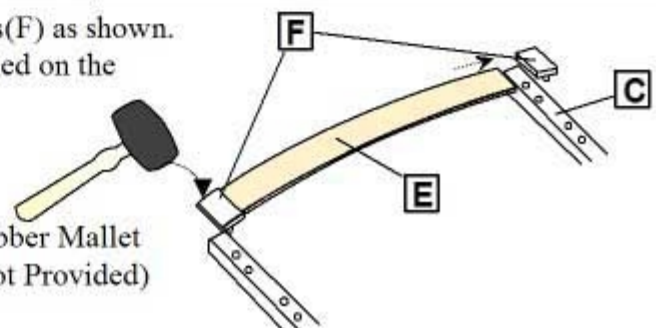
STEP 1: Attach the Siderails(C) to the Headend(A) and Footend(B).



STEP 2 : Attach the Across Bar(D) to the Siderails(C).



STEP 3 : Insert the Sprung Slat(E) into the Plastic Holders(F) as shown. Gently tap the Plastic Holders into the holes drilled on the Siderails.



CARE INSTRUCTIONS

- Wipe clean using a soft damp cloth followed by a dry cloth.
- Do not use abrasives or cleaning products which may contain ammonia or solvents.
- Take care when handling or moving the furniture. Careless handling can damage furniture, try to lift rather than drag.

Rubber Mallet
(Not Provided)