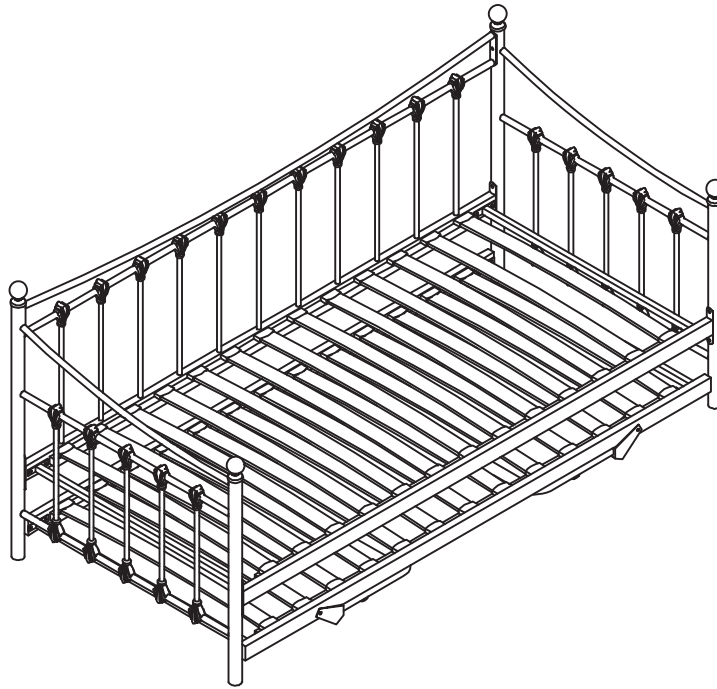


MEMPHIS DAY BED c/w TRUNDLE ASSEMBLY INSTRUCTIONS

Thank you for purchasing the Memphis Day Bed c/w Trundle. Please read the instructions carefully to ensure safe operation of this product.



DAY BED Size: 201 x 96.5 x 99.5 cm (LDH)

TRUNDLE BED Size : 190 x 95 x 35 - 8 cm (LDH)

Colours: Ivory / Black

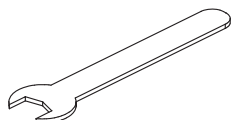
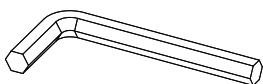
Finish: Painted steel

PLEASE READ this sheet prior to assembly to familiarise yourself with the various stages of construction.

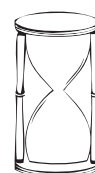
Carefully open the pack supplied and check the contents against the parts and fittings check list. Do not destroy any of the packaging until you are certain that you have all the necessary parts for the assembly.

CAUTION: There are small components used in the construction of this unit. These loose items should be kept away from young children whilst assembling your unit to avoid the danger of choking.

Tools Required



Number of people



1 Hour
Set Up

Batch No. 221602

Page 1 of 8

MEMPHIS DAY BED c/w TRUNDLE ASSEMBLY INSTRUCTIONS

IMPORTANT - READ CAREFULLY - RETAIN THESE INSTRUCTIONS FOR FUTURE REFERENCE.

INFORMATION

- This product is designed to support a maximum load of 100Kg spread evenly over the length of the bed. Do not exceed this weight.
- We recommend that this unit is assembled in the room intended for use.
- When you are ready to start, make sure that you have the right tools, plenty of space and a clean, dry area for assembly.
- Unwrap all packaging materials and place each component on top of the carton box or on a clean floor to prevent it from scratching.
- Check the pack and make sure you have all the parts listed.
- Ensure that this product is fully assembled as illustrated before use.
- When finished, check all screws or bolts are tightened and inspect regularly.
- Tools are not included unless specified in the parts list.

WARNINGS

- This product should only be used on a firm and level floor.
- Keep small parts out of reach of children.
- Make sure the legs/base remain in contact with the floor.
- DO NOT use power tools to construct this product.
- DO NOT tighten screws until parts are assembled or as advised in this guide..
- DO NOT over tighten screws or bolts.
- DO NOT use this product if parts are missing, damaged or worn.
- DO NOT climb or stand on the product.
- DO NOT sit on the product unless a mattress is in place.

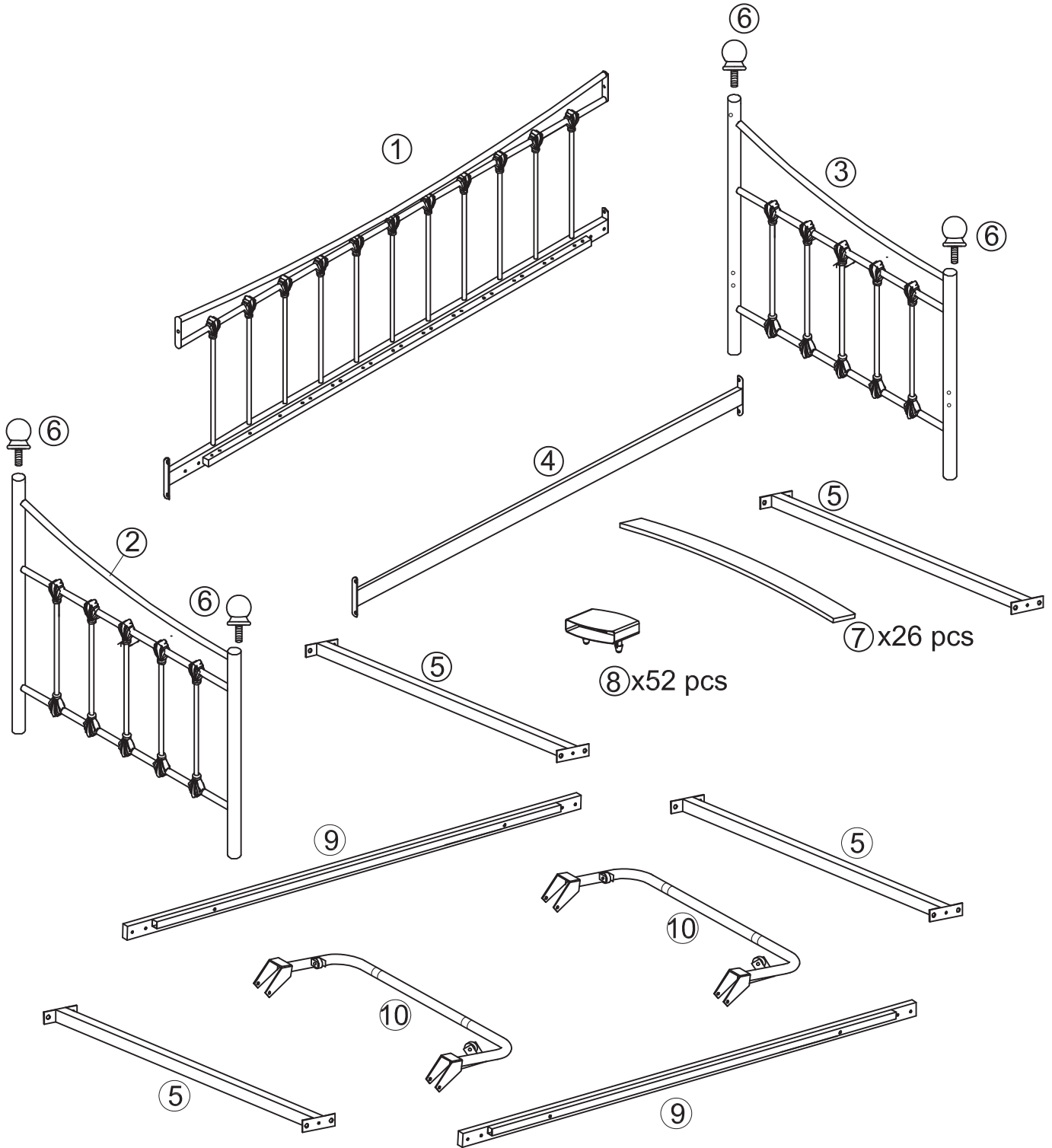
CARE INFORMATION

- Never use scourers, abrasives or chemical cleaners.
- To clean, wipe with a damp sponge and warm soapy water. Do not use solvent based cleaners or detergents as they can bleach or damage the product.

MEMPHIS DAY BED c/w TRUNDLE ASSEMBLY INSTRUCTIONS

Parts and Fittings Checklist

Please check the pack contents before assembling the product. If any components are missing, please contact your retailer. The fittings pack contains small items that should be kept away from small children.



MEMPHIS DAY BED c/w TRUNDLE ASSEMBLY INSTRUCTIONS

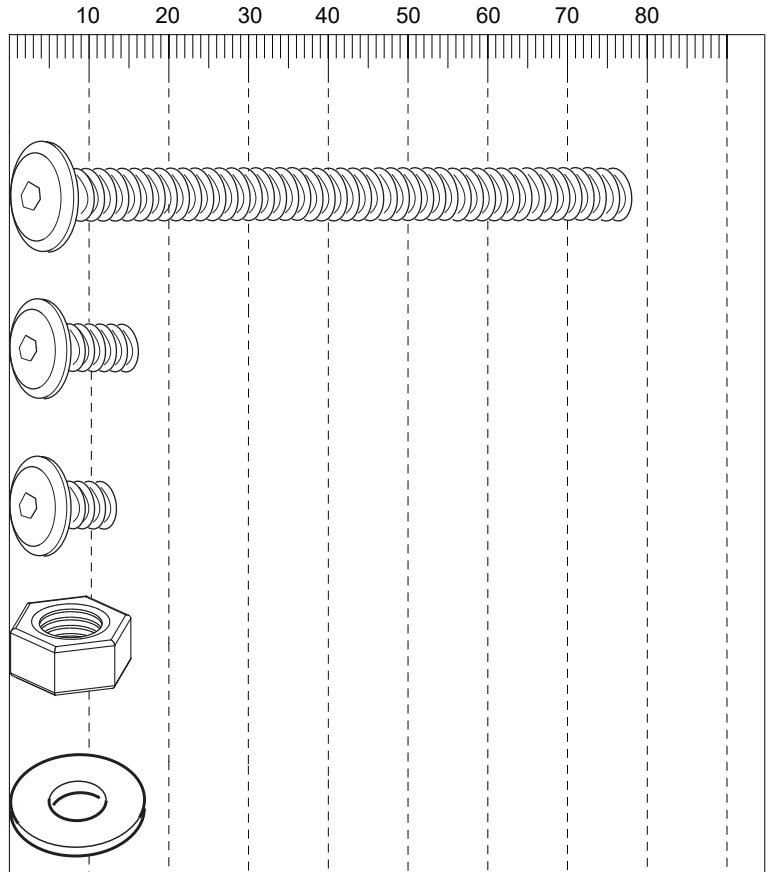
Parts are packed in three cartons

1	2	3
Description: Back Panel Qty: 1 Carton No: 1/3	Description: LH Side Panel Qty: 1 Carton No: 3/3	Description: RH Side Panel Qty: 1 Carton No: 3/3
4	5	6
Description: Cross Rail Qty: 1 Carton No: 1/3	Description: End Rail Qty: 4 Carton No: 1/3	Description: Ornament Qty: 4 Carton No: 1/3
7	8	9
Description: Wooden Slat Qty: 26 Carton No: 2/3	Description: Single Plastic Cap Qty: 52 Carton No: 1/3	Description: Side Rail on Trundle Qty: 2 Carton No: 1/3
10		
Description: Leg Qty: 2 Carton No: 3/3		

MEMPHIS DAY BED c/w TRUNDLE ASSEMBLY INSTRUCTIONS

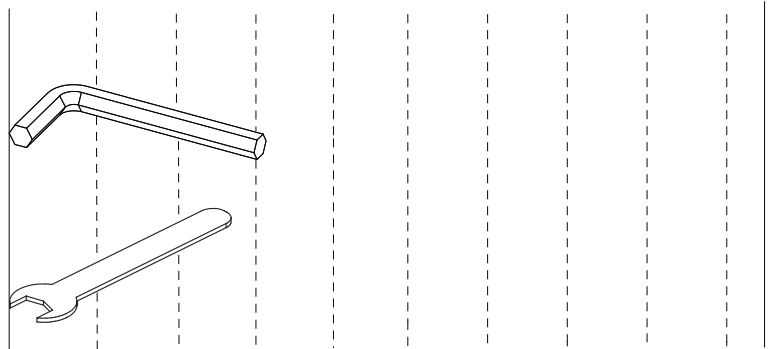
Fittings (to scale)

Code	Item	Quantity
A	Bolt M8x75 mm	4
B	Bolt M6x15 mm	10
C	Bolt M6x12 mm	16
D	Nut for Bolt M8	4
E	Flat Washer (For Bolt M8 & Nut)	8



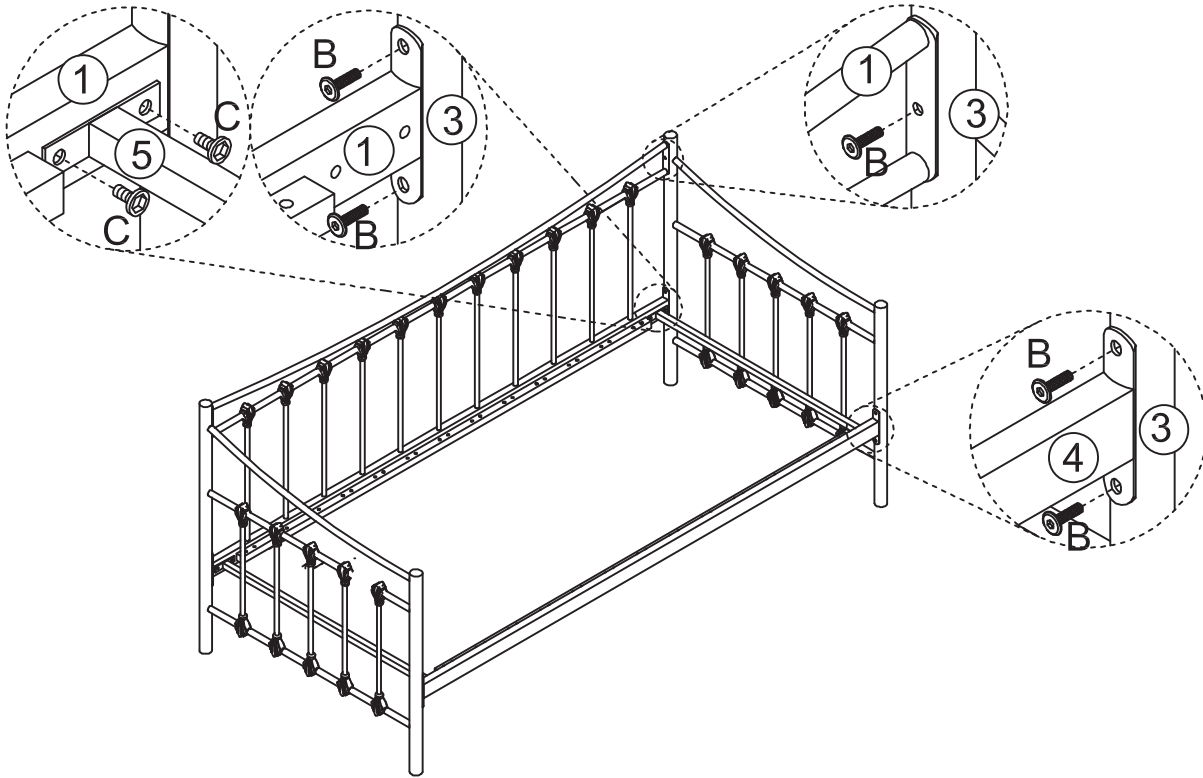
Fittings (not to scale)

Code	Item	Quantity
F	Allen Key	1
G	Spanner	1



MEMPHIS DAY BED c/w TRUNDLE ASSEMBLY INSTRUCTIONS

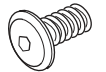
STEP 1



For this step:
Tools required



Fittings required

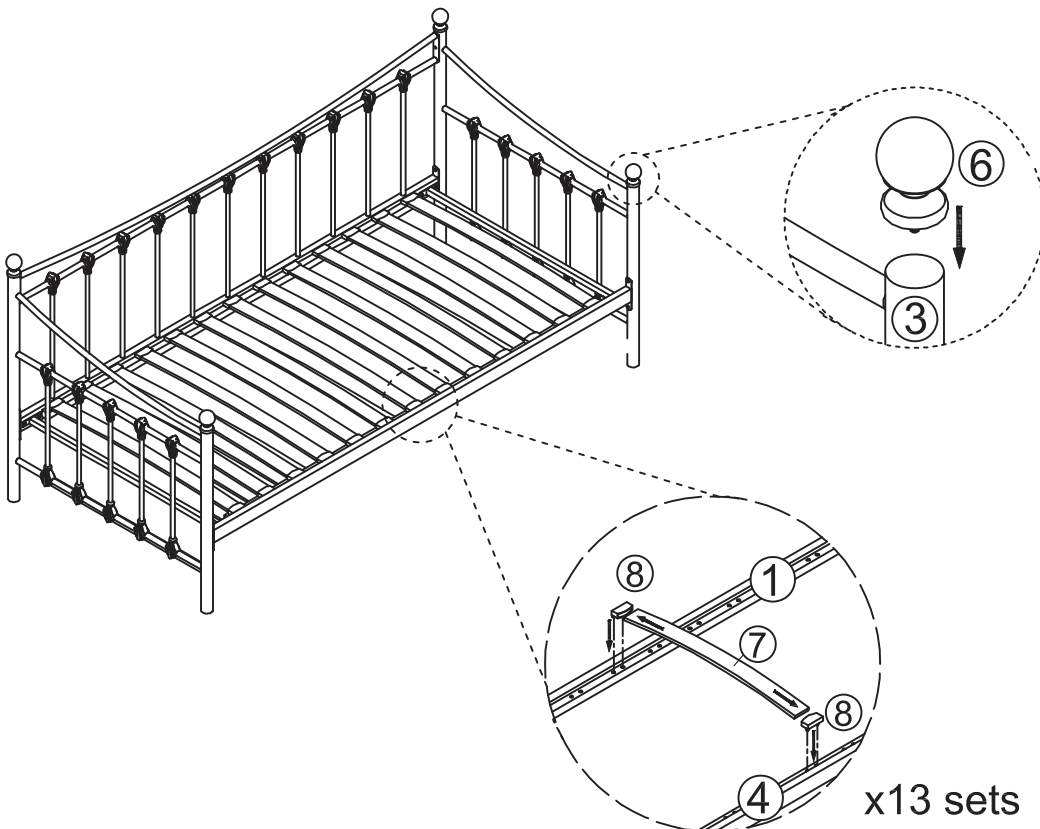


B x10



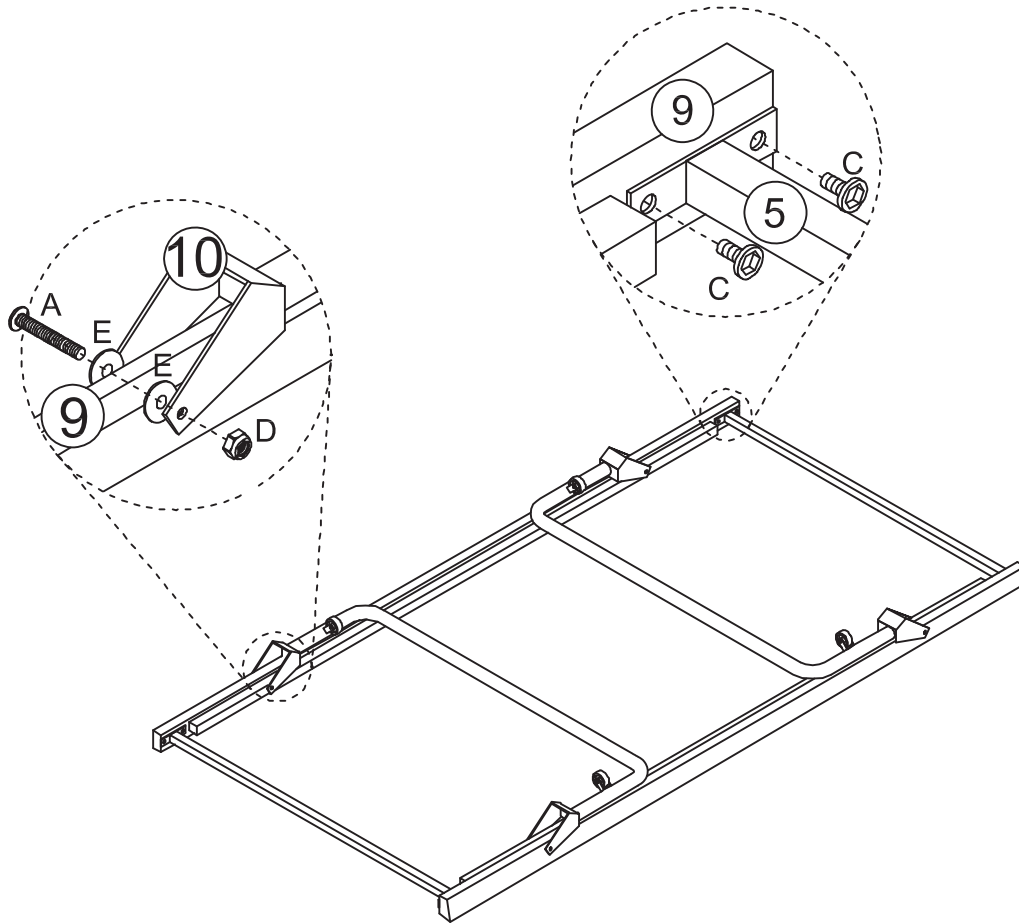
C x8

STEP 2



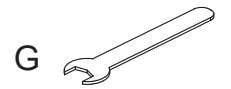
MEMPHIS DAY BED c/w TRUNDLE ASSEMBLY INSTRUCTIONS

STEP 3



For this step:

Tools required



Fittings required



A x4



C x8

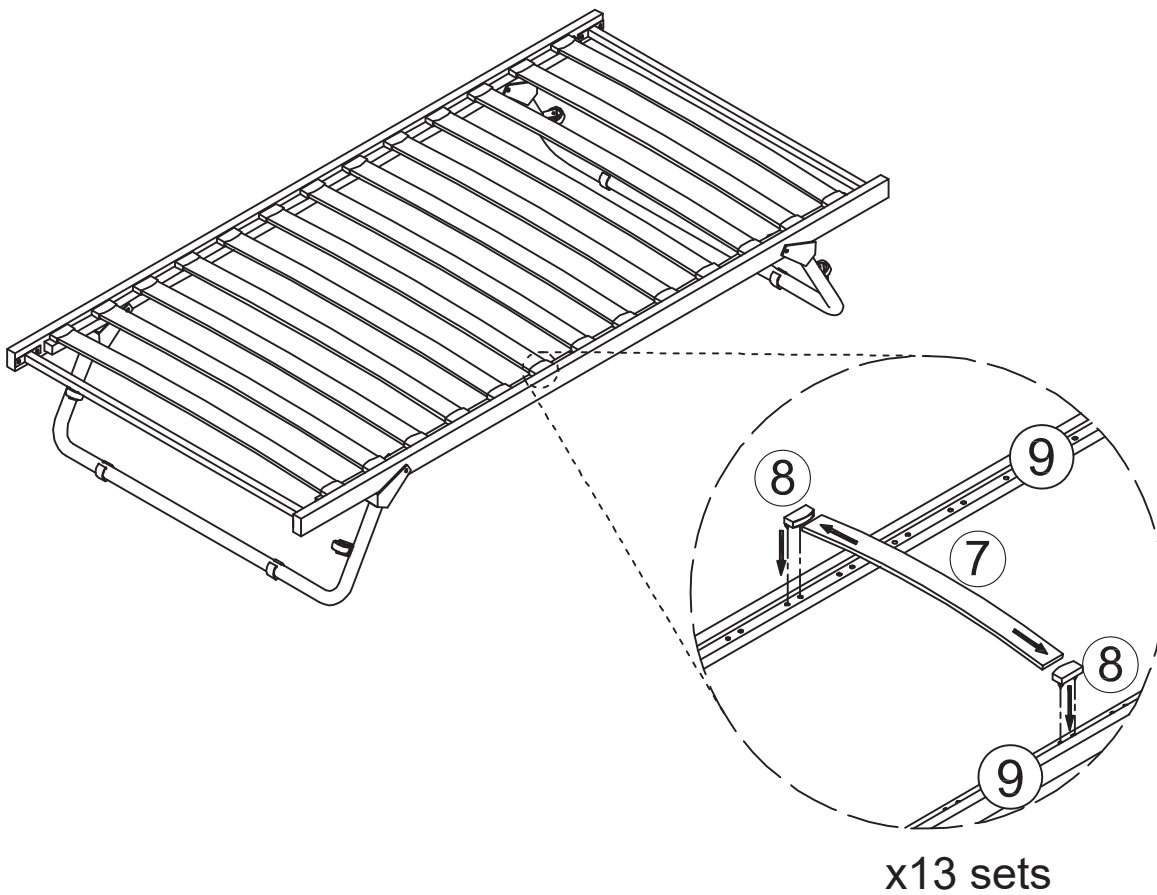


D x4



E x8

STEP 4

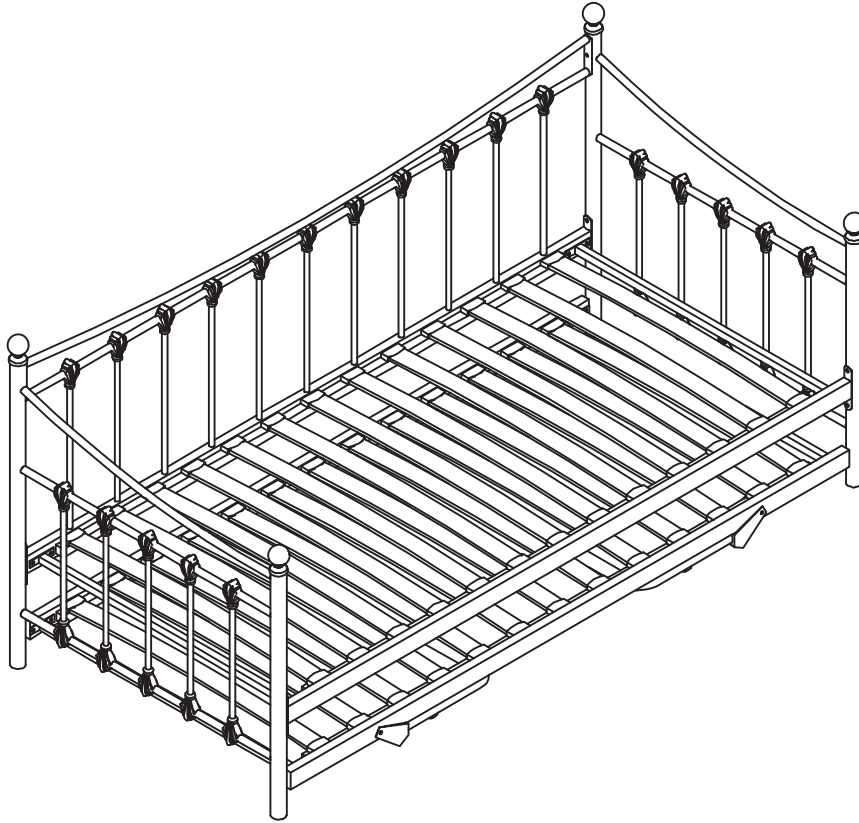


Assembly Completed

Your Memphis day bed c/w trundle is now completely assembled.

Periodically check to ensure that the components are in their proper position, free from damage.

Also, make sure the connectors are tight and secure.



Keep instructions for future reference

