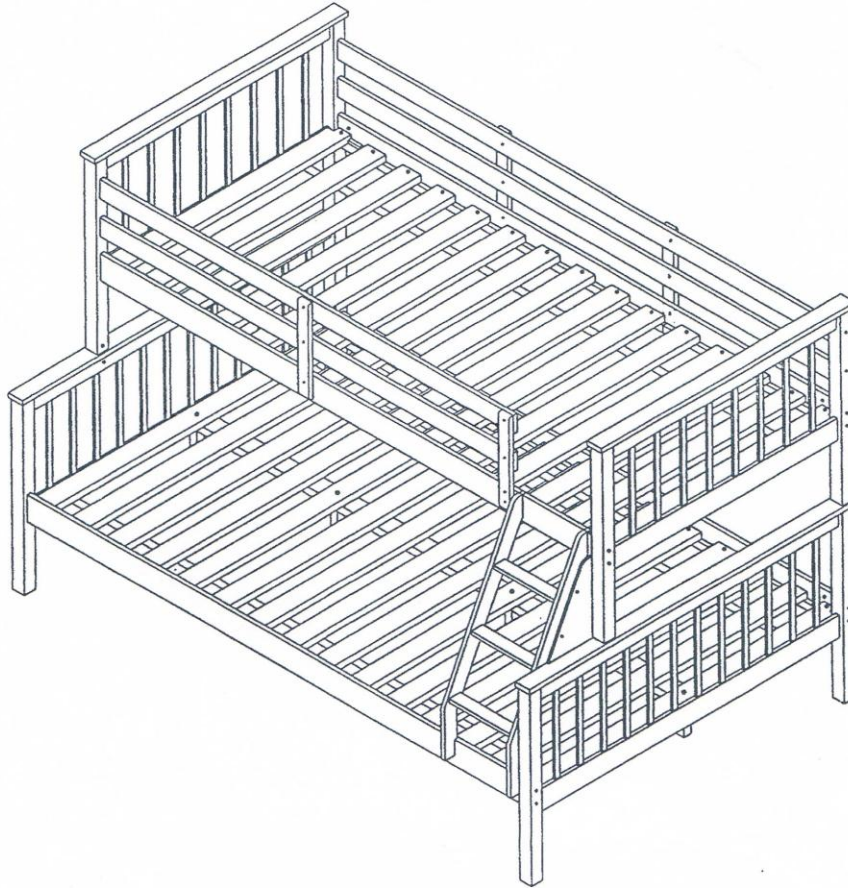


M1173 13.3.13,

**ASSEMBLY INSTRUCTIONS
PAVO HIGH SLEEPER (LYON HIGH SLEEPER)**



ASSEMBLY TIPS :













1. Remove hardware from box and sort by size.
2. Please check to see that all hardware and part are present prior start of assembly .
3. Please follow attached instruction in the same sequence as numbered to assure fast and easy assembly

WARNING !

1. Don't attempt to repair or modify parts that are broken or defective. Please contact the store immediately.
2. This product is for home use only and not intended for commercial establishments.
3. Two persons are required for assembly.
4. Approximate assembly time : 1.5 hours

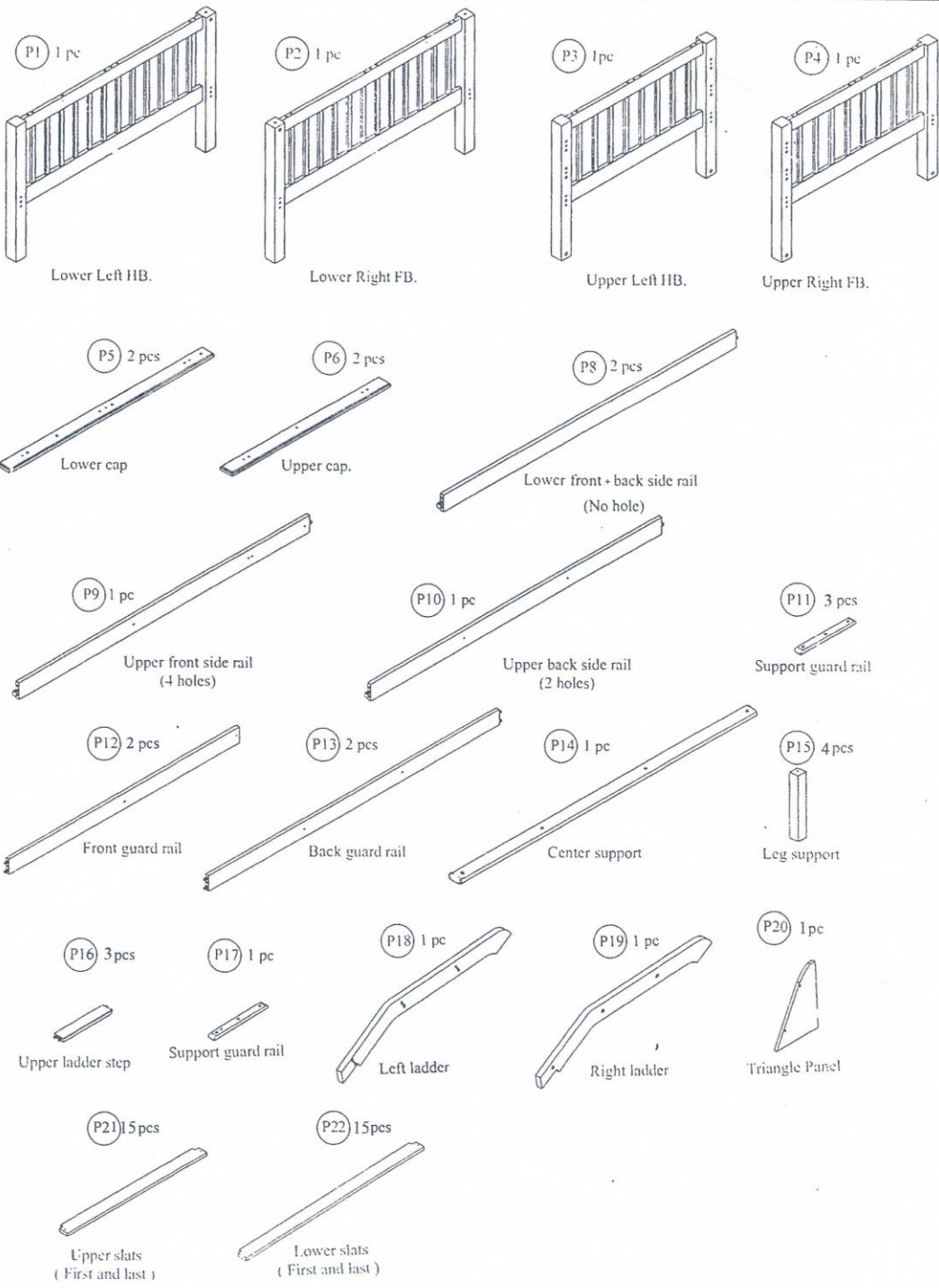
HARDWARE LIST

Component parts and fittings contained in the box
Please sort out all parts before you begin to assemble the item. This is to make sure
you always use the correct part .

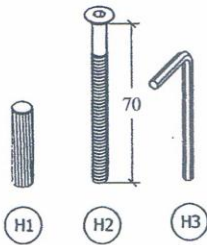
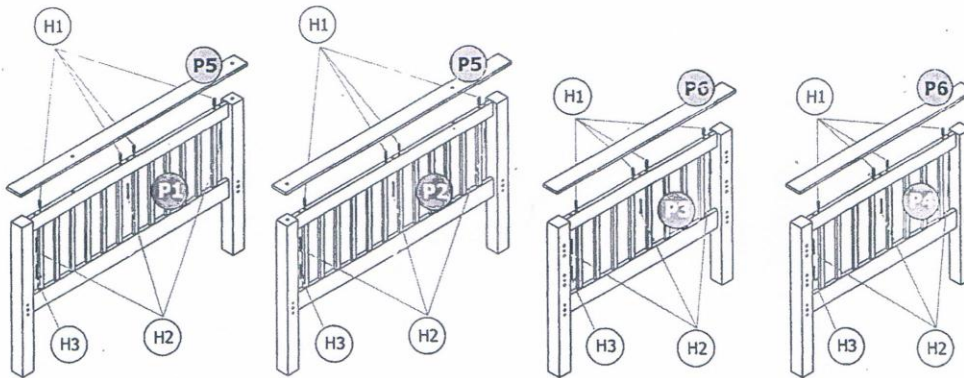
<p>(H1) 48 pcs</p>  <p style="text-align: center;">Wooden dowel Ø 10 x 40(mm)</p>	<p>(H2) 12 pcs</p>  <p style="text-align: center;">Hexagon screw: $\frac{1}{4}$ x 70(mm)</p>	<p>(H3) 1 pc</p>  <p style="text-align: center;">Allen key 4 mm</p>
<p>(H4) 22 pcs</p>  <p style="text-align: center;">Hexagon screw: $\frac{1}{4}$ x 125(mm)</p>	<p>(H5) 22 pcs</p>  <p style="text-align: center;">Helix : $\frac{1}{4}$ x 13(mm)</p>	<p>(H6) 4pcs</p>  <p style="text-align: center;">Wooden Cap Ø12 /30 x 28 (mm)</p>
<p>(H7) 17 pcs</p>  <p style="text-align: center;">Hexagon screw : $\frac{1}{4}$ x 30(mm)</p>	<p>(H8) 4 pcs</p>  <p style="text-align: center;">Wooden dowel : Ø12x 90 (mm)</p>	<p>(H9) 6 pcs</p>  <p style="text-align: center;">Screw : 6.3x 50(mm)</p>
<p>(H10) 6 pcs</p>  <p style="text-align: center;">Screw : Ø4 x 35(mm)</p>	<p>(H11) 62 pcs</p>  <p style="text-align: center;">Screw : Ø4 x 30(mm)</p>	<p>(H12) 2 pcs</p>  <p style="text-align: center;">Screw : Ø4 x 15(mm)</p>

DETAILS OF BED

CAUTION : Keep small components out of the reach of children !

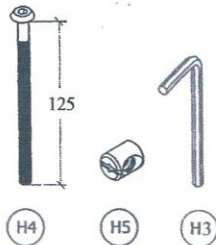
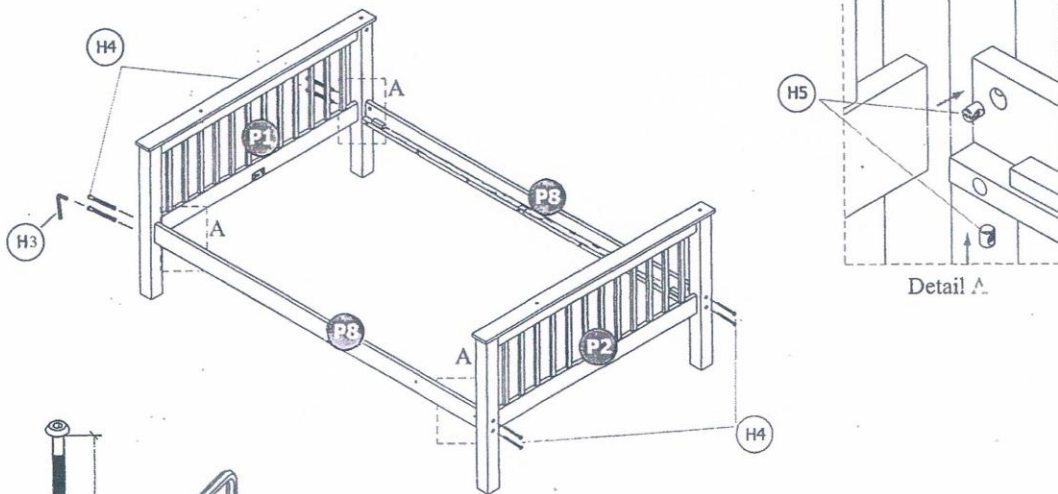


STEP 1



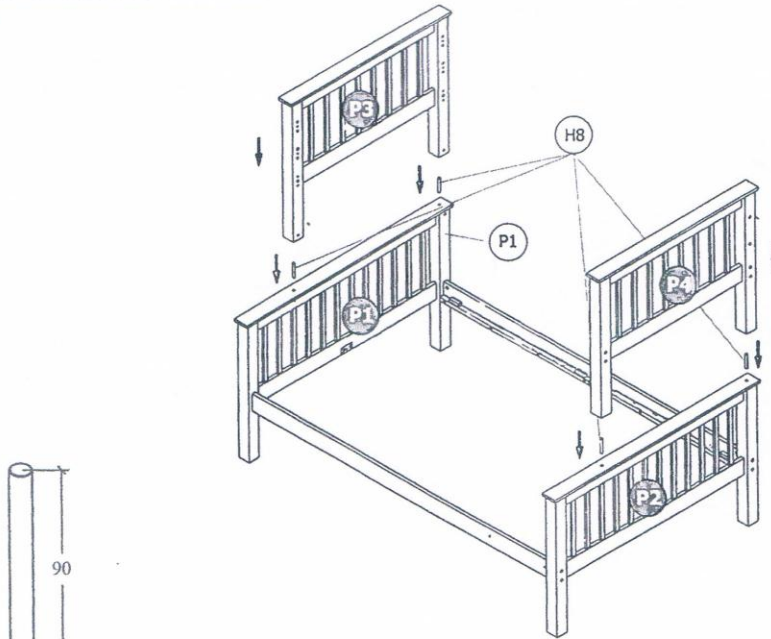
- Press the 4 pcs wooden dowel (H1) into holes of (P1), (P2), (P3), (P4).
- Press the lower cap (P5) onto (P1), (P2) and upper cap (P6) onto (P3), (P4).
- Tighten screws (H2) by allen key (H3). As per picture .

STEP 2



- Attach the lower left HB (P1) and lower right FB (P2) into lower front and back side rail (P7), (P8).
- Put the helix (H5) into holes of lower front and lower back side rail (P7), (P8), (detail A).
- Tighten the 8 pcs hexagon screws (H4) by allen key (H6).

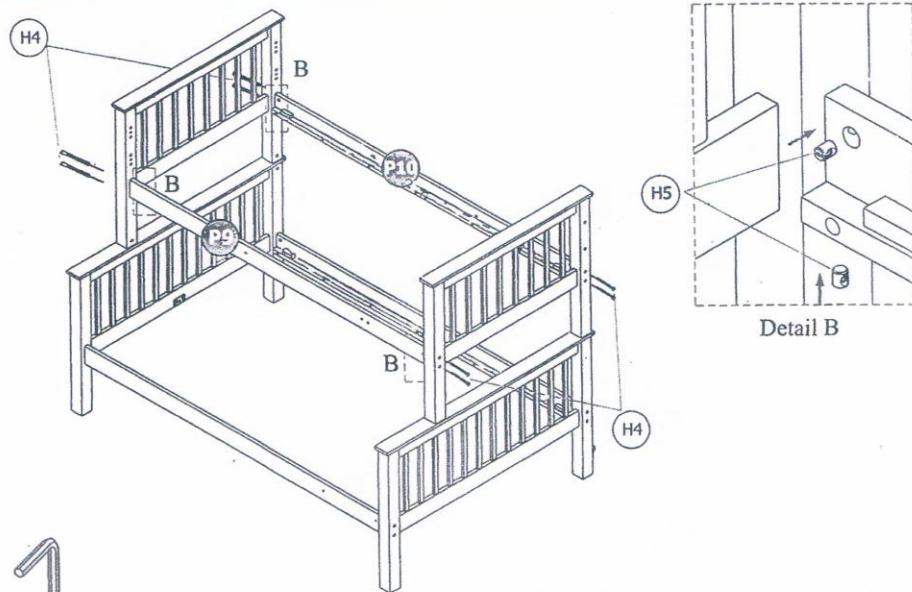
STEP 3



(H8)

- Put the 4 pcs wooden dowel (H8) into holes , as per picture.
- Link upper left HB(P3) onto lower left HB (P1)
- Link upper right FB (P4) onto lower right FB (P2).

STEP 4



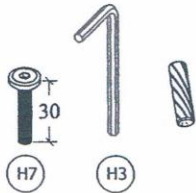
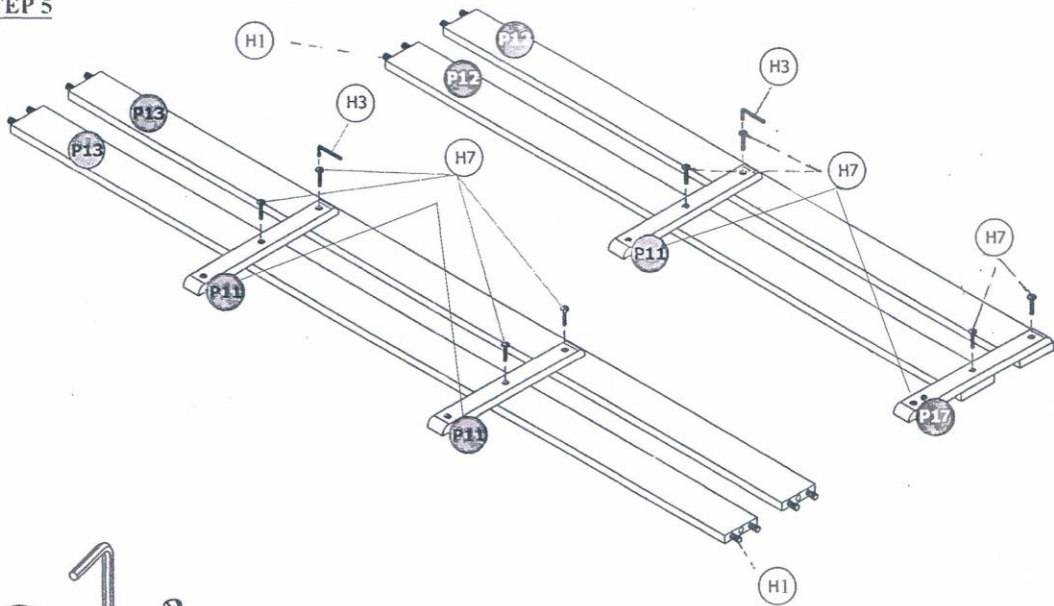
(H4)

(H5)

(H3)

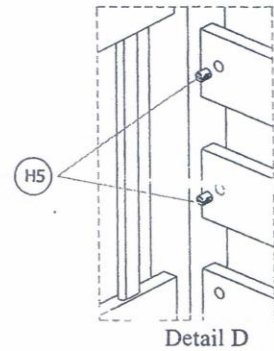
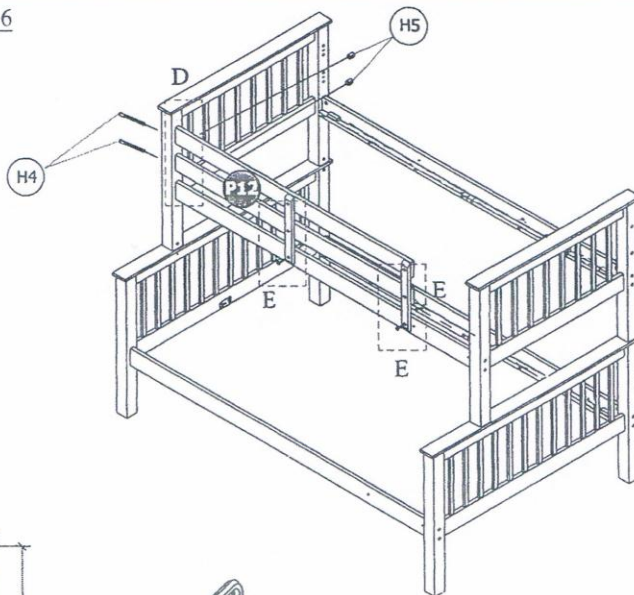
- Attach the upper front and upper back side rail (P9), (P10) into upper left and right (P3), (P4).
- Put the helix (H5) into holes of front and back side rail (P9), (P10). (Detail B)
- **Remark :** Temporary fixed (Do not tighten) the hexagon screws (H4) before assembled other parts .

STEP 5

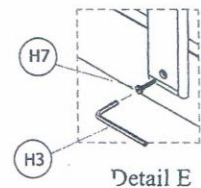


- Attach 2 pcs support guard rails (P11) onto 2 pcs front guard rails (P12) .
- Tighten 4 pcs hexagon screws (H7) by allen key (H3).
- Attach 2 pcs support guard rails (P11) onto 2 pcs front guard rails (P13) .
- Tighten 4 pcs hexagon screws (H7) by allen key (H3) .

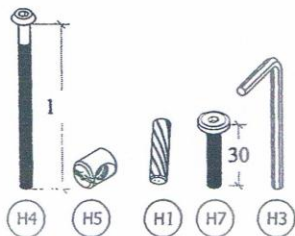
STEP 6



Detail D

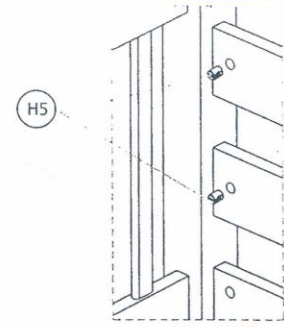
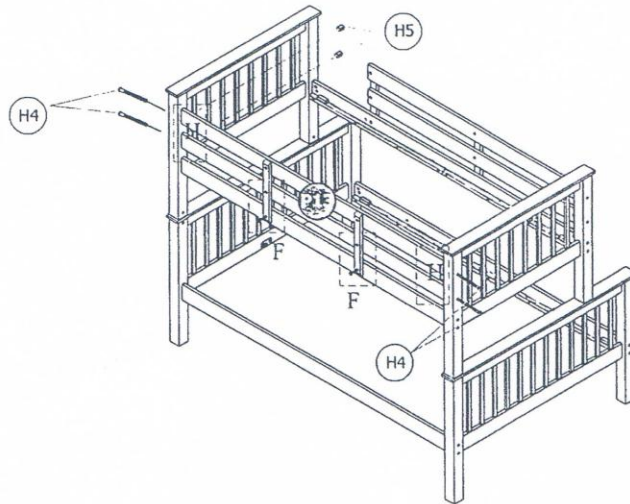


Detail E

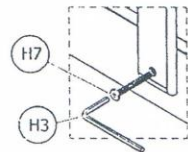


- Attach the 2 pcs front guard rails (P12) has assembled into upper left HB (P3).
- Tighten 2 pcs hexagon screws (H7) by allen key (H3).
- Put the 2 pcs hex (H5) into holes of front guard rails (P12), (Detail E) .
- Tighten hexagon screw (H4) by allen key (H6).

STEP 7



Detail H

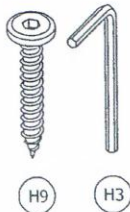
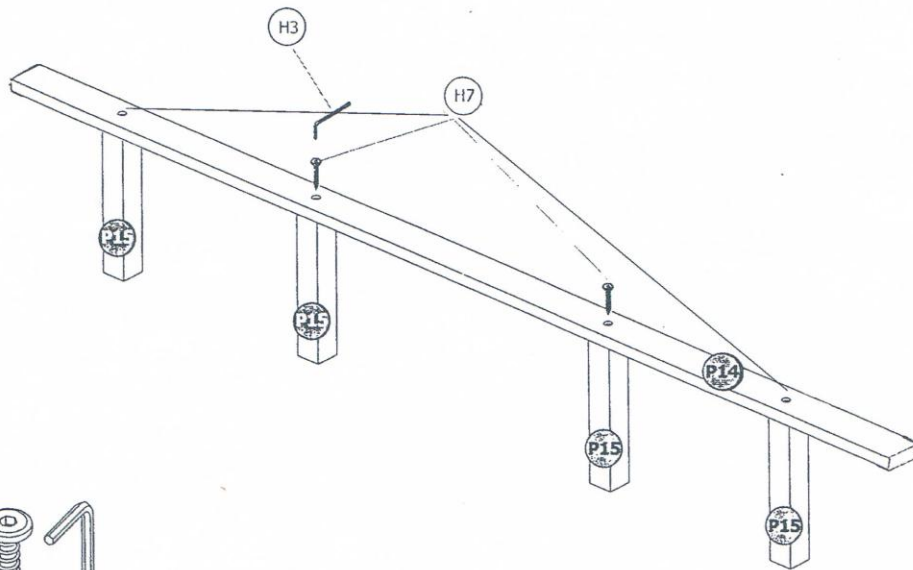


Detail F



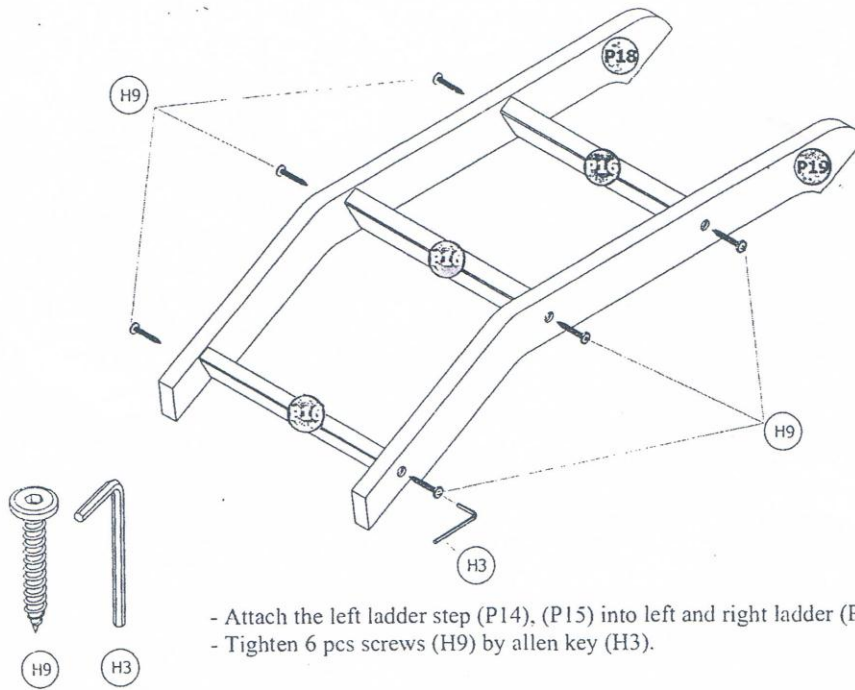
- Attach the 2 pcs back guard rails (P11) has assembled into upper left and right (P3), (P4).
- Tighten 2 pcs hexagon screws (H7) by allen key (H3), (Detail F).
- Put the 4 pcs helix (H5) into holes of front guard rails (P13), (Detail H)
- Tighten hexagon screw (H4) by allen key (H6).
- **Remark** : Before assemble other part tighten all hexagon screws (H4) has temporary fixed

STEP 8



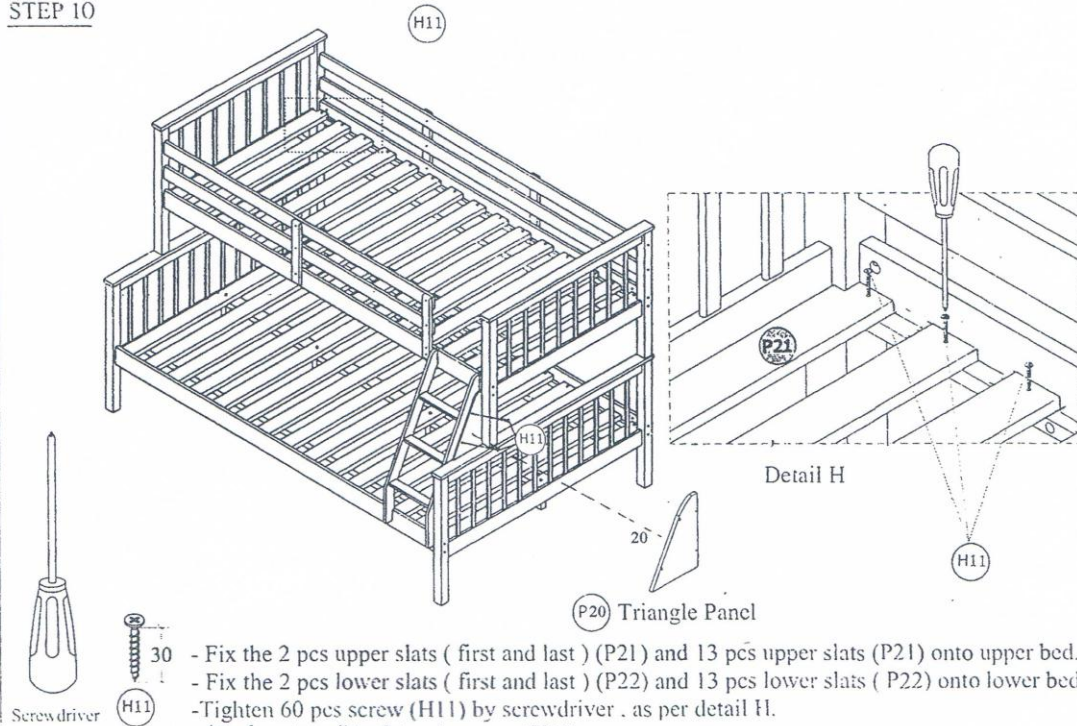
- Fix the center support (P14) onto the 4 pcs legs support (P15).
- Tighten the 4 pcs hexagon screws (H7) by allen key (H3).

STEP 9



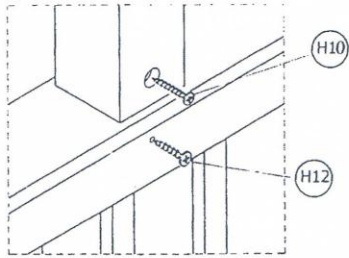
- Attach the left ladder step (P14), (P15) into left and right ladder (P16), (P17).
- Tighten 6 pcs screws (H9) by allen key (H3).

STEP 10

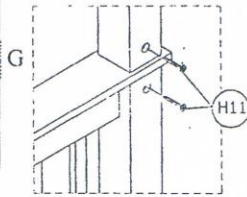
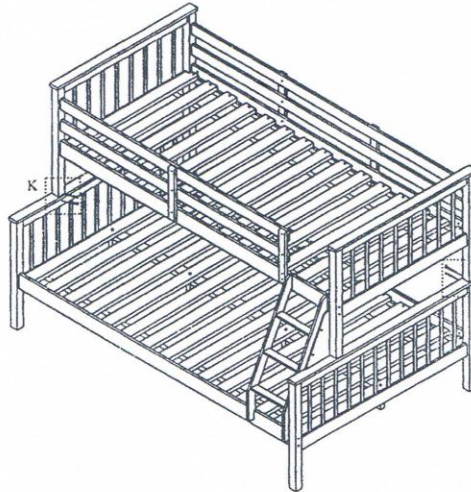


- Fix the 2 pcs upper slats (first and last) (P21) and 13 pcs upper slats (P21) onto upper bed.
- Fix the 2 pcs lower slats (first and last) (P22) and 13 pcs lower slats (P22) onto lower bed.
- Tighten 60 pcs screw (H11) by screwdriver , as per detail H.
- Attach centre rail to slats using screw (H11)
- Put the triangle panel (P20) between leg ladder and leg bed (As per picture).

STEP11



Detail K



Detail G



Screwdriver



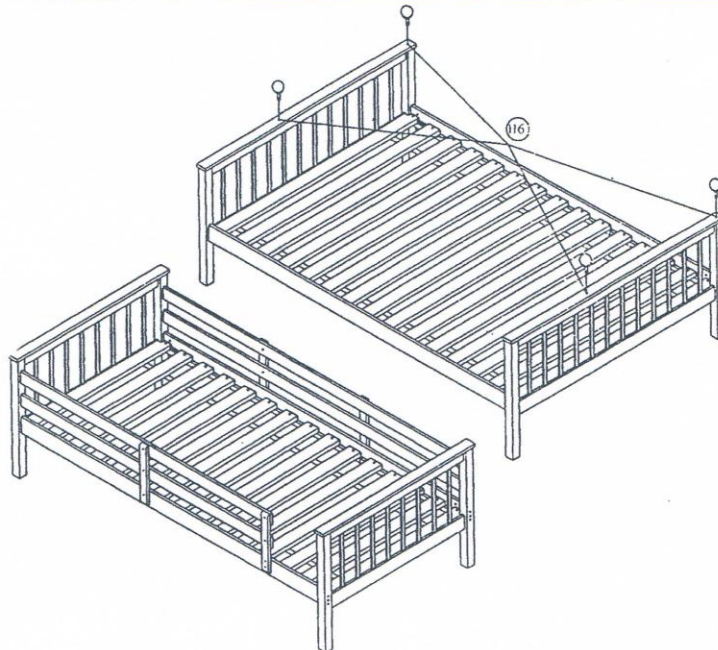
H11



H12

- Fixed the upper and lower bed by screw (H11) and (H12), (Detail K, G).

STEP12



H6

- Press the 4 pcs wooden button (H6) into holess (As per picture).