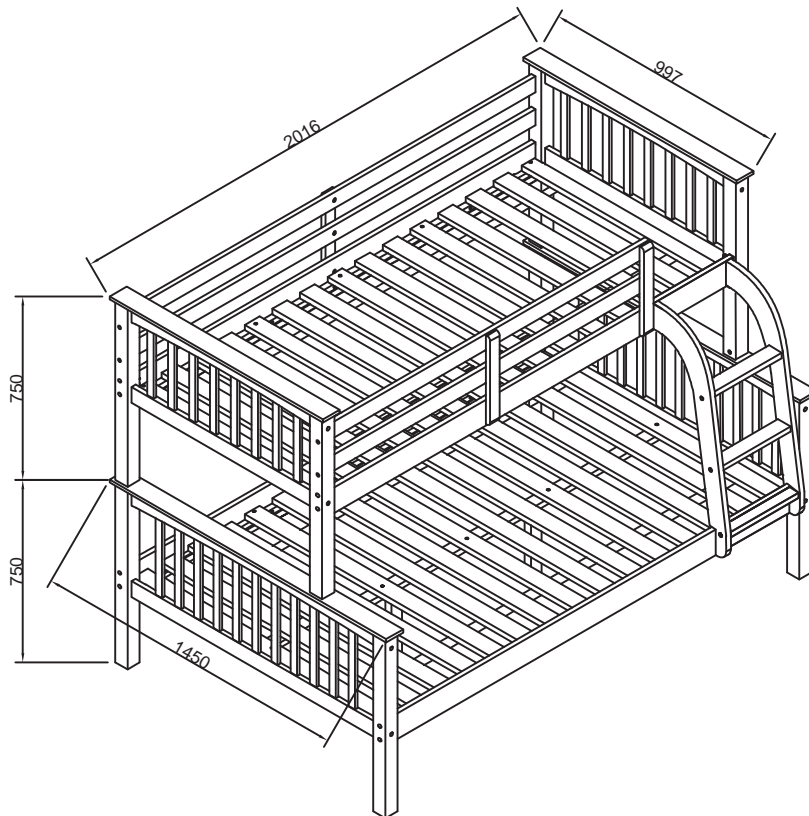


NOVARO TRIO BUNK BED ASSEMBLY INSTRUCTIONS

Thank you for purchasing the NOVARO TRIO BUNK BED. Please read the instructions carefully to ensure safe operation of the product.



Colour: WHITE / PINE
Age Range: 4+ years old

PLEASE READ this sheet prior to assembly to familiarise yourself with the various stages of construction.

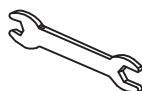
Carefully open the pack supplied and check the contents against the parts and fittings check list. Do not destroy any of the packaging until you are certain that you have all the necessary parts for the assembly.



CAUTION:

- Beware children can be strangled from items such as ropes, strings, cords, harnesses and belts attached to or hung from the bunk / high bed.
- Children can become trapped between the bed and the wall. To avoid risk of serious injury the distance between the top safety barrier and the wall should not exceed 75mm or shall be more than 230mm.
- There are small components used in the construction of this unit. These loose items should be kept away from young children whilst assembling your unit to avoid the danger of choking hazards.

Tools Required



1.5 Hour
Set Up

NOVARO TRIO BUNK BED ASSEMBLY INSTRUCTIONS

IMPORTANT - READ CAREFULLY - RETAIN THESE INSTRUCTIONS FOR FUTURE REFERENCE.

INFORMATION

- Not suitable for children under 4 years old.
- The upper bunk bed is not suitable for children under the age of 6 years old due to risk of injury from falling.
- Lower sleepers are not suitable for children under 3 years old.
- Periodically check and ensure that the guardrails, ladder and other components are in their proper position, free from damage, and that all connectors are tight.
- This product is intended for a maximum person's weight of 80kg. Do not exceed this weight.
- This item meets the test standard BS EN 747 parts 1 and 2.
- Maximum thickness of mattress 16cm. Please refer to marking on side rail.
- Recommended size of mattress: Upper Bed 190(L) X 90(W) cm and Lower Bed 190(L) X 135(W)cm.
- Due to the size of this product we recommend that it is assembled in the room intended for use.
- When you are ready to start, make sure that you have the right tools, plenty of space and a clean, dry area for assembly.
- Unwrap all packaging materials and place the components on top of the carton box or on a clean floor to prevent it from scratching.
- Check the pack and make sure you have all the parts listed.
- Ensure that this product is fully assembled and secured as illustrated before use.
- Check all screws or bolts are tightened and inspect regularly.
- Please dismantle for transportation.
- Tools are not included.

WARNINGS

- DO keep plastic bags away from children whilst assembling of this product to avoid suffocation.
- DO make sure the legs remain in contact with the ground.
- DO keep small parts out of reach of children.
- DO always use the ladder for entering and leaving the upper bunk
- DO NOT allow more than one person on the upper bunk
- DO NOT use power tools to construct this product.
- DO NOT tighten screws until fully assembled.
- DO NOT over tighten screws or bolts.
- DO NOT use this product if parts are missing, damaged or worn.
- DO NOT stand or jump on the product.

CARE INFORMATION

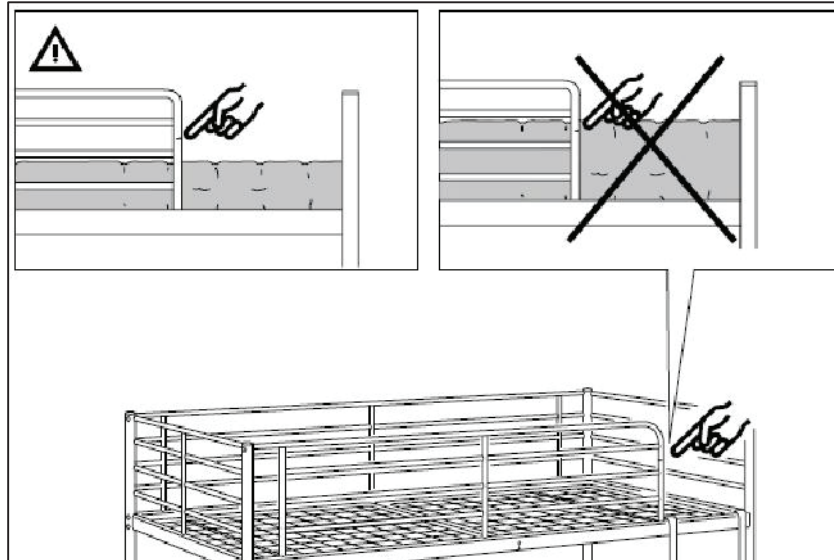
- Never use scourers, abrasives or chemical cleaners
- To clean wipe with a sponge and warm soapy water. Do not use solvent based cleaners or detergents as they can bleach or damage the product
- Do not place bed near heat sources, windows or other furniture. This includes danger of blind cords, curtain pulls, other strings or cords.
- Never drag or pull this product across the floor as this could cause damage to the joints and could result in failure to the product that will invalidate the warranty.

NOVARO TRIO BUNK BED ASSEMBLY INSTRUCTIONS

! SAFETY WARNING !

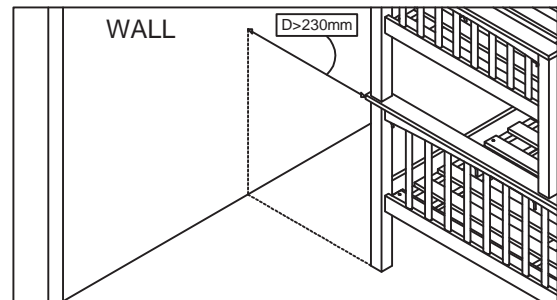
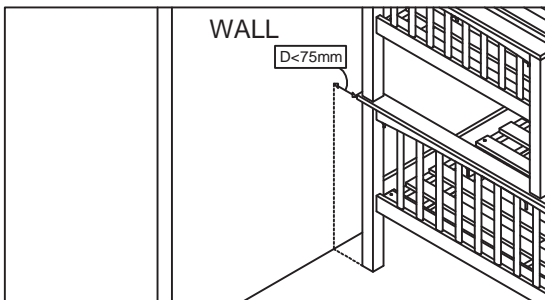
MAXIMUM MATTRESS SIZE WARNING

This is a safety warning, the MAXIMUM thickness of mattress **16cm**. Please refer to marking on side rail indicated here:



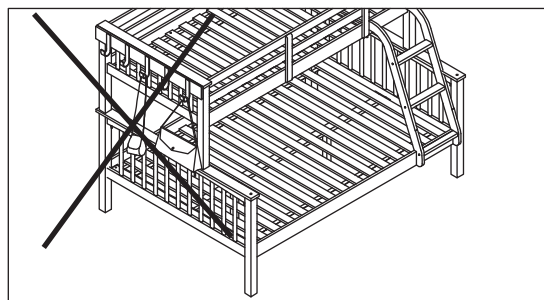
ENTRAPMENT WARNING

Between the top safety barriers (bunk) and the wall should not exceed 75mm or shall be more than 230mm.



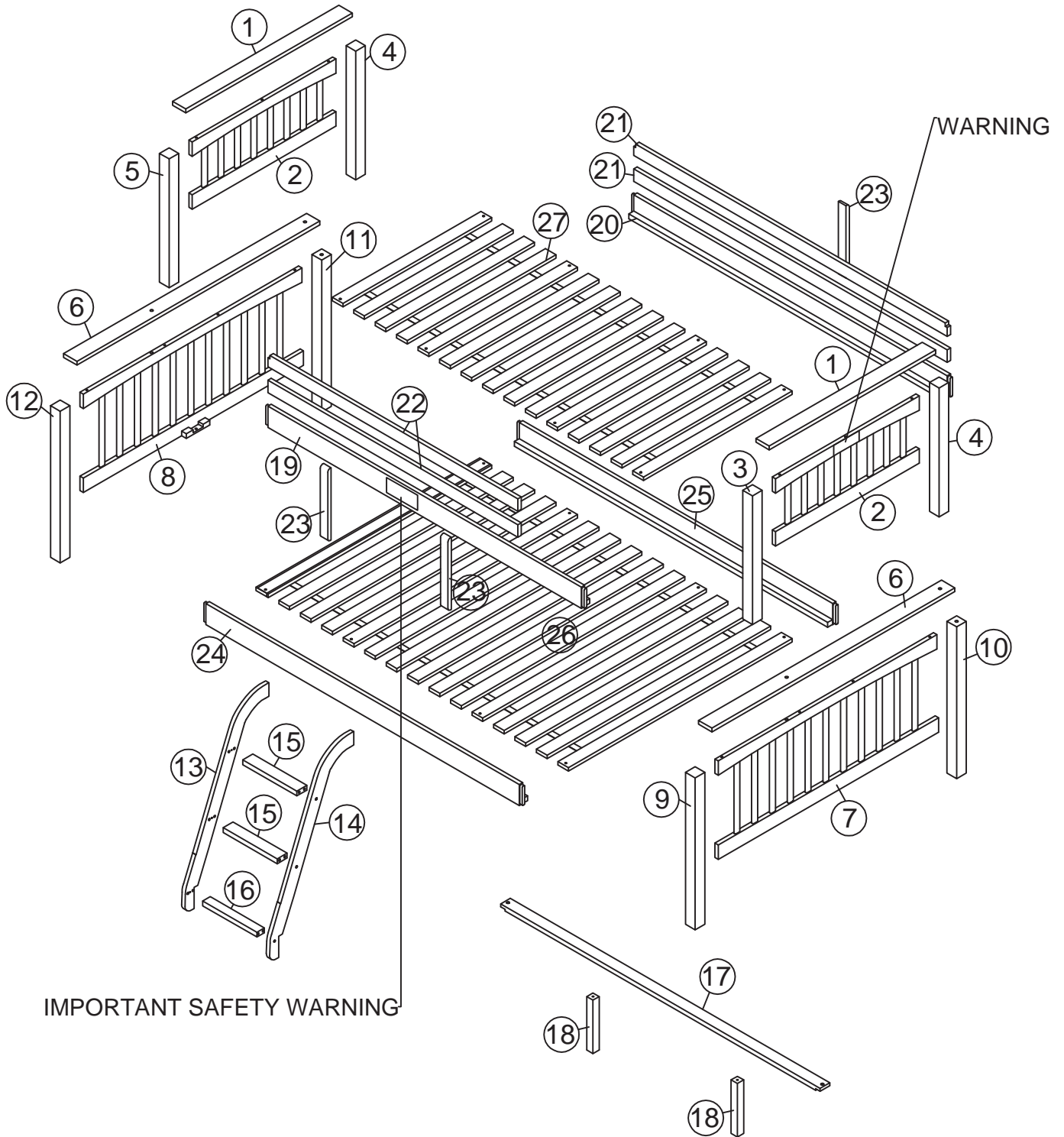
STRANGULATION WARNING

Beware children can be strangled from items such as ropes, strings, cords, harnesses and belts attached to or hung from the bunk bed.




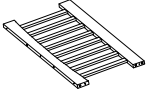

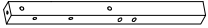
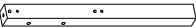
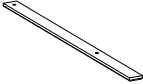
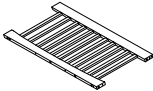
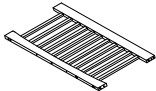

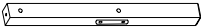

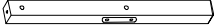
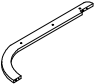
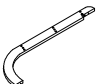
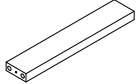
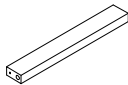


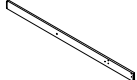
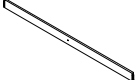
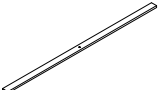
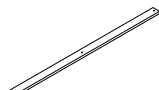

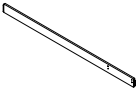
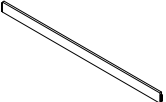
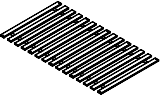

NOVARO TRIO BUNK BED ASSEMBLY INSTRUCTIONS

Please check the pack contents before assembling the product. If any components are missing, please contact your retailer. The fittings pack contains small items that should be kept away from small children.



NOVARO TRIO BUNK BED ASSEMBLY INSTRUCTIONS

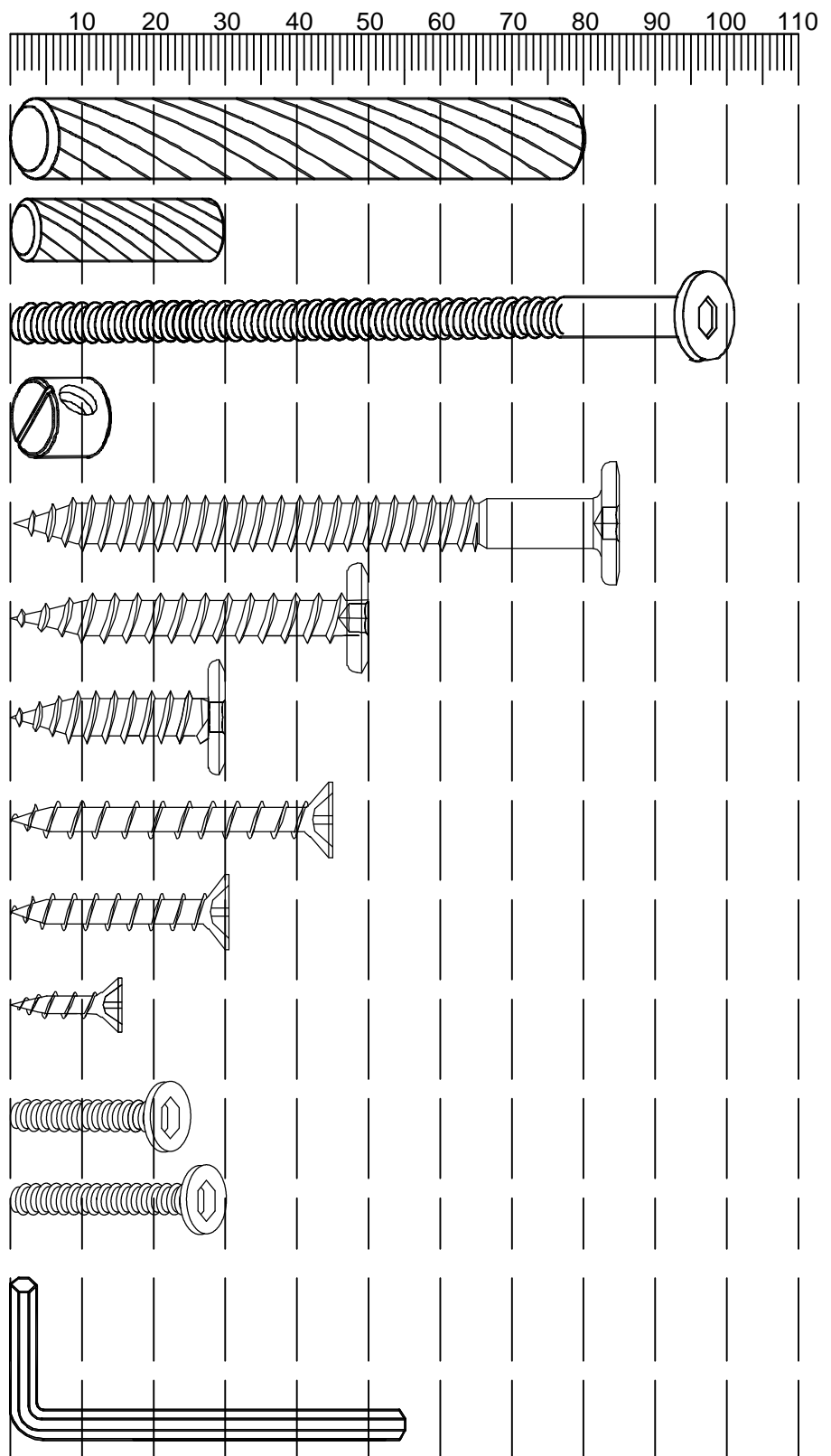
Parts

1. 	2. 	3. 	4. 
Description: Upper Top Rail Qty: 2 pcs Carton No: 1 OF 3	Description: Upper Headboard Qty: 2 pcs Carton No: 1 OF 3	Description: Upper Post Qty: 1 pc Carton No: 1 OF 3	Description: Upper Post Qty: 2 pcs Carton No: 1 OF 3
5. 	6. 	7. 	8. 
Description: Upper Post Qty: 1 pc Carton No: 1 OF 3	Description: Lower Top Rail Qty: 2 pcs Carton No: 1 OF 3	Description: Lower Headboard Right Qty: 1 pc Carton No: 1 OF 3	Description: Lower Headboard Left Qty: 1 pc Carton No: 1 OF 3
9. 	10. 	11. 	12. 
Description: Lower Post Qty: 1 pc Carton No: 1 OF 3	Description: Lower Post Qty: 1 pc Carton No: 1 OF 3	Description: Lower Post Qty: 1 pc Carton No: 1 OF 3	Description: Lower Post Qty: 1 pc Carton No: 1 OF 3
13. 	14. 	15. 	16. 
Description: Left Ladder Rail Qty: 1 pc Carton No: 2 OF 3	Description: Right Ladder Rail Qty: 1 pc Carton No: 2 OF 3	Description: Bigger Rung Qty: 2 pcs Carton No: 2 OF 3	Description: Smaller Rung Qty: 1 pc Carton No: 2 OF 3
17. 	18. 	19. 	20. 
Description: Middle Support Bar Qty: 1 pc Carton No: 2 OF 3	Description: Support Feet Qty: 2 pcs Carton No: 2 OF 3	Description: Upper Side Rail (connect ladder) Qty: 1 pc Carton No: 2 OF 3	Description: Upper Side Rail Qty: 1 pc Carton No: 2 OF 3
21. 	22. 	23. 	24. 
Description: Long Guard Rail Qty: 2 pcs Carton No: 2 OF 3	Description: Short Guard Rail Qty: 2 pcs Carton No: 2 OF 3	Description: Vertical Guard Rail Qty: 3 pcs Carton No: 2 OF 3	Description: Lower Side Rail (connect ladder) Qty: 1 pc Carton No: 2 OF 3
25. 	26. 	27. 	
Description: Lower Side Rail Qty: 1 pc Carton No: 2 OF 3	Description: Lower Slats Qty: 1 pc Carton No: 3 OF 3	Description: Upper Slats Qty: 1 pc Carton No: 3 OF 3	

NOVARO TRIO BUNK BED ASSEMBLY INSTRUCTIONS

Fittings (to scale)

Ref	Dimensions	Qty
A	Wood Dowel M12x80mm	4
B	Wood Dowel M10x30mm	58
C	Bolt M6x100mm	22
D	Barrel Nut M12x13mm	22
E	Screw M6x85mm	16
F	Screw M6x50mm	6
G	Screw M6x30mm	9
H	Screw M4x45mm	14
I	Screw M4x30mm	31
J	Screw M4x15mm	2
K	Bolt M6x25mm	2
L	Bolt M6x30mm	4



(Not to scale)

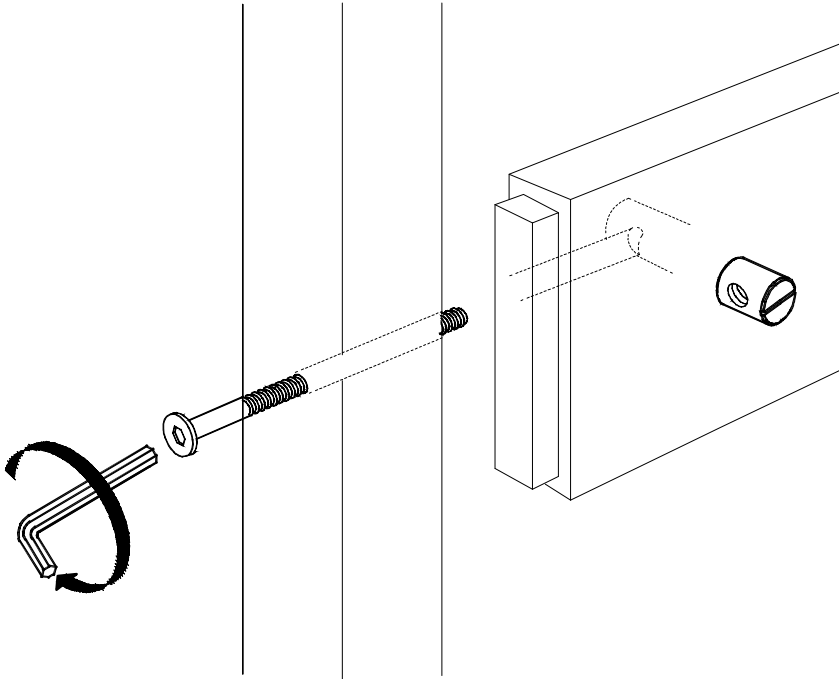
M	4mm Allen Key	1
----------	---------------	---

CAUTION: There are many small components used in the construction of this product. Please keep these components away from young children whilst assembling this product.

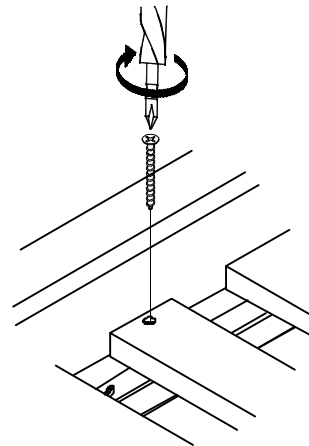
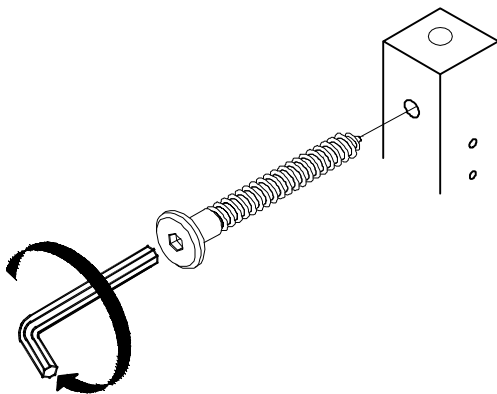
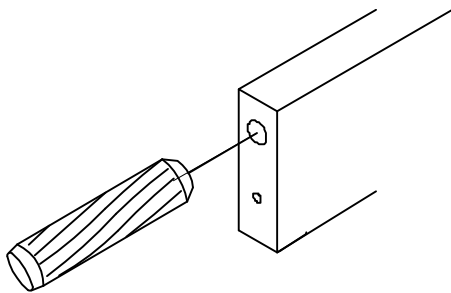
If you keep the fittings in a bowl during assembly you will be less likely to lose them!

NOVARO TRIO BUNK BED ASSEMBLY INSTRUCTIONS

Hints and Tips



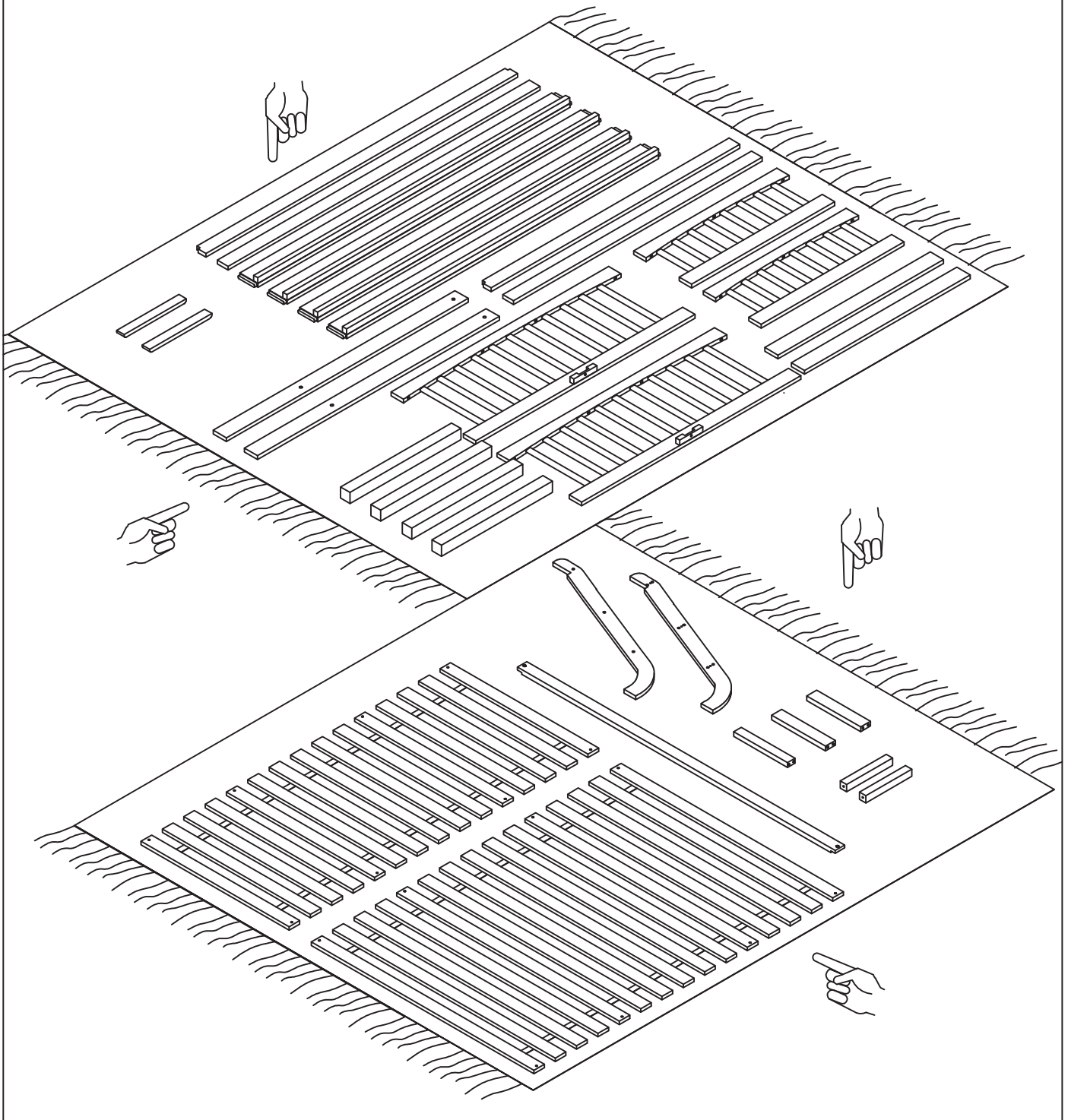
The barrel nut must be in line with the bolt. After insertion the bolt will thread through the nut to secure.



NOVARO TRIO BUNK BED ASSEMBLY INSTRUCTIONS

Layout Parts on Soft Surface

Lay out parts on a soft surface i.e. Rug, Carpet or Packaging Carton to avoid damage

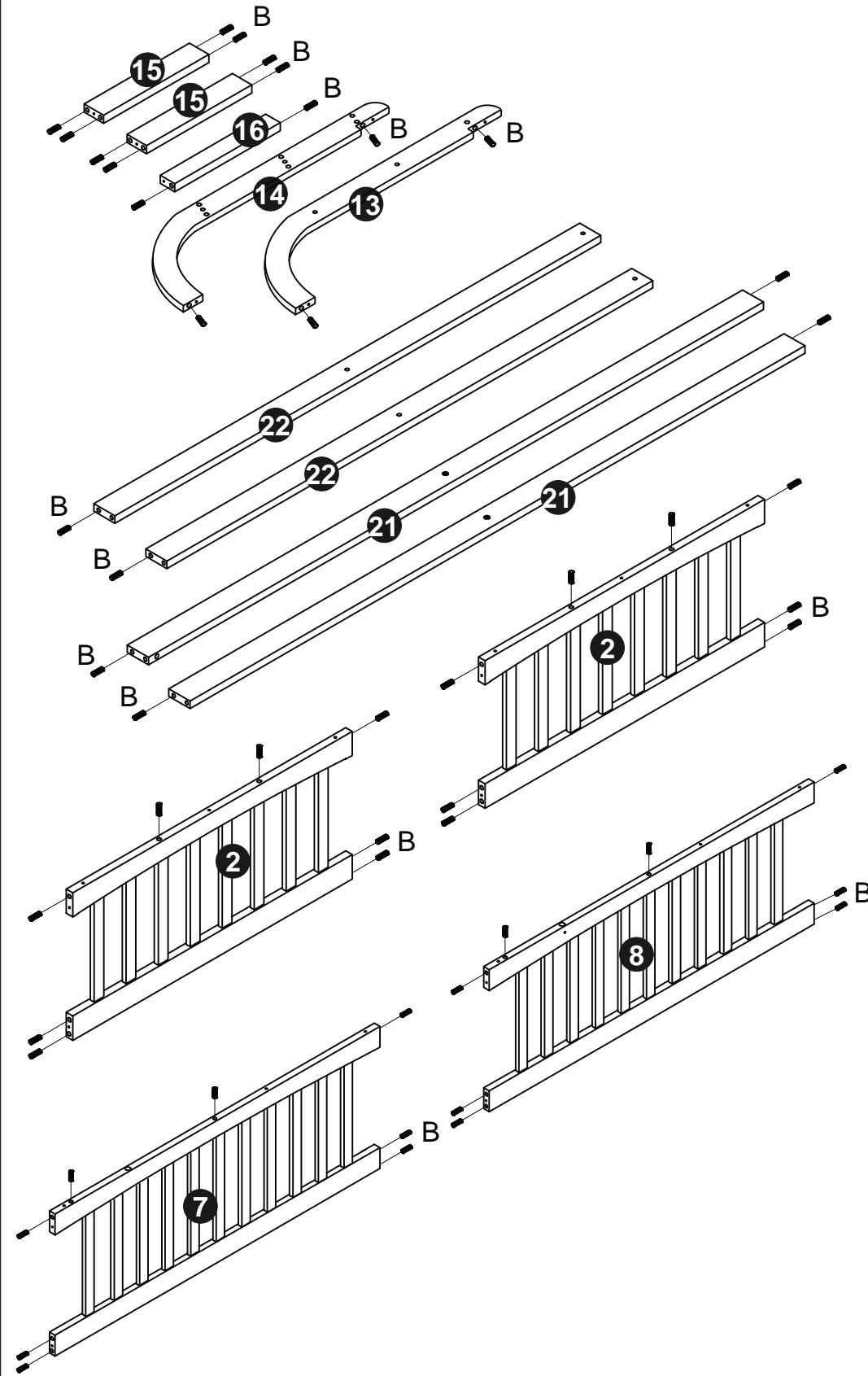


Take inventory of each part. Make sure that the proper quantity of each component is available. If any part is missing, please contact the retailer for service parts. If you find any part is defective, please contact your retailer immediately.

NOVARO TRIO BUNK BED ASSEMBLY INSTRUCTIONS

STEP 1:

PARTS REQUIRED



- 2. Upper headboard x 2
- 7. Lower Headboard Right x 1
- 8. Lower headboard Left x 1
- 13. Left ladder rail x 1
- 14. Right ladder rail x 1
- 15. Bigger rung x 2
- 16. Smaller rung x 1
- 21. Long guard rail x 2
- 22. Short guard rail x 2

B. Wood dowel x 52

NOVARO TRIO BUNK BED ASSEMBLY INSTRUCTIONS

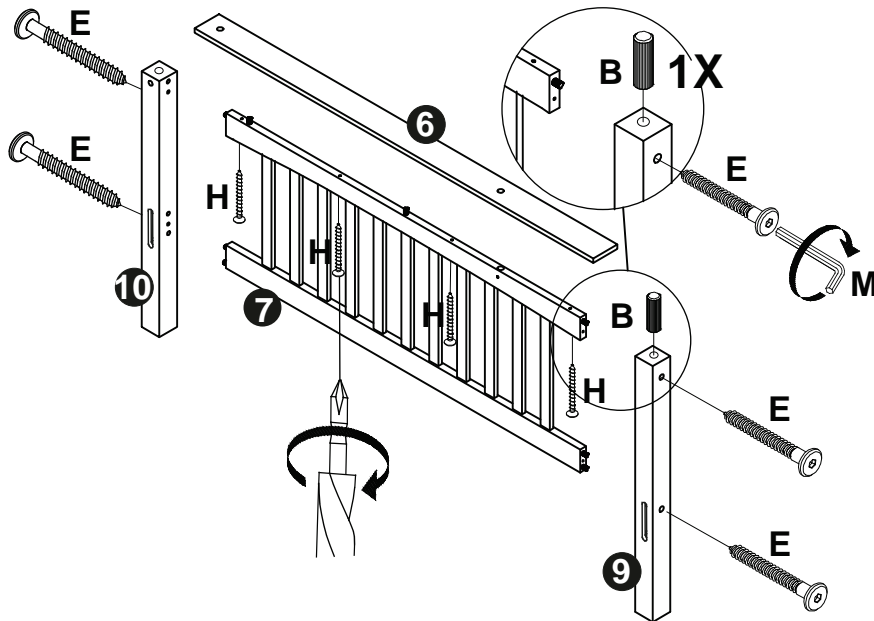
STEP 2:	PARTS REQUIRED
	<ol style="list-style-type: none"> 1. Upper top rail x 1 2. Upper headboard x 1 3. Upper post x 1 4. Upper post x 1 <p> B. Wood dowel x 2 E. Screw x 4 H. Screw x 3 M. Allen key x 1 Phillip Screwdriver x 1 </p>

STEP 3:	PARTS REQUIRED
	<ol style="list-style-type: none"> 1. Upper top rail x 1 2. Upper headboard x 1 4. Upper post x 1 5. Upper post x 1 <p> B. Wood dowel x 2 E. Screw x 4 H. Screw x 3 M. Allen key x 1 Phillip Screwdriver x 1 </p>

NOVARO TRIO BUNK BED ASSEMBLY INSTRUCTIONS

STEP 4:

PARTS REQUIRED

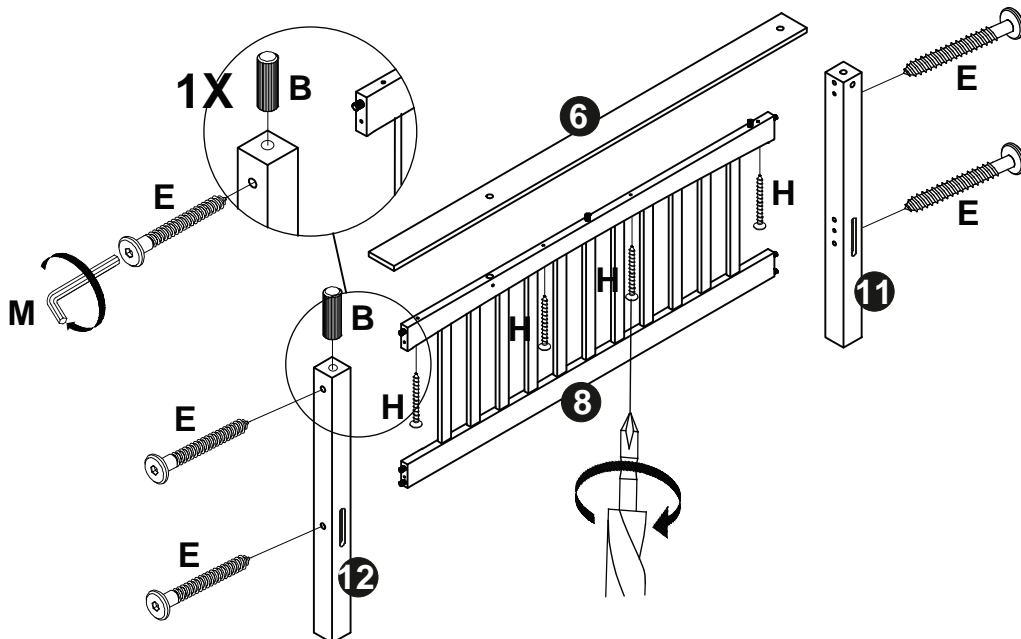


- 6. Lower top rail x 1
- 7. Lower Headboard Right x 1
- 9. Lower post x 1
- 10. Lower post x 1

- B. Wood dowel x 1
- E. Screw x 4
- H. Screw x 4
- M. Allen key x 1
- Phillip Screwdriver x 1

STEP 5:

PARTS REQUIRED



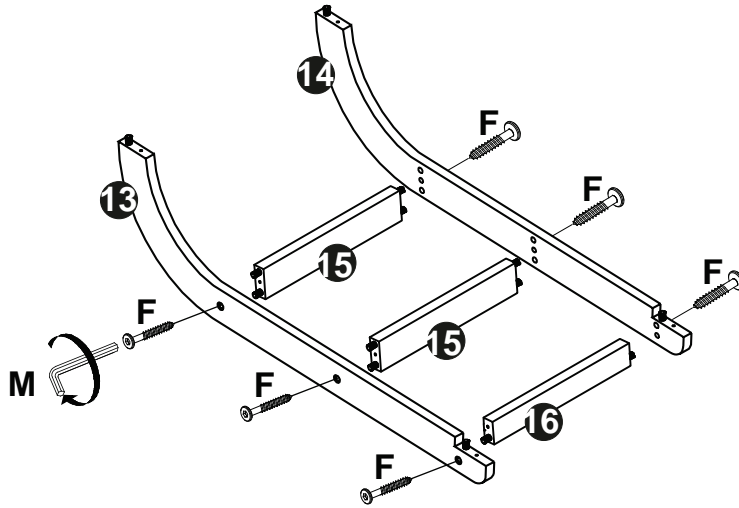
- 6. Lower top rail x 1
- 8. Lower Headboard Left x 1
- 11. Lower post x 1
- 12. Lower post x 1

- B. Wood dowel x 1
- E. Screw x 4
- H. Screw x 4
- M. Allen key x 1
- Phillip Screwdriver x 1

NOVARO TRIO BUNK BED ASSEMBLY INSTRUCTIONS

STEP 6:

PARTS REQUIRED

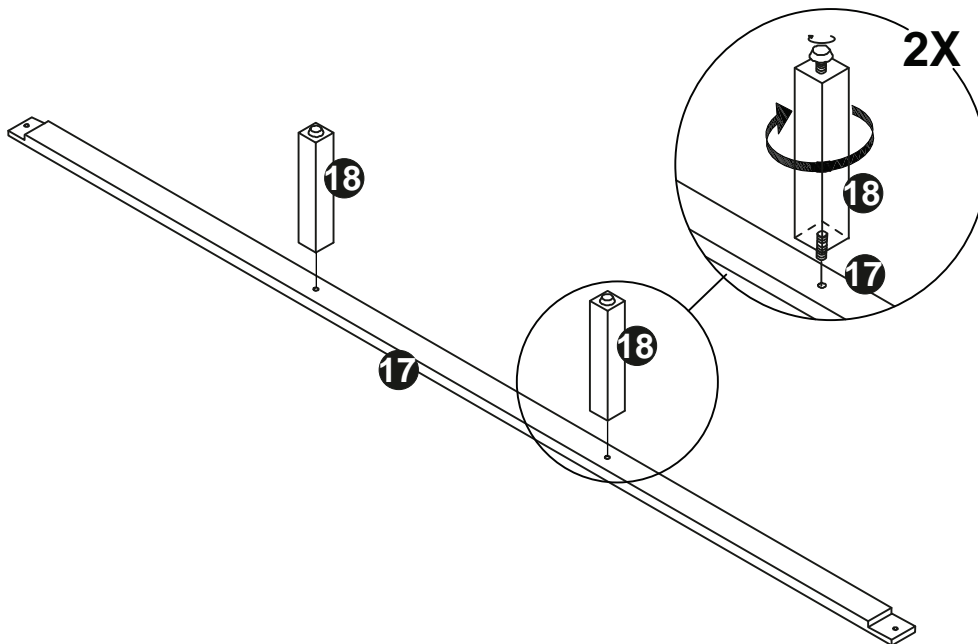


- 13. Left ladder rail x 1
- 14. Right ladder rail x 1
- 15. Bigger rung x 2
- 16. Smaller rung x 1

F. Screw x 6
M. Allen key x 1

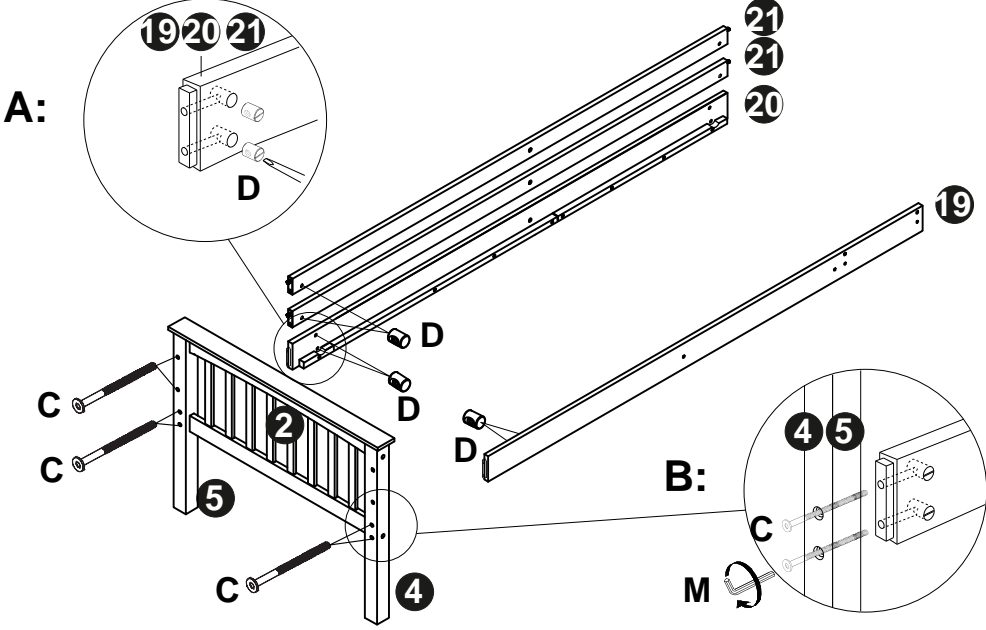
STEP 7:

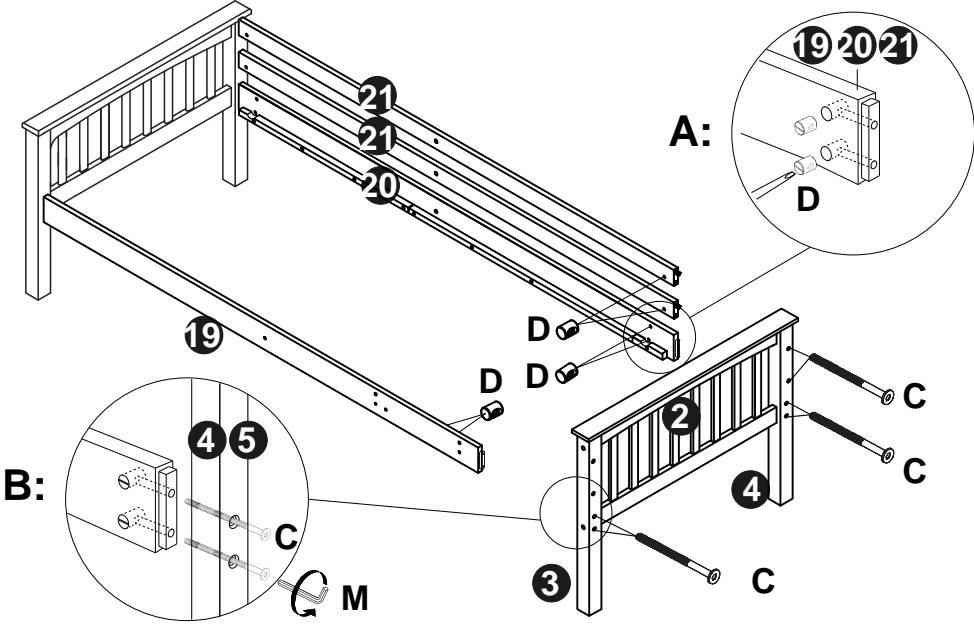
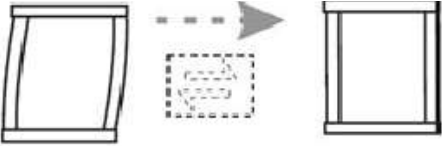
PARTS REQUIRED



- 17. Middle support bar x 1
- 18. Support feet x 2

NOVARO TRIO BUNK BED ASSEMBLY INSTRUCTIONS

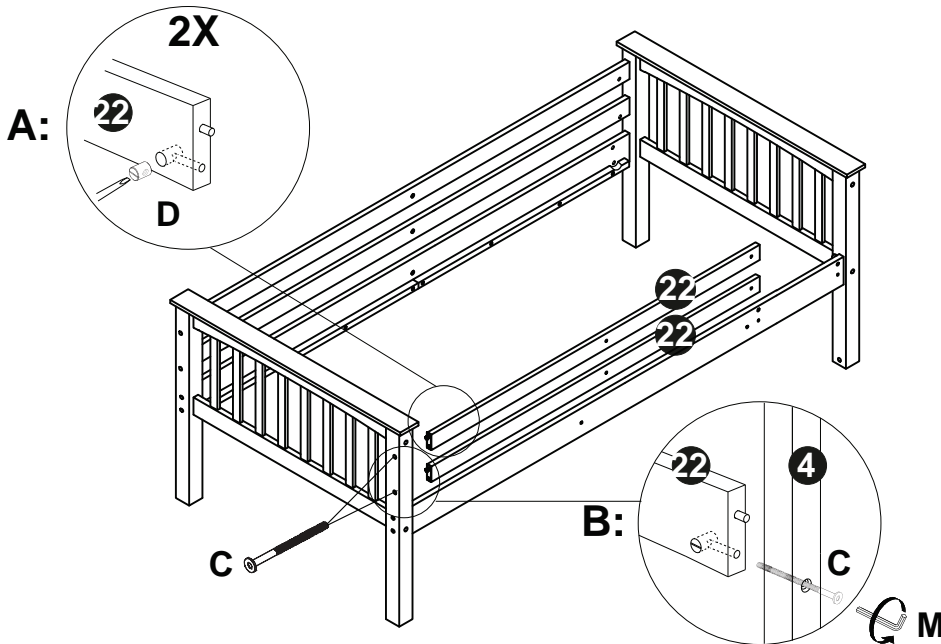
STEP 8:	PARTS REQUIRED
 <p>Ensure the Barrel nut is lined up with the Bolt when fitting.</p>	<p>* Frame 2 + 4 + 5</p> <p>19. Upper side rail (connect ladder) x 1 20. Upper side rail x 1 21. Long guard rail x 2</p> <p>C. Bolt x 6 D. Barrel nut x 8 M. Allen key x 1 Flathead Screwdriver x 1</p>

STEP 9:	PARTS REQUIRED
 <p>Ensure the Barrel nut is lined up with the Bolt when fitting.</p> <p>MAKE CERTAIN THE BED IS SQUARE AS SHOWN.</p> <p>Note: THEN tighten all bolts 100% using allen key</p> 	<p>* Frame 2 + 3 + 4</p> <p>19. Upper side rail (connect ladder) x 1 20. Upper side rail x 1 21. Long guard rail x 2</p> <p>C. Bolt x 6 D. Barrel nut x 6 M. Allen key x 1 Flathead Screwdriver x 1</p>

NOVARO TRIO BUNK BED ASSEMBLY INSTRUCTIONS

STEP 10:

PARTS REQUIRED

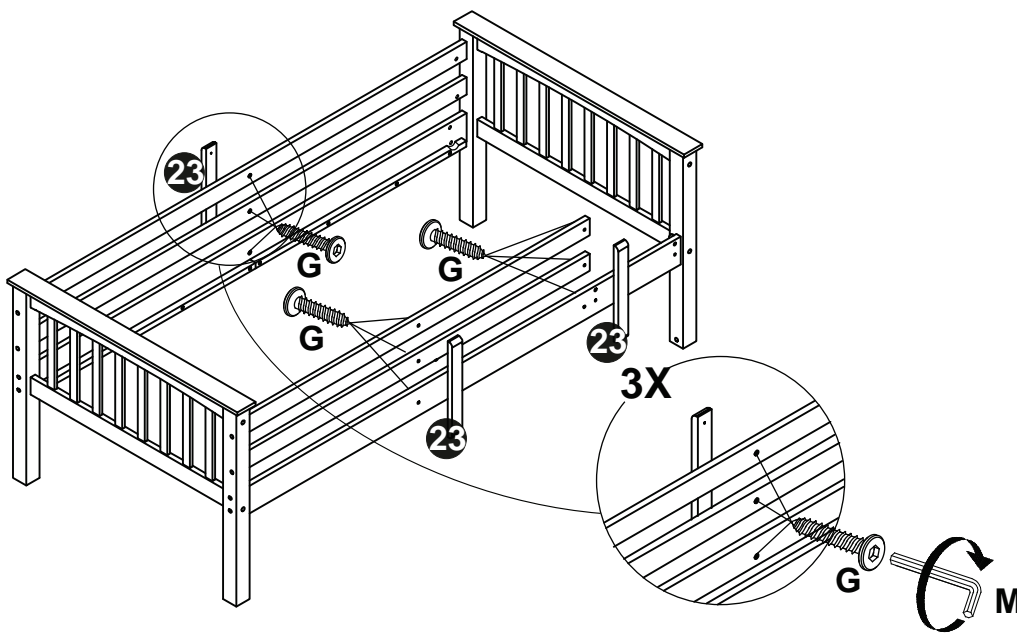


- 22. Short guard rail x 2
- C. Bolt x 2
- D. Barrel Nut x 2
- M. Allen key x 1
- Flathead Screwdriver x 1

Ensure the Barrel nut is lined up with the Bolt when fitting.

STEP 11:

PARTS REQUIRED

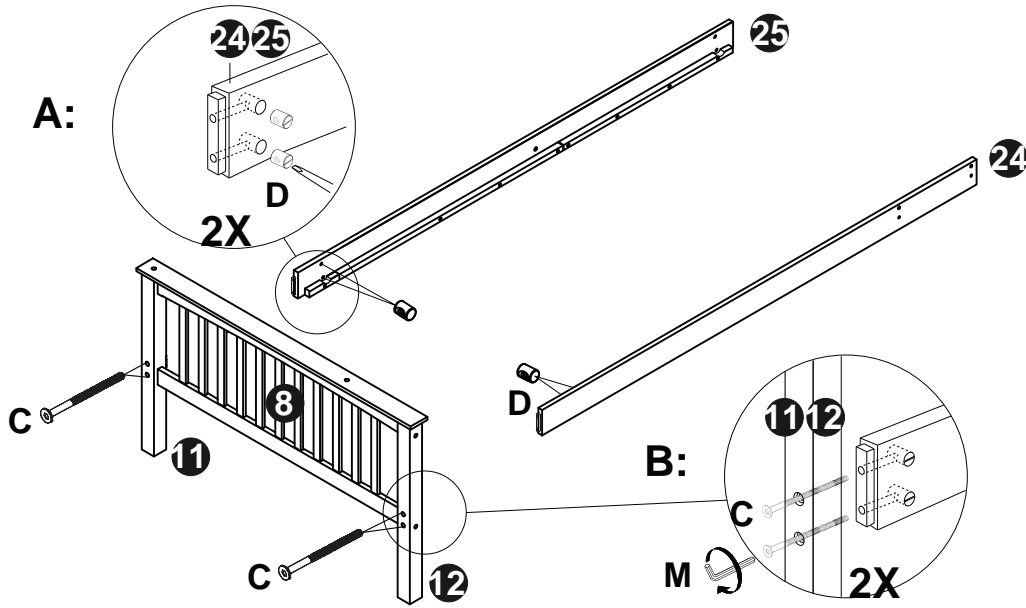


- 23. Vertical rail x 3
- G. Screw x 9
- M. Allen key x 1

NOVARO TRIO BUNK BED ASSEMBLY INSTRUCTIONS

STEP 12:

PARTS REQUIRED

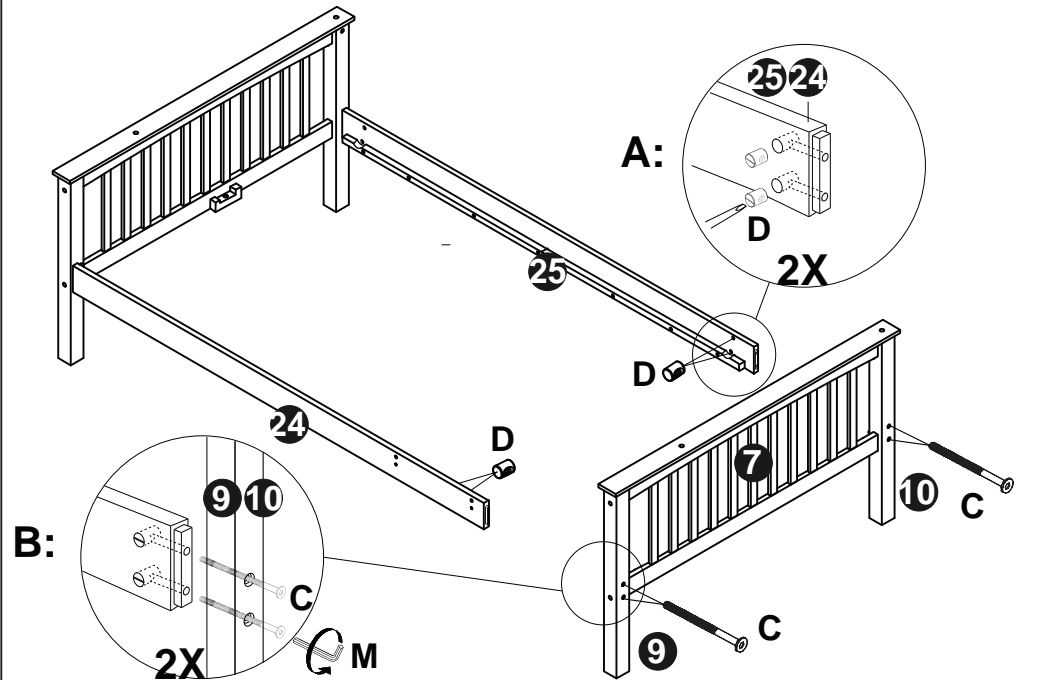


Ensure the Barrel nut is lined up with the Bolt when fitting.

- * Frame 8 + 11 + 12
- 24. Lower side rail connect ladder x 1
- 25. Lower side rail x 1
- C. Bolt x 4
- D. Barrel Nut x 4
- M. Allen key x 1
- Flathead Screwdriver x 1

STEP 13:

PARTS REQUIRED

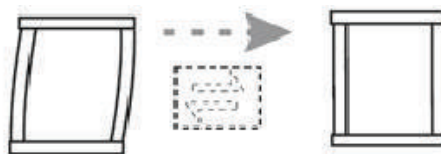


Ensure the Barrel nut is lined up with the Bolt when fitting.

- * Frame 7 + 9 + 10
- 24. Lower side rail connect ladder x 1
- 25. Lower side rail x 1
- C. Bolt x 4
- D. Barrel Nut x 4
- M. Allen key x 1
- Flathead Screwdriver x 1

MAKE CERTAIN THE BED IS SQUARE AS SHOWN.

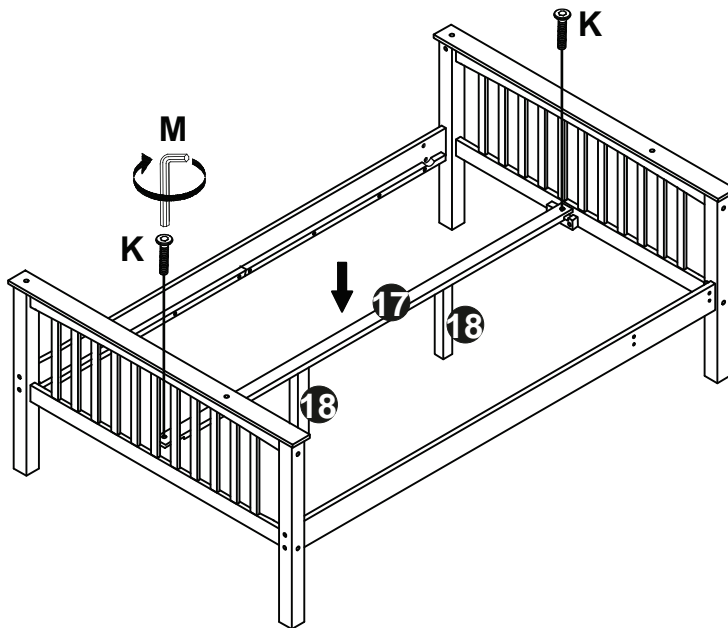
Note: THEN tighten all bolts 100% using allen key



NOVARO TRIO BUNK BED ASSEMBLY INSTRUCTIONS

STEP 14:

PARTS REQUIRED



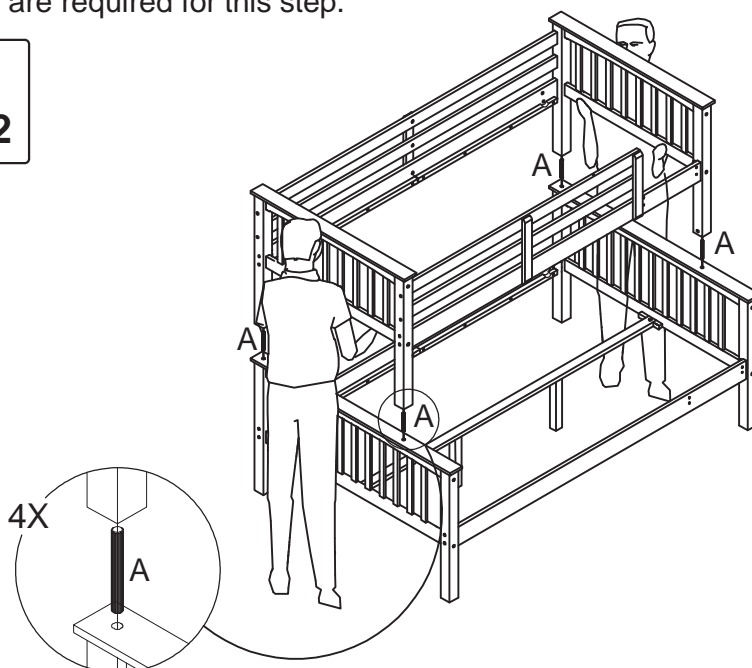
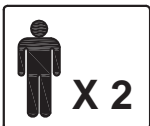
- * Lower Bed
- 17. Middle support bar x 1
- 18. Support feet x 2

- K. Bolt x 2
- M. Allen key x 1

STEP 15:

PARTS REQUIRED

2 people are required for this step.



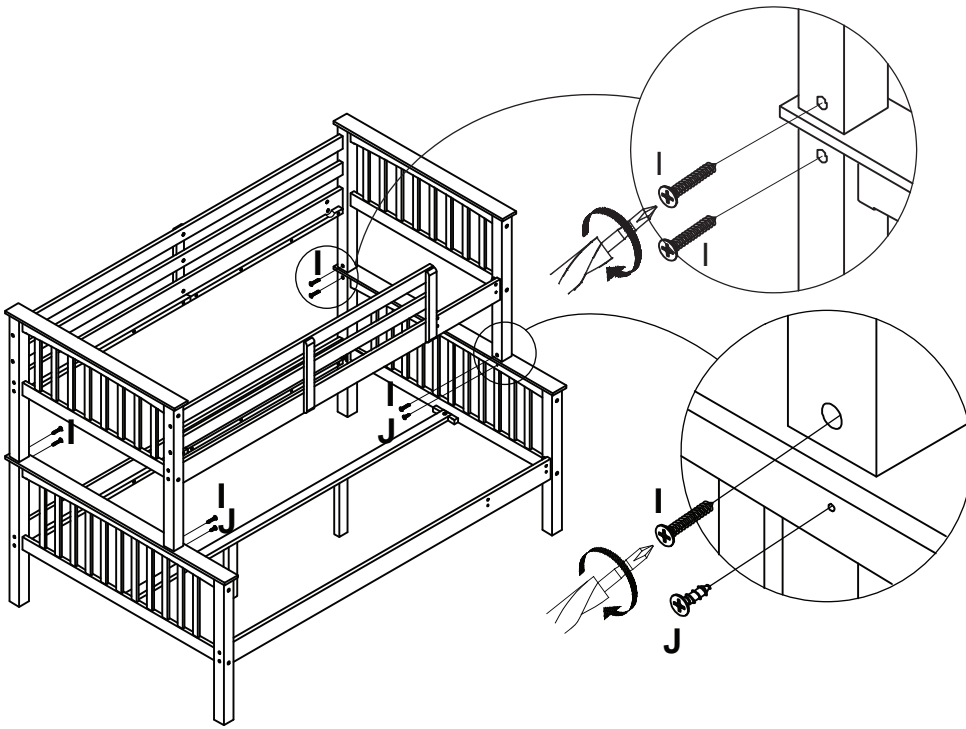
- * Lower Bed
- Upper Bed

- A. Wood dowel x 4

NOVARO TRIO BUNK BED ASSEMBLY INSTRUCTIONS

STEP 16:

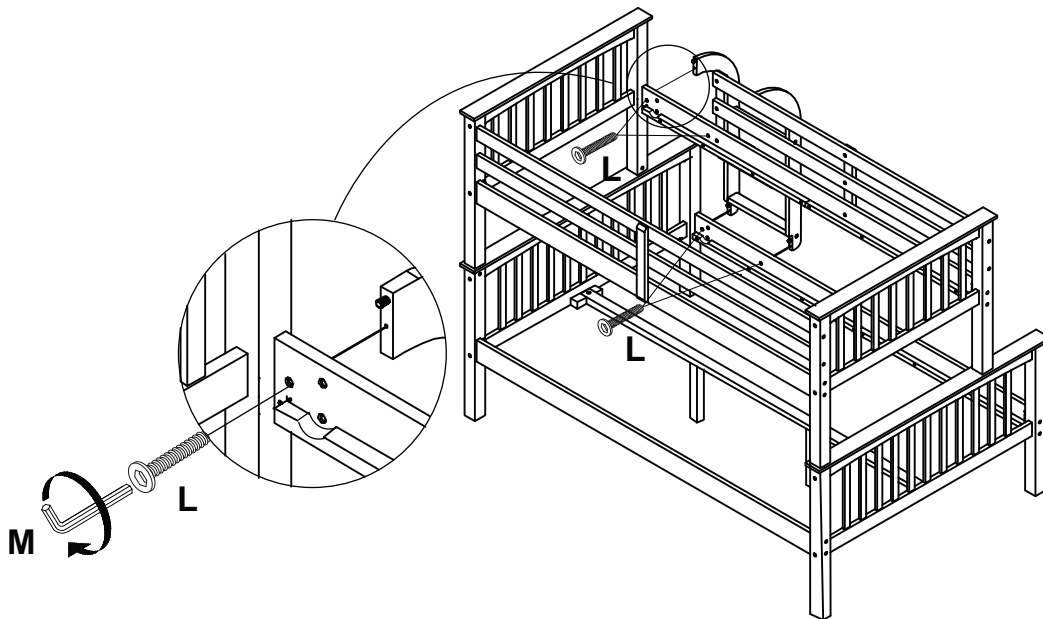
PARTS REQUIRED



- I. Screw x 6
- J. Screw x 2
- Phillip Screwdriver x 1

STEP 17:

PARTS REQUIRED



- L. Bolt x 4
- M. Allen key x 1

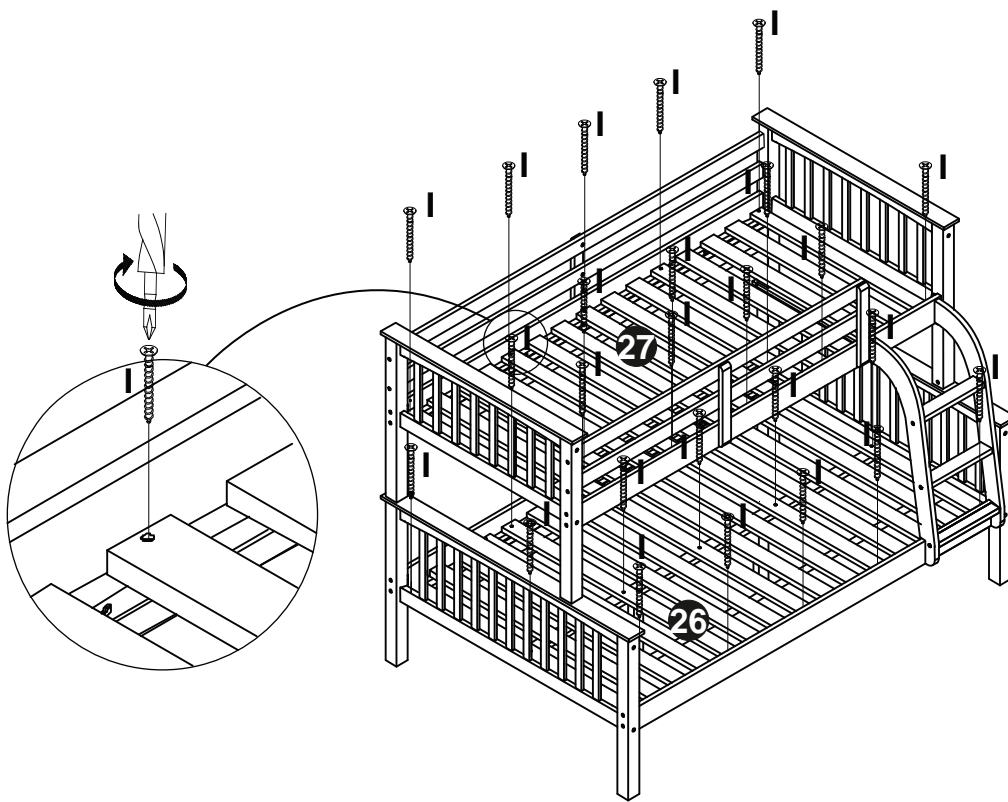
NOVARO TRIO BUNK BED ASSEMBLY INSTRUCTIONS

STEP 18:

PARTS REQUIRED

- 26. Lower slat
- 27. Upper slat

- I. Screw x 25
- Phillip Screwdriver x 1

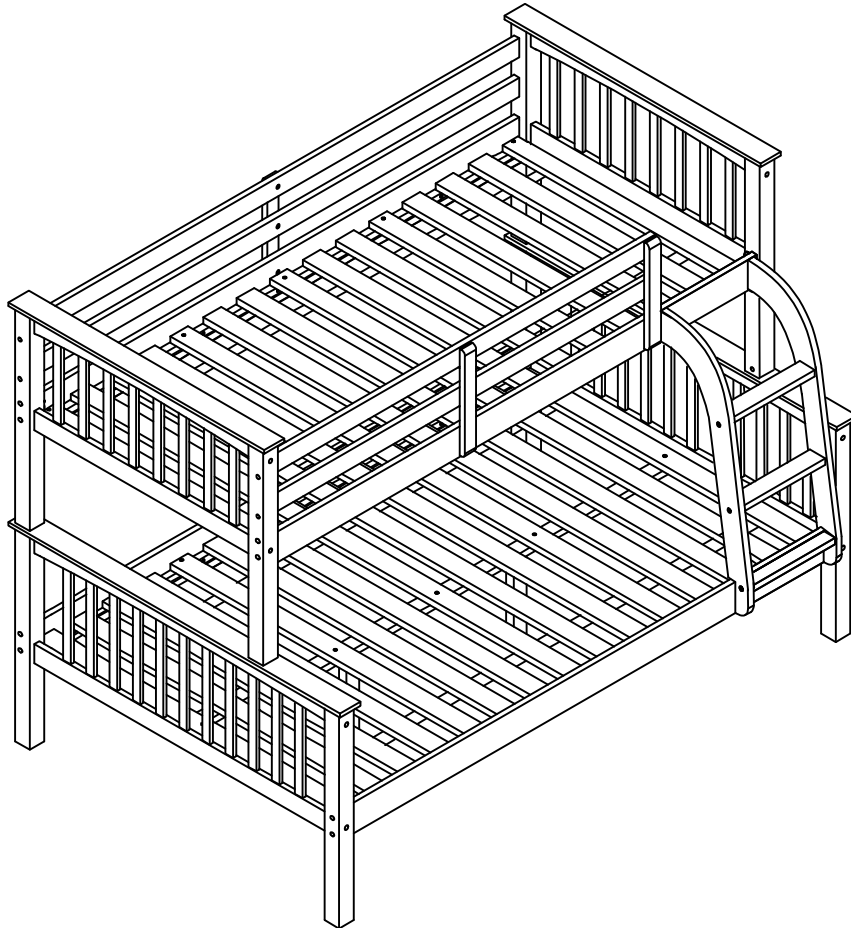


NOVARO TRIO BUNK BED ASSEMBLY INSTRUCTIONS

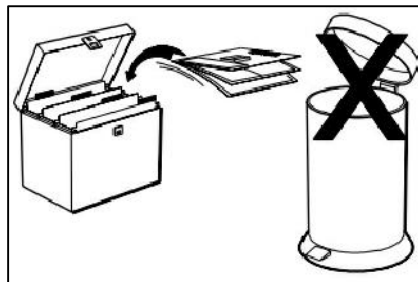
Complete Assembly

Your bed frame is now completely assembled.

Periodically check to ensure that the guardrails, ladder, and other components are in their proper position, free from damage. Also, make sure the connectors are tight and secure.



Keep instructions for future reference



NOVARO TRIO BUNK BED ASSEMBLY INSTRUCTIONS

Novaro Trio Bunk Bed - Wall Strap

We advise that a wall strap is fitted for safety precautions.

