

IMPORTANT

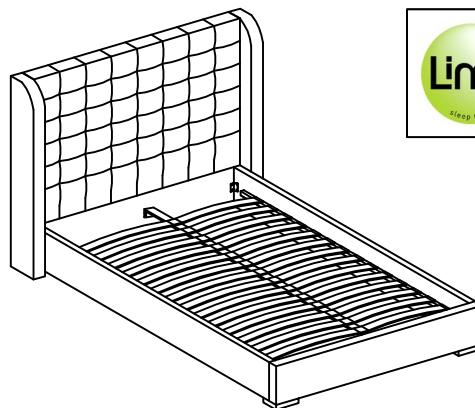
BECAUSE OF THE SIZE OF THIS UNIT, WE RECOMMEND THAT IT IS BUILT IN THE ROOM OF INTENDED USE AND ASSEMBLED BY 2 PEOPLE.

BEFORE YOU START, HERE IS SOME HELPFUL ADVICE.

1. The product you have purchased will give you many years of service if you follow the guidelines for its safe assembly, periodic maintenance and cleaning.
2. Do not use any tools other than those indicated. Use of a power tool to assemble the product will invalidate any claim and could make this product unsafe.
3. Do not discard any packaging until you have checked that you have all the parts and hardware. Discard any excess fittings and keep all fittings out of reach of children.
4. Assemble this product on a clean flat surface to avoid any scratching.
5. Assemble all parts loosely before tightening any bolts. Ensure bolts are fully tightened but not forced as over-tightening may damage this product and/or fittings.

CARING FOR YOUR LIMELIGHT BED

1. When moving your fully assembled bed, you must first remove the mattress and lift the frame into position. Take care when lifting to always have two people handling the bed. PLEASE DO NOT DRAG THE BED as this may cause misalignment to the bedbase, making it unsafe.
2. It is advisable to use approved leather cleaning products when cleaning the upholstered panels as certain chemical based cleaners could have an adverse effect on the faux leather finish.
3. Depending on usage, it may be necessary to tighten up the fittings from time to time.

**PROBLEM?**

All Limelight beds are produced to the highest standards and are packed to avoid damages in transit. Should you find that your new bed does not meet your satisfaction, please contact us.

If you encounter any difficulty with the assembly of your bed, PLEASE DO NOT TROUBLE your retailer but do contact our **CUSTOMER SERVICES DEPARTMENT** at the following hours:

**9.00AM TO 5.00PM on MONDAY TO THURSDAY,
9.00AM TO NOON on FRIDAY.**

TEL: 01455 850150

FAX: 01455 845149

EMAIL : info@limelightbeds.co.uk

ADDRESS:

**Limelight Beds Ltd
Orbital House, Arthur Street
Barwell, Leicestershire, LE9 8GZ**

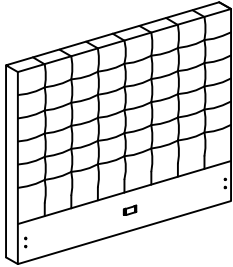
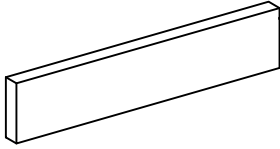
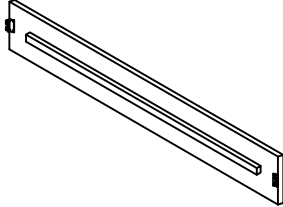
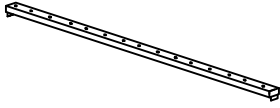
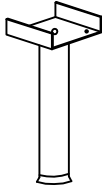

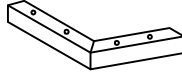
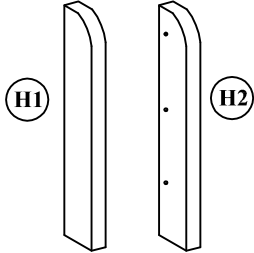
Please have the PRODUCT NAME and PART NUMBER ready for our staff.

See our product range online at www.limelightbeds.co.uk

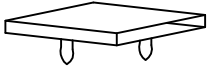

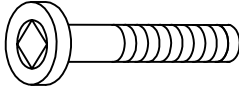
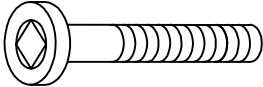
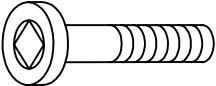


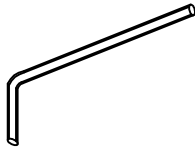
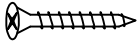
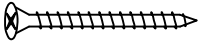
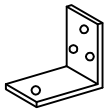
IMPORTANT NOTICE

Should you need to return unassembled product . Please repack in original packaging .

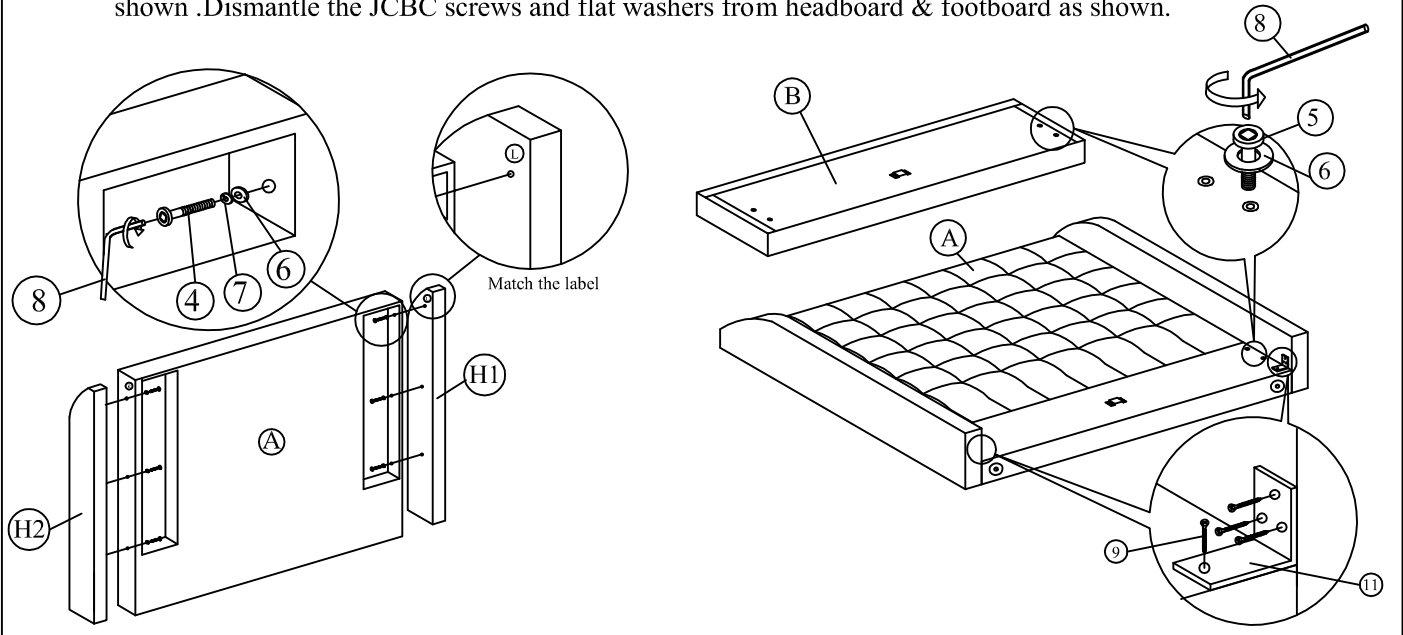
PARTS LIST

<p>(A) HEADBOARD (1 PC)</p> 	<p>(B) FOOTBOARD (1 PC)</p> 	<p>(C) SIDE RAIL (2 PCS)</p> 	<p>(D) CENTRAL RAIL (1 PC)</p> 
<p>(E) SUPPORT LEG (2 PCS)</p> 	<p>(F) SPRUNG SLAT (28 PCS)</p> 	<p>(G) LEGS (2 PCS)</p> 	<p>(H) SIDE WING (2 PCS)</p> 

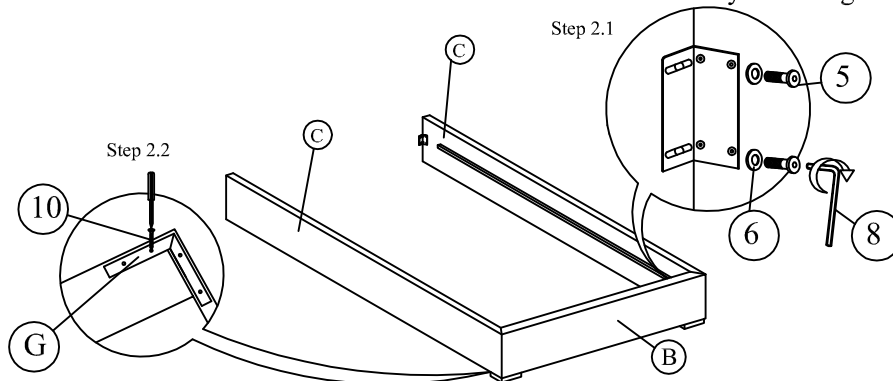
HARDWARE LIST

<p>(1) SLAT MIDDLE HOLDER (14 PCS)</p> 	<p>(2) SLAT END HOLDER (28 PCS)</p> 	<p>(3) JCBC M6 X 40mm(2 PCS)</p> 	<p>(4) JCBC M6 X 50mm(6 PCS)</p> 
<p>(5) JCBC M6 x 35mm (8pcs) (PRE-ATTACHED) (To A + B)</p> 	<p>(6) Flat Washers (8+6 pcs) (8 PCS PRE-ATTACHED) (To A + B)</p> 	<p>(7) Spring Washers (6pcs)</p> 	<p>(8) ALLEN KEY M4 X 65mm (1 PC)</p> 
<p>(9) CSK M4 x 25mm (10 PCS)</p> 	<p>(10) CSK M4 x 50mm (8 PCS)</p> 	<p>(11) L- Bracket (2 PCS)</p> 	

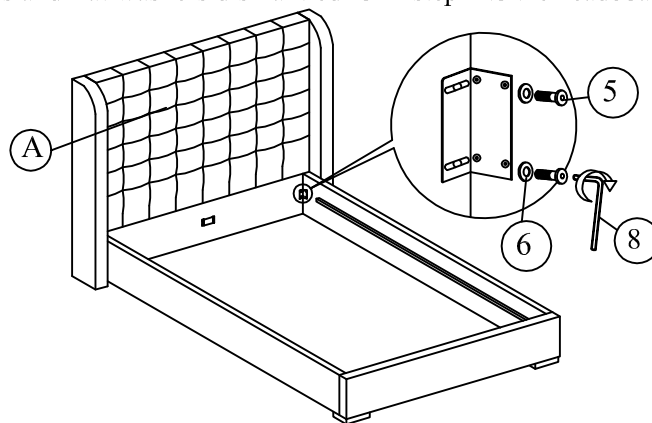
Step 1 :Attach the side wing to the headboard by tighten the JCBC , Attach the L-Bracket to side wing & headboard as shown .Dismantle the JCBC screws and flat washers from headboard & footboard as shown.



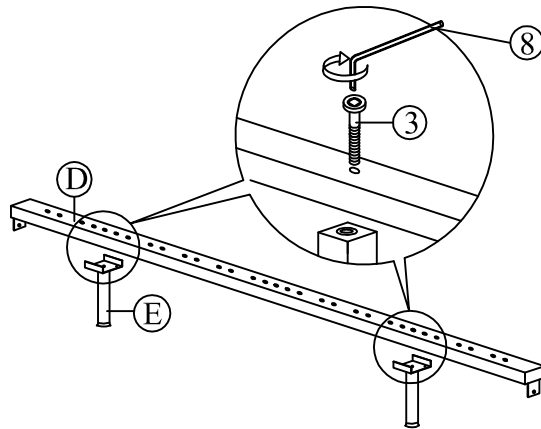
Step 2: Attach both of the side rails to the footboard as shown. Follow by installing the wooden leg at the bottom.



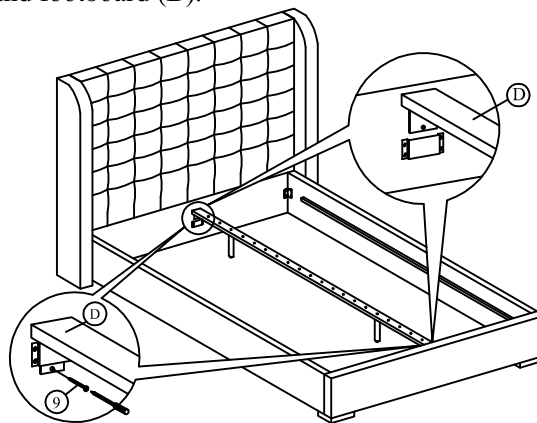
Step 3: Re-attach the screws and flat washers dismantled form step 1 to the headboard. Do not fully tighten the screws at this point .



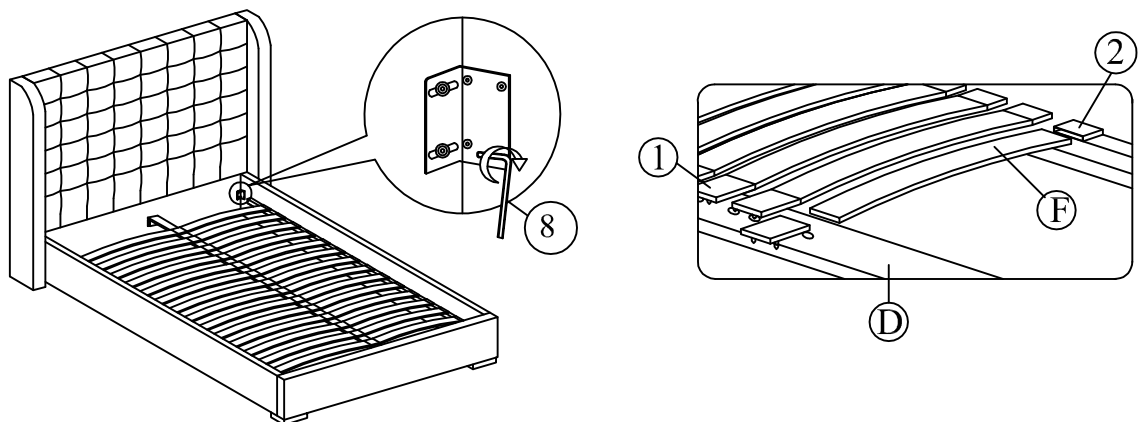
Step 4: Attach the support legs (E) to the center rail (D) of the bed as shown.



Step 5: Slide the center rail (D) to the headboard (A) and footboard (B). Tighten screws (9) using screw driver (not included) to the headboard (A) and footboard (B).



Step 6: Assemble the slats and its holders. Tighten the 4 corners.



END OF INSTRUCTION

Caring for your new Limelight Product

- When assembling your furniture/ bed please ensure that you have checked the contents for all relevant parts.
- When tightening bolts make sure that they are fully tightened but not forced.
- For your bed, the central support legs must be fitted to the bed to avoid distortion of the frame.
- When moving your fully assembled bed you must first remove the mattress and lift the frame into position, take care when lifting and always have two people handling the bed. PLEASE DO NOT DRAG THE BED as this will cause damage to the central support legs and rail.
- It is advisable to use approved cleaning products when cleaning the furniture and bed frame as certain chemical based cleaners could have an adverse effect on the bed finish.
- All Limelight beds are produced to the highest standards and are packed to avoid damage in transit, should you find that your new bed does not meet with your satisfaction please contact Limelight customer care on 01455 850150.
- **PLEASE NOTE: GOODS THAT NEED TO BE RETURNED SHOULD BE SENT BACK IN ORIGINAL PACKAGING.**

PROBLEMS?

**SHOULD YOU ENCOUNTER ANY DIFFICULTY WITH THE
ASSEMBLY OF YOUR BED, PLEASE DO NOT TROUBLE
YOUR RETAILER BUT**

**CALL, FAX, E-MAIL or WRITE to our
CUSTOMER SERVICES DEPARTMENT**

**BETWEEN THE HOURS OF
9.00am to 5.00pm MONDAY to THURSDAY AND
9.00am to 4.00pm FRIDAY**

Tel:-01455 850150

Fax:-01455 848169

E-mail: -info@limelightbeds.co.uk

**Limelight Beds Ltd
Orbital House
Arthur Street
Burwell
Leicestershire
LE9 8GZ**

**Please have the following information ready for our
staff**

Product Name

Part number

**See our range on Web Site: -
www.limelightbeds.co.uk**



BEDS WITH CENTRE LEGS

PLEASE NOTE THE RECOMMENDED PROCESS FOR ADJUSTING CENTRE LEGS WHEN ASSEMBLING YOUR BED.

BEFORE PLACING THE MATTRESS ON THE BASE, PLEASE ENSURE THAT THE SUPPORT LEGS ARE NOT QUITE TOUCHING THE FLOOR. WHEN THE BED IS THEN IN USE THE SUPPORT LEGS WILL SIT FIRMLY ON THE SOLID SURFACE.

PLEASE ENSURE THAT THE LEGS ARE VERTICAL.

DUE TO THE NATURE OF LAMINATE FLOORING WE RECOMMEND THAT YOU PLACE A SMALL PIECE OF NON SLIP MATERIAL UNDER THE LEGS WHICH WILL GIVE YOU THE FLEXIBILITY THAT THE ADJUSTERS NEED.

WHEN MOVING THE BED IT IS ESSENTIAL THAT IT IS **LIFTED** INTO THE NEW POSITION. **NEVER DRAG** THE BED AS THIS WILL MOVE THE LEGS FROM THE VERTICAL POSITION THUS WEAKENING THE SUPPORT OF THE CENTRE RAIL.

ADHERING TO THE RECOMMENDED PROCESS SHOULD ENSURE THAT YOUR BED GIVES YOU YEARS OF TROUBLEFREE SERVICE.

THANK YOU