

IMPORTANT

BECAUSE OF THE SIZE OF THIS UNIT, WE RECOMMEND THAT IT IS BUILT IN THE ROOM OF INTENDED USE AND ASSEMBLED BY 2 PEOPLE.

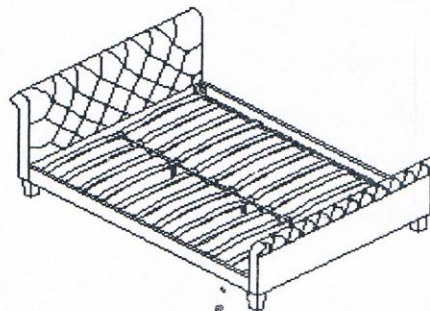
BEFORE YOU START, HERE ARE SOME HELPFUL ADVICE.

1. The product you have purchased will give you many years of service if you follow the guidelines for its safe assembly, periodic maintenance and cleaning.
2. Do not use any tools other than those indicated. **Use of a power tool to assemble the product will invalidate any claim and could make this product unsafe.**
3. Do not discard any packaging until you have checked that you have all the parts and hardware. Discard any excess fittings and keep all fittings out of reach of children.
4. Assemble this product on a clean flat surface to avoid any scratching.
5. Assemble all parts loosely before tightening any bolts. Ensure bolts are fully tightened but not forced as over-tightening may damage this product and/or fittings.

CARING FOR YOUR LIMELIGHT BED

1. When moving your fully assembled bed, you must first remove the mattress and lift the frame into position. Take care when lifting to always have two people handling the bed. **PLEASE DO NOT DRAG THE BED** as this may cause misalignment to the bedbase, making it unsafe.
2. It is advisable to use approved leather cleaning products when cleaning the upholstered panels as certain chemical based cleaners could have an adverse effect on the faux leather finish.
3. Depending on usage, it may be necessary to tighten up the fittings from time to time.

DO NOT STAND ON THE BED

**PROBLEM?**

All Limelight beds are produced to the highest standards and are packed to avoid damages in transit. Should you find that your new bed does not meet your satisfaction, please contact us.

If you encounter any difficulty with the assembly of your bed, **PLEASE DO NOT TROUBLE** your Retailer but do contact our **CUSTOMER SERVICES DEPARTMENT** at the following hours:

**9.00AM TO 5.00PM on MONDAY TO THURSDAY,
9.00AM TO NOON on FRIDAY.**

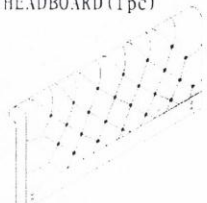
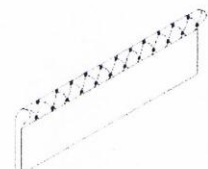



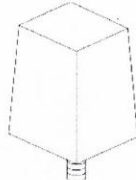

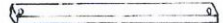
TEL : 01455 850150 FAX : 01455 848169
EMAIL : info@limelightbeds.co.uk

ADDRESS :
Limelight Beds Ltd
Orbital House, Arthur Street
Barwell, Leicestershire, LE9 8GZ

Please have the **PRODUCT NAME** and **PART NUMBER** ready for our staff.

See our product range online at www.limelightbeds.co.uk

PARTS LIST

<p>1 HEADBOARD (1pc)</p> 	<p>2 FOOTBOARD (1pc)</p> 	<p>3 SIDERAIL (2pc)</p> 	<p>4 SUPPORT LEG (2pc)</p> 
<p>5 CENTRAL RAIL (1pc)</p> 	<p>6 WOOD LEG (4pc)</p> 	<p>7 SPRUNG SLAT (26pc)</p> 	<p>8 ACROSS BAR (1pc)</p> 

HARDWARE LIST



A x1^{PCS}



Dx4^{PCS}



Gx13^{PCS}



Jx2^{PCS}



M8 x25mm

B x16^{PCS}



M6x20mm

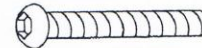
Ex2^{PCS}



Hx26^{PCS}

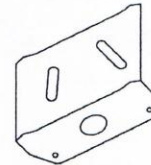


Kx2^{PCS}

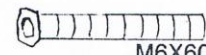


M8 x40mm

Cx2^{PCS}



Fx2^{PCS}



M6x60mm

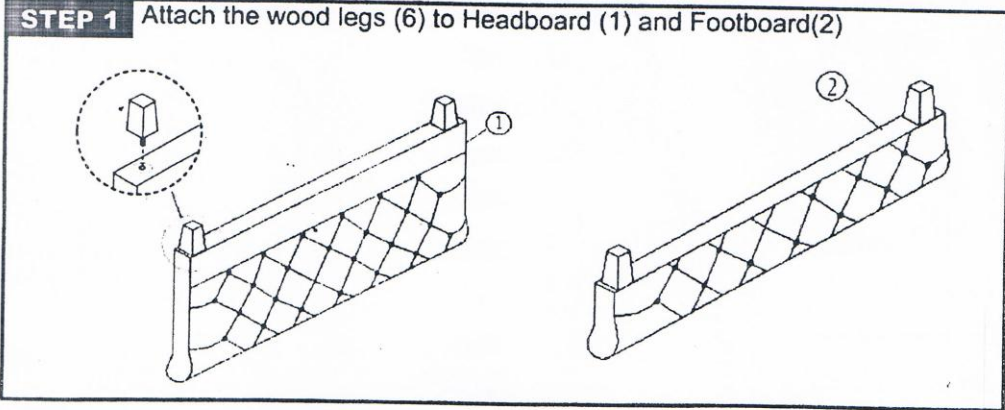
Ix2^{PCS}



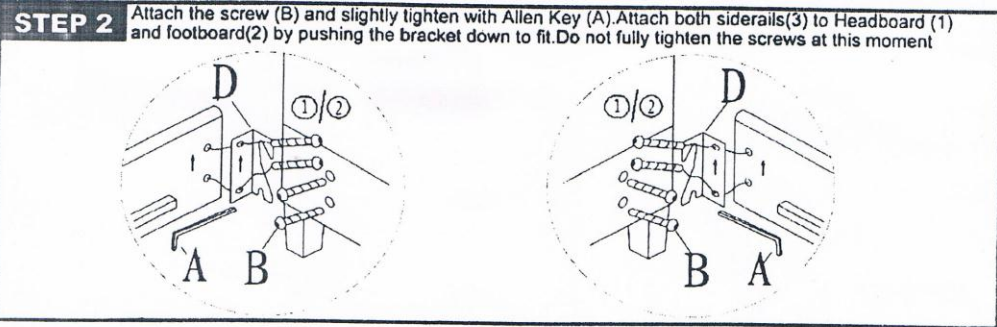
Smaller one

Mx1^{PCS}

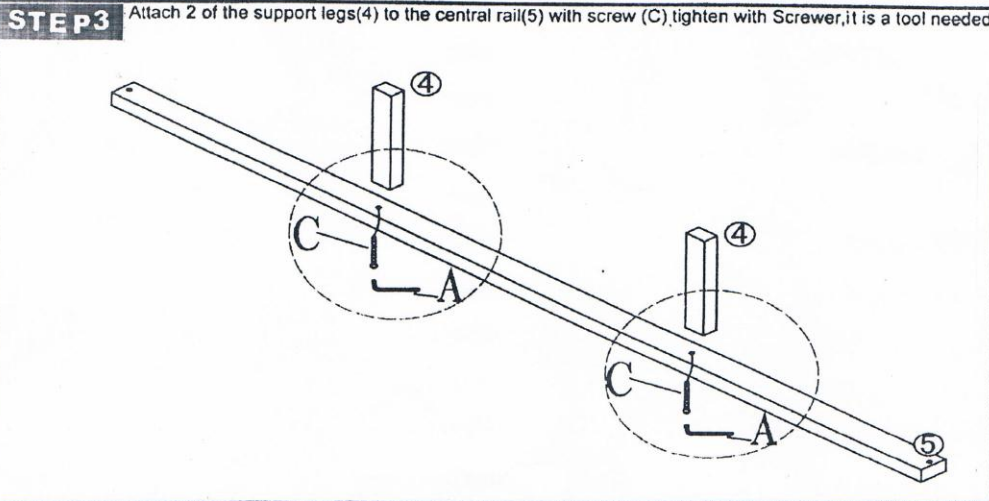
STEP 1 Attach the wood legs (6) to Headboard (1) and Footboard(2)



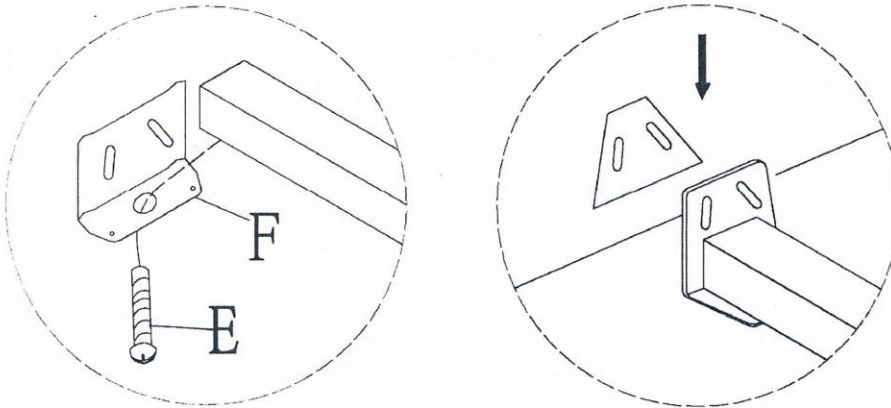
STEP 2 Attach the screw (B) and slightly tighten with Allen Key (A). Attach both siderails(3) to Headboard (1) and footboard(2) by pushing the bracket down to fit. Do not fully tighten the screws at this moment



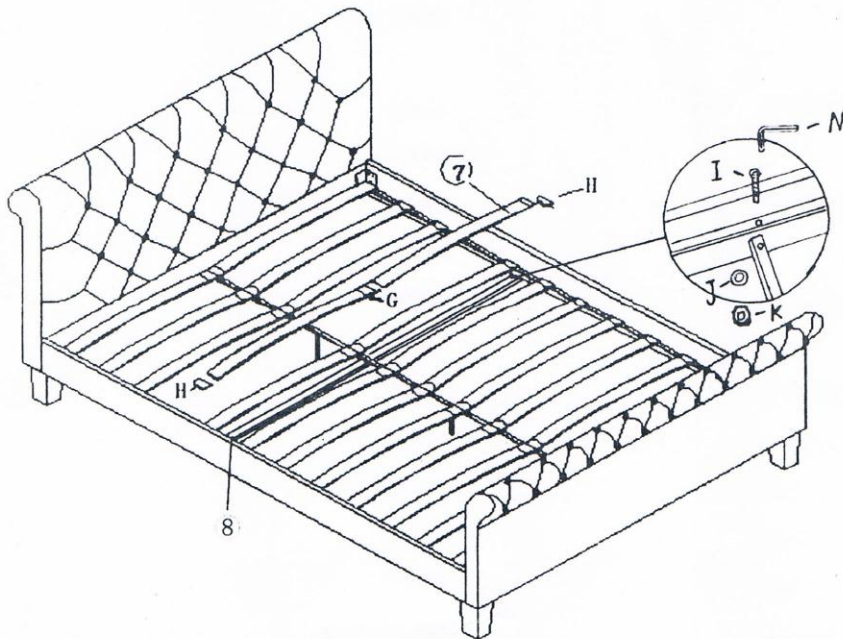
STEP 3 Attach 2 of the support legs(4) to the central rail(5) with screw (C), tighten with Screwdriver, it is a tool needed



STEP 4 Attach the central rail(5) to the Headboard(1) and footboard(2) with Screw (E) and (F) .



STEP 5 Insert the Sprung slats (7) to Both end of slat middle holder (G) before attaching slat end holder (H) to the other end of sprung slats. Having done this, press down the middle holder (G) and the end holder (H) to the siderai support and central rail. Repeat the above for balance rows.



END OF INSTRUCTION