

TETRAS 120cm to 150cm BED

ASSEMBLY INSTRUCTIONS



1. Please read through and follow the step-by-step instructions in the leaflet.
 2. We recommend that assembly is done in the room intended for use and it is assembled by two people.
 3. Please do not discard any packaging before you have checked all the parts and fittings are included.
 4. Assemble this product on a flat and clean surface to avoid scratching.
 5. Do not tighten any bolts before all the parts have been assembled loosely. Product and/or fittings might be damaged by over tightening screws or bolts. Beware of cross-threading the screws or nuts during assembly.
 6. Keep fittings away from childrens' resch.
 7. Wipe clean using soft damp cloth followed by a dry cloth.
 8. Do not use abrasives or cleaning peoducts which may contain ammonia or solvents.
 9. Take care when handling or moving the furniture. Careless handling can damage the flooring. try to lift rather than drag.
- SAFETY WARNING:** Do not stand on the bedbase without a mattress on it.

COMPONENT PARTS

[1]-Headend x 1pc

[2]-Footend x 1pc



[3]- Headend Wood Post x 2pcs



[4]- Footend Wood Post x 2pcs



[5]- Siderail x 2pcs



[6] - Centre Rail x 1pc



[7]- Across Bar x 3pcs



[8] - Wooden Slats x 24pcs



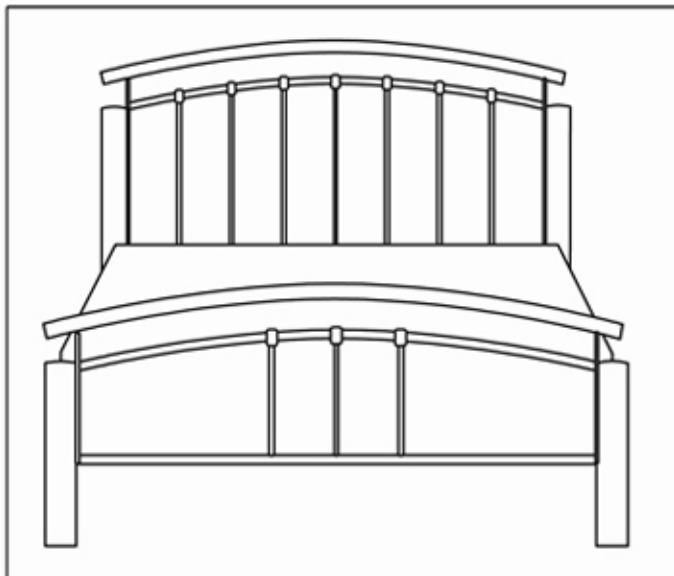
[9]- Centre Plastic Holder x 12pcs



[10]- Side Plastic Holder x 24pcs



[11]- Support Legs x 3pcs



FITTINGS

[A] - M6x20mm bolts x 16pcs



[B] - M6x35mm bolts x 5pcs



[C] - M6x50mm bolts x 6pcs



[D] - M6x55mm bolts x 3pcs



[E] - M6 Hex Nuts x 14pcs



[F] - M6 Allen Key x 1pc

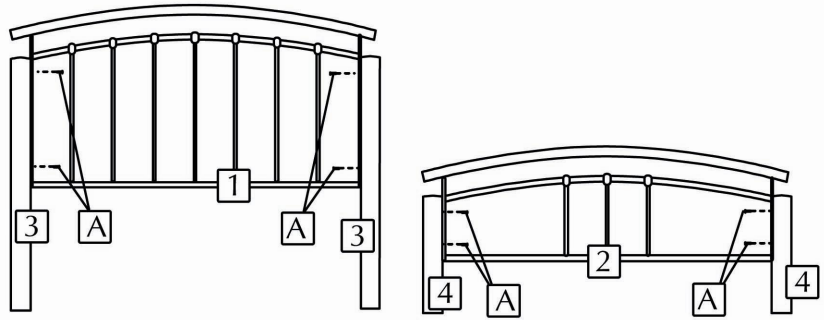


[G] - Spnner x 1pc



STEP 1 : FRONT VIEW

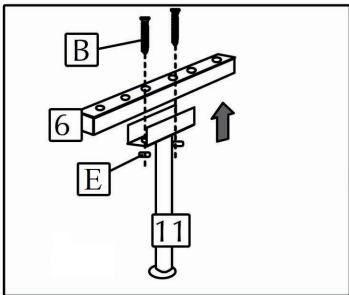
Attach the Headend [1] and Footend [2] to the Headend Wood Post [3] and Footend Wood Post [4] to form headend and footend.



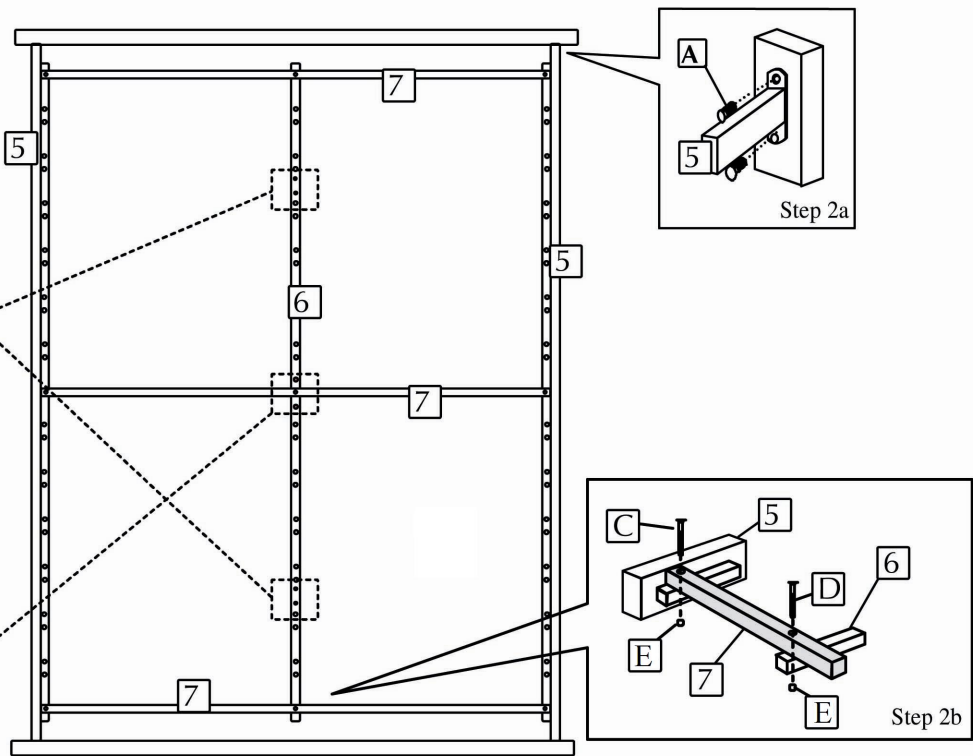
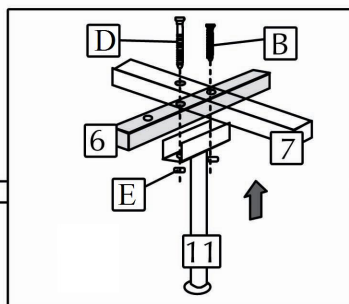
STEP 2a : Attach Siderails [5] to the Headend and Footend.

STEP 2b : Attach Across Bar [7] and followed by the Centre Rail [6] to form the bed base.

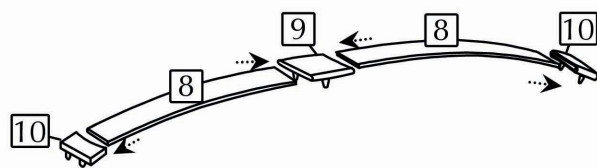
STEP 2c : Attach the Support Legs [11] to the Centre Rail [6].



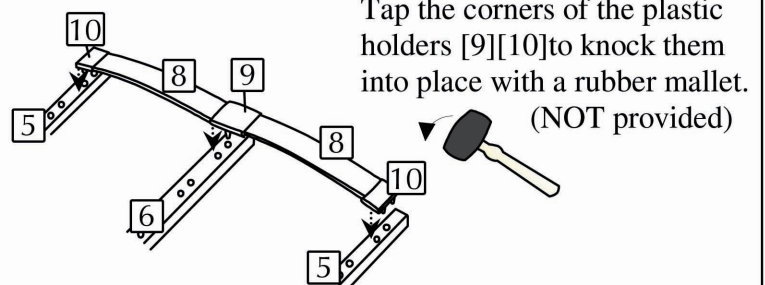
STEP 2d : Attach the Support Legs [11] to the Centre Rail [6] and Across Bar [7].



STEP 3 : Insert the Wooden Slat [8] into the Plastic Holders [9][10] as shown.



STEP 4 : Align the pins on the Plastic Holders [9][10] to the holes along the Centre Rail [6] and the Siderails [5]. Gently tap them into the holes.



Please check and tighten all bolts after assembling.

Remember to re-check and tighten screws and bolts periodically or when necessary.



CARE INSTRUCTIONS

- Wipe clean using a soft damp cloth followed by a dry cloth.
- Do not use abrasives or cleaning products which may contain ammonia or solvents.
- Take care when handling or moving the furniture. Careless handling can damage furniture, try to lift rather than drag.