

# Model: OSLO TWIN BUNK BED

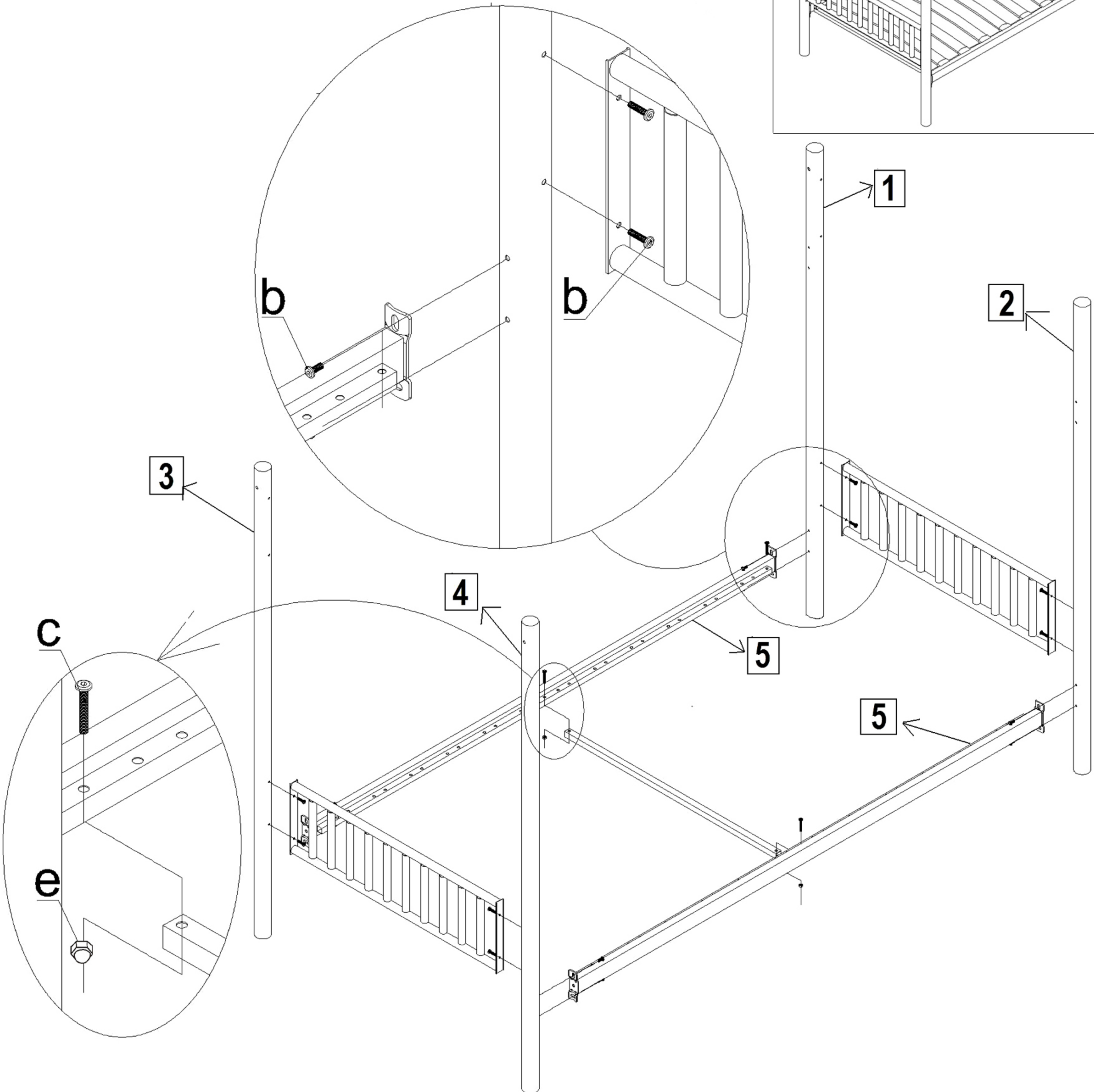
# Assembly steps 1 to 5

**ATTENTION:**  
 Do not tighten any bolts before all the parts have been assembled loosely. Product and/or fittings might be damaged by not tighten any bolts before all the parts have been assembled loosely. Product and/or fittings might be damaged by over tightening screws or bolts. Beware of cross-threading the screws or nuts during assembly.  
 Wipe clean using soft damp cloth followed by a dry cloth.  
 Do not use abrasives or cleaning products which may contain ammonia or solvents.  
 Take care when handling or moving the furniture. Careless handling can damage the flooring. try to lift rather than drag.



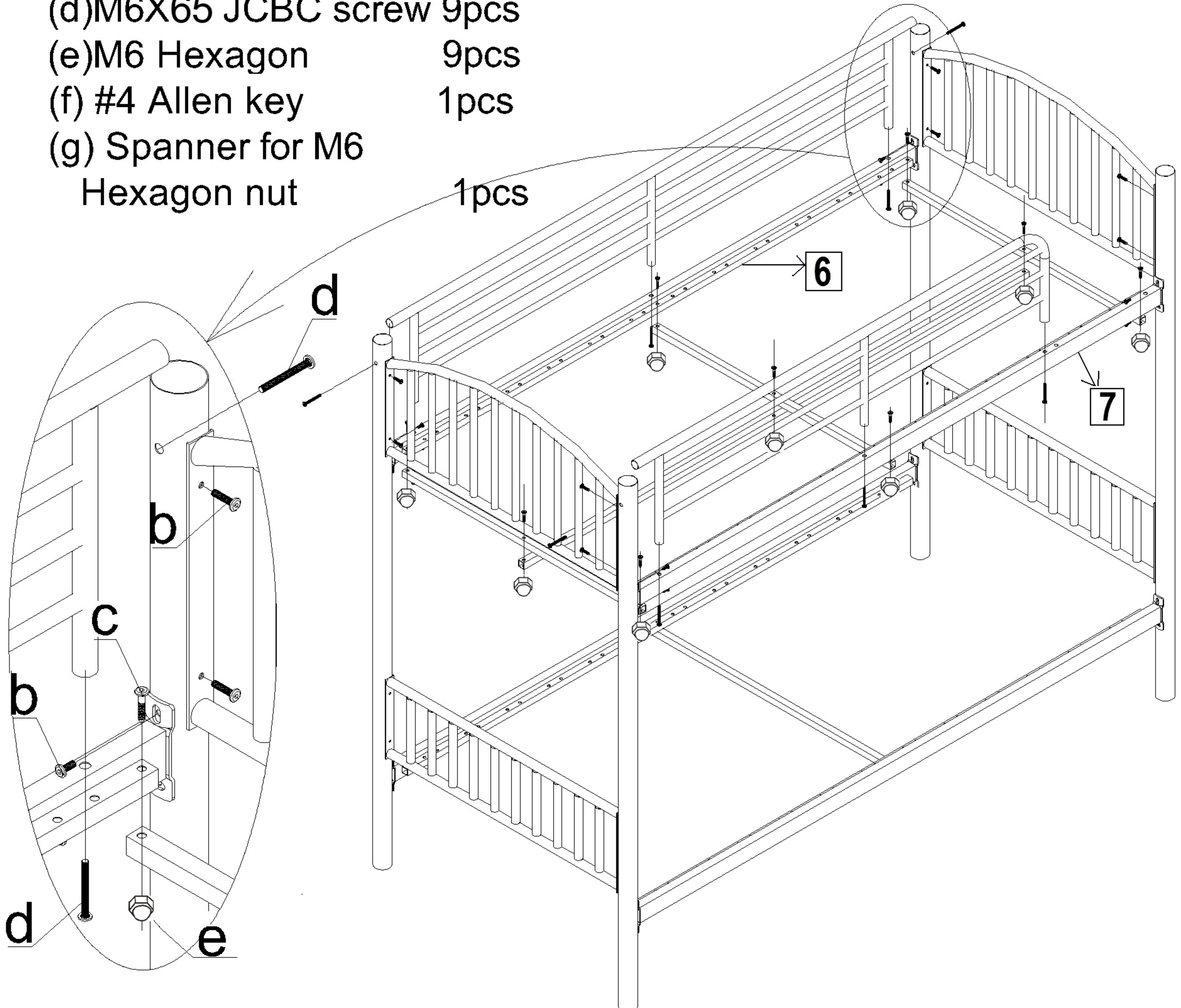
## Step 1

- (b) M6X20 JCBC screw 16pcs
  - (c) M6X45 JCBC screw 2pcs
  - (e) M6 Hexagon 2pcs
  - (f) #4 Allen key 1pcs
  - (g) Spanner for M6 Hexagon nut 1pcs



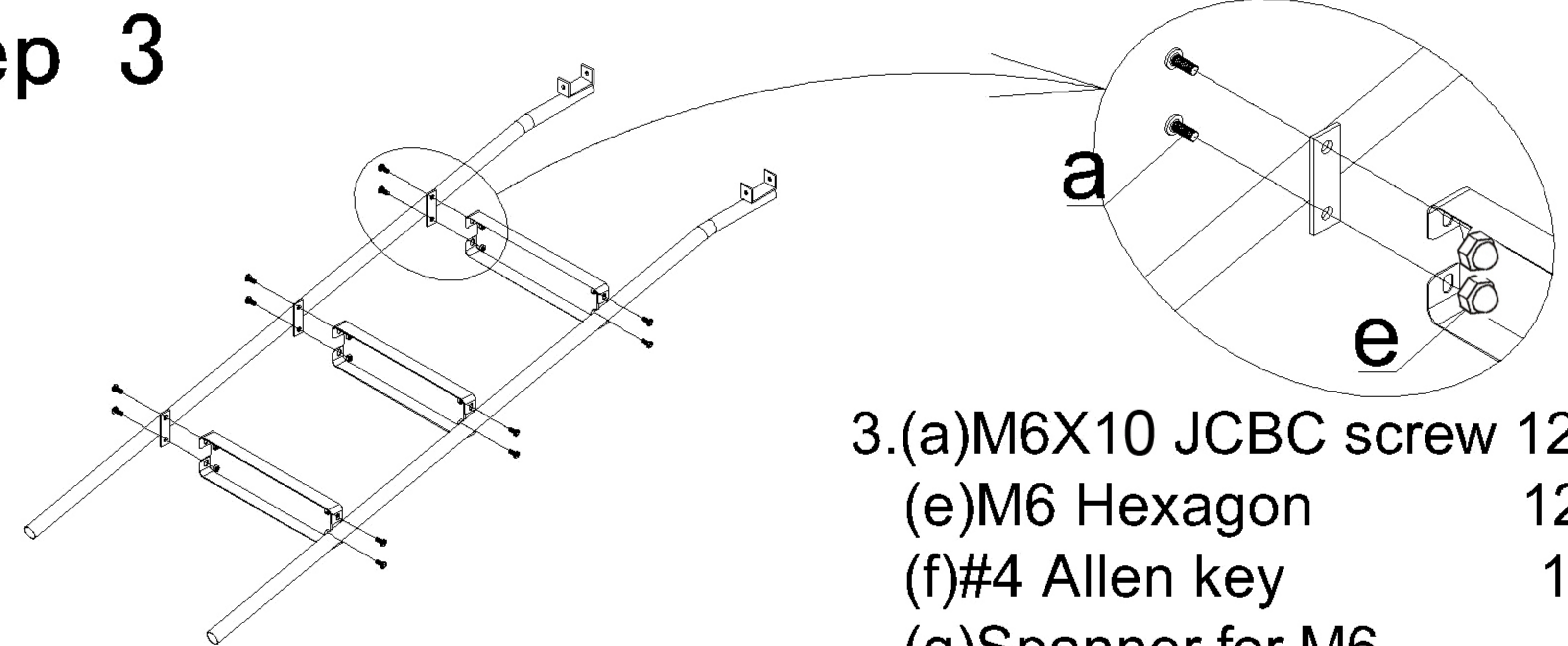
## Step 2

- (b) M6X20 JCBC screw 16pcs
  - (c) M6X45 JCBC screw 9pcs
  - (d) M6X65 JCBC screw 9pcs
  - (e) M6 Hexagon 9pcs
  - (f) #4 Allen key 1pcs
  - (g) Spanner for M6 Hexagon nut 1pcs



## Step 3

- (a) M6X10 JCBC screw 12pcs
  - (e) M6 Hexagon 12pcs
  - (f) #4 Allen key 1pcs
  - (g) Spanner for M6 Hexagon nut 1pcs

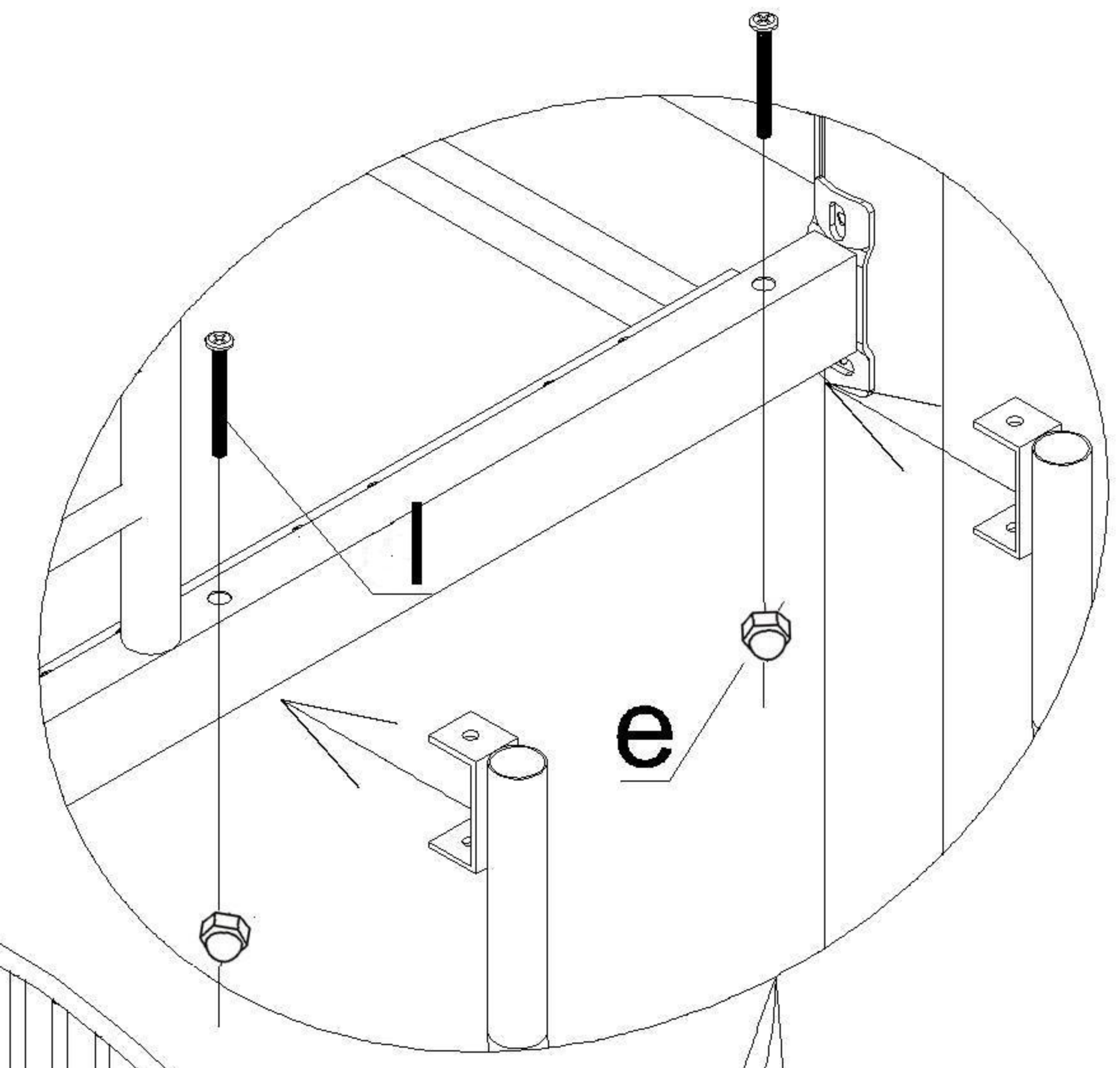




# Model:OSLO TWIN BUNK BED

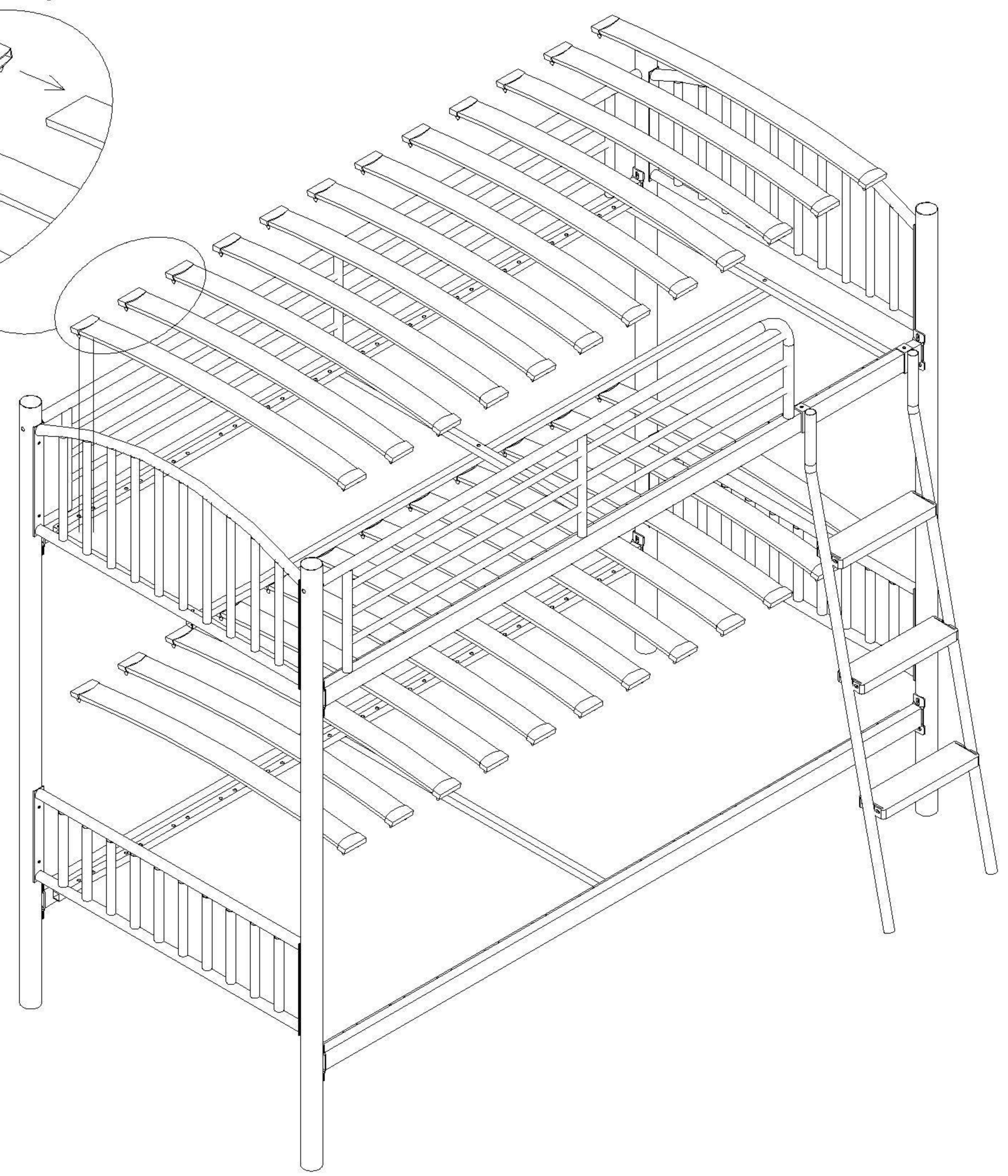
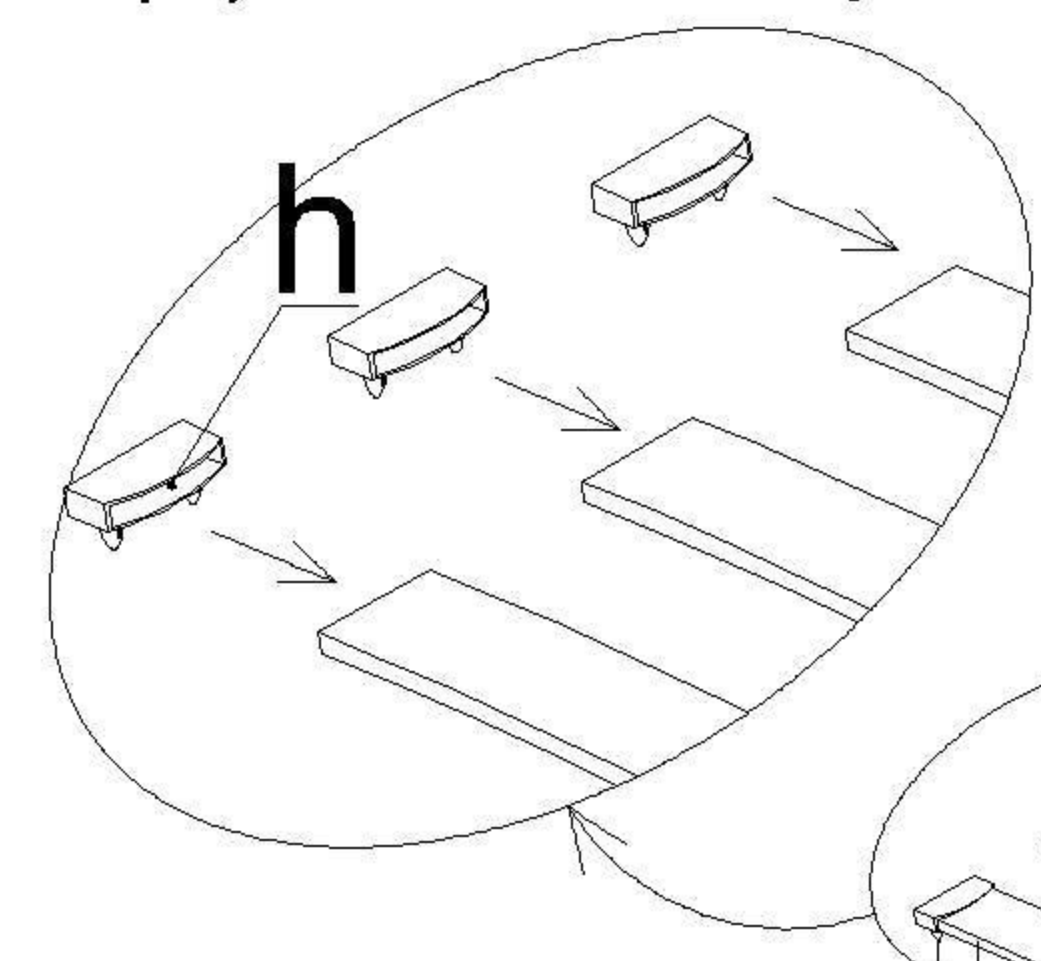
## Step 4

- 4.(l) M6X60 JCBC screw 2pcs
- (e) M6 Hexagon 2pcs
- (f) #4 Allen key 1pcs
- (g) Spanner for M6 Hexagon nut 1pcs



## Step 5

- 5.(h) Plastics 48pcs



### CARE INSTRUCTIONS

- Wipe clean using a soft damp cloth followed by a dry cloth.
- Do not use abrasives or cleaning products which may contain ammonia or solvents.
- Take care when handling or moving the furniture. Careless handling can damage furniture, try to lift rather than drag.

