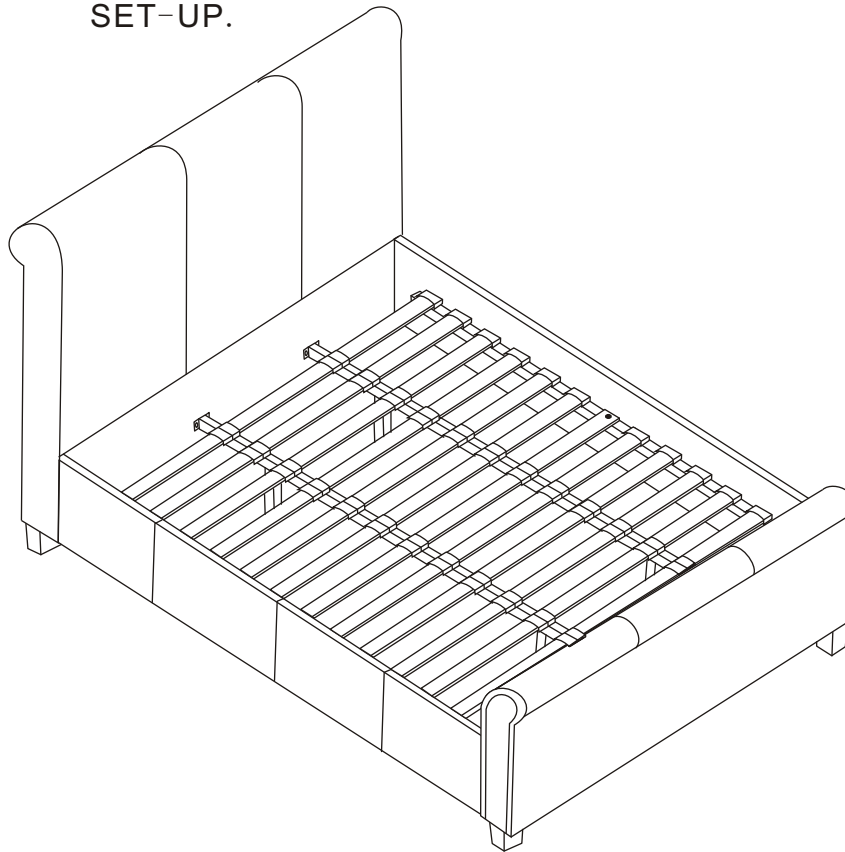


ASSEMBLY INSTRUCTION

Important

Please inspect all items carefully before assembling. If for any reason you need to return this item, you must return it in its original packaging. Assembled items cannot be returned

- IMPORTANT NOTE: *PLACE ALL PARTS ON A CLEAN AND SMOOTH SURFACE SUCH AS ARUG OR CARPET TO AVOID THE PARTS FROM BEING SCRATCHED.
*KINDLY FOLLOW THE ASSEMBLY INSTRUCTIONS STEP BY STEP.
*DO NOT TIGHTEN ALL SCREWS UNTIL THE BED IS FULLY SET-UP.



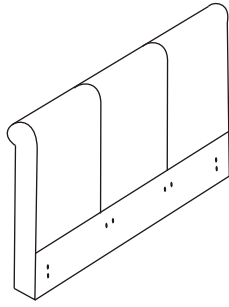
6FT SAVONA SUPER KING BED

CARE INSTRUCTIONS

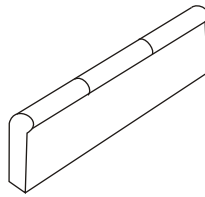
- * Wipe clean using a soft damp cloth followed by a dry cloth.
- * Do not use abrasives or cleaning products which may contain ammonia or solvents.
- * Take care when handing or moving the furniture. Careless handling can damage wooden furniture, try to lift rather than drag.

Parts list

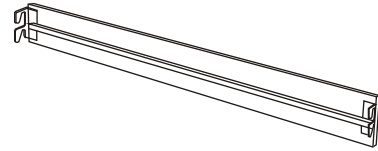
① Headboard 1pc



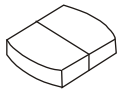
② Footboard 1pc



③ Side Rail 2pcs



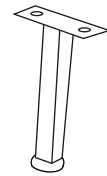
④ Double Plastic Cap 26pcs



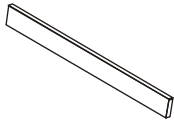
⑤ Centre Support Bar 2pcs



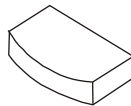
⑥ Support Leg 4pcs



⑦ Slat 39pcs



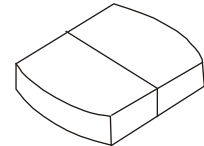
⑧ Single Plastic Cap 26pcs



⑨ Leg 4pcs



⑩ Big (80mm) Double Plastic Cap 2pcs

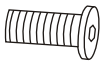


⑪ Cross Bar 1pc

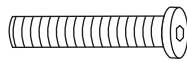


Hardware list

Ⓐ Bolt M8*30mm 16pcs



Ⓑ Bolt M8*35 8pcs



Ⓒ Nut M8*13mm 8pcs



Ⓓ Spring Washer M8 8pcs



Ⓔ Flat Washer M8 8pcs



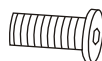
Ⓕ Allen Key M5 1pc



Ⓖ Spanner 1pc



Ⓖ Bolt M6*20mm 2pcs



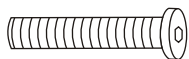
Ⓖ Flat Washer M6 2pcs



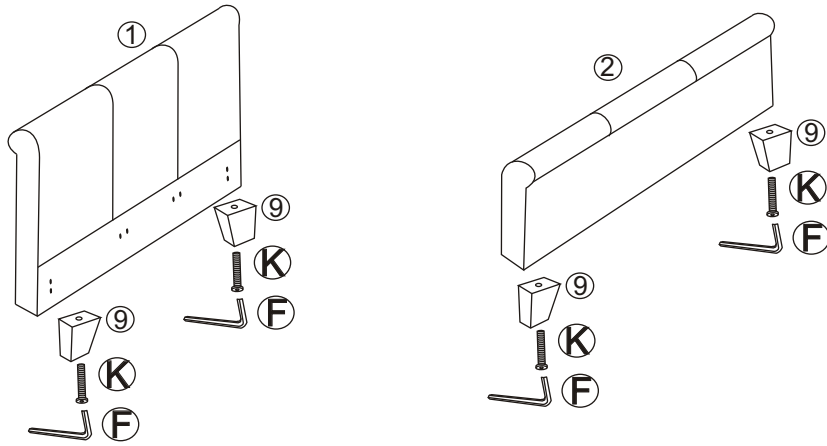
Ⓖ Allen Key M4 1pc



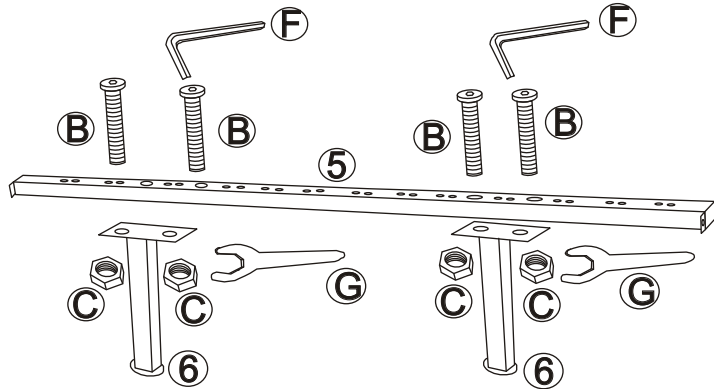
Ⓖ Bolt M8*70 4pcs



STEP 1 FIXING LEGS TO HEADBOARD AND FOOTBOARD.

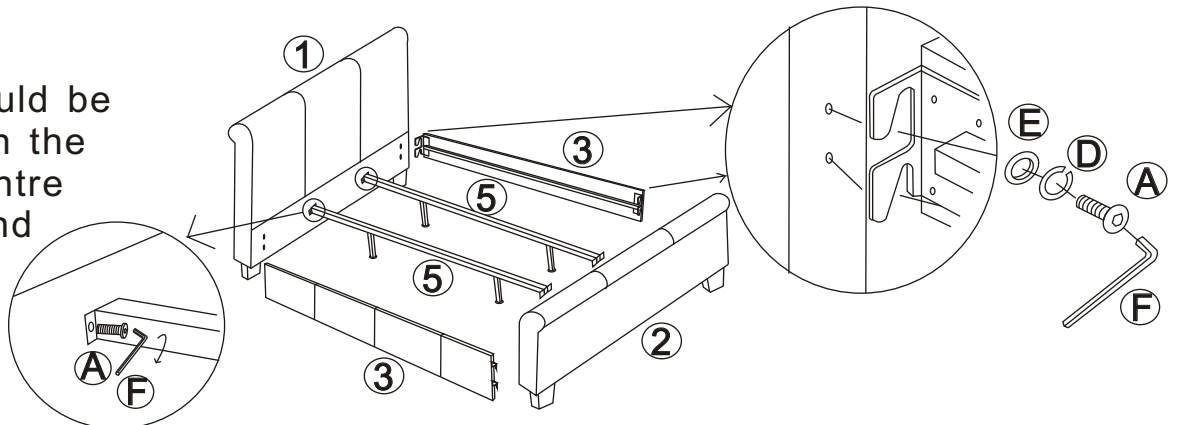


STEP 2 FIXING SUPPORT LEGS TO CENTRE SUPPORT BAR.



STEP 3 FIXING SIDE RAILS AND CENTRE SUPPORT BAR TO HEADBOARD AND FOOTBOARD.

3mm gaps should be set-up between the base of the centre support legs and the floor.



STEP 4 ONCE SLAT ASSEMBLED POSITION PEGS ON THE BASE OF CAPS INTO CORRESPONDING HOLES ON THE SIDE RAILS AND CENTRAL SUPPORT BAR. THEN CAREFULLY PRESS DOWN ON CAPS TO SECURE.

