



# Birlea

Suppliers of inspiration

Vendor: S000298



## ASSEMBLY INSTRUCTIONS PADDINGTON CABIN BED

**IMPORTANT: READ THESE INSTRUCTIONS CAREFULLY BEFORE ASSEMBLING OR USING YOUR PADDINGTON CABIN BED FRAME.**

PLEASE KEEP THESE INSTRUCTIONS FOR FUTURE REFERENCE.

### HEALTH & SAFETY:

DO NOT jump on this bed frame.

DO NOT use this bed frame if any parts are missing, damaged or worn.

DO NOT use this bed frame unless all fixings are secured.

Please keep small parts out of reach of children.

Always use on a level, even surface.

This bed is tested to European safety standard BS EN 747-1 & 2:2012+4I:2015

**WARNING:** If this bed is placed on a non-carpeted floor you must place some protection under all legs to stop the bed frame from moving. If this is not adhered to there is no guarantee if the bed frame collapses.

**WARNING:** High beds are not suitable for use by children under 6 years of age due to risk of injury from falls .

**WARNING:** Please note the area underneath the bed is to be used for storage purposes only

**WARNING:** High beds present a serious risk of injury from strangulation if used incorrectly. Never attach or hang anything on any part of the frame that is not designed to be used with the bed, for example, but not limited to ropes, strings, cords, hooks, belts and bags.

**WARNING:** Do not use the high bed if any structural part is missing or broken.

**WARNING:** Children can become trapped between the bed and adjoining structures including walls, roof pitches, ceilings and other pieces of furniture. To avoid risk of serious injury, the distance between the top safety barrier and any adjoining structure shall not exceed 75 mm or shall be more than 230 mm.

### CARE & MAINTENANCE:

Assemble in the room of use.

Assemble on a soft, clean surface.

**Please check regularly that all assembly fastening are properly tightened.**

DO NOT push the bed frame as this will damage the legs.

Always lift the bed with two people to reposition.

Keep any sharp objects away from the frame.

Use a soft, dry cloth to clean – do not use any detergents or chemicals.

Avoid contact with water and direct sunlight. **Do not place bed near heat sources, window to keep the humidity low and prevent mould in and around the bed**

### INFORMATION

- Maximum thickness of mattress 15cm. Please refer to marking on headboard.

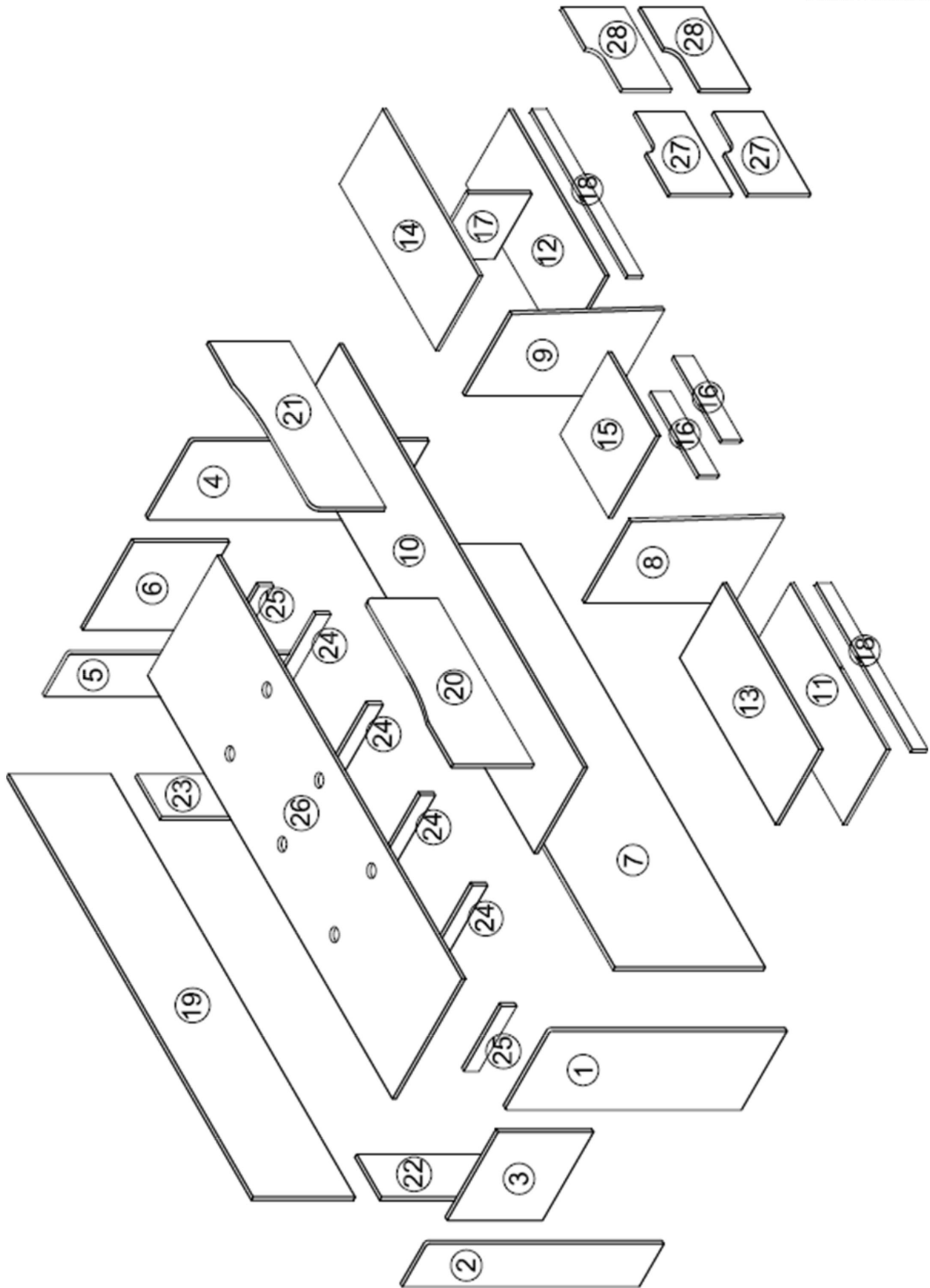
- Recommend size of mattress L192cm x W92cm x H15cm














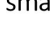
- When you are ready to start, make sure that you have the right tools, plenty of space an a clean, dry area for assembly.

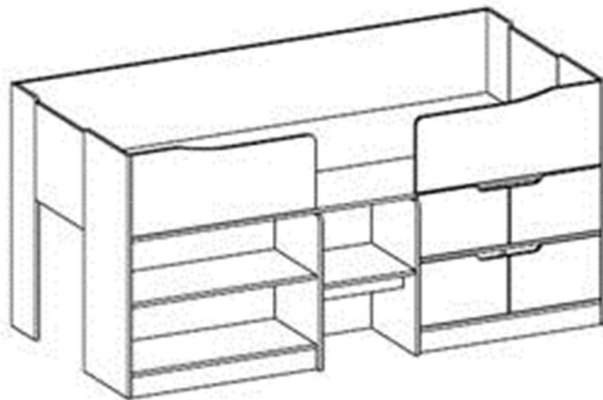
- Check the pack and make sure you have all the part listed.

- Ensure that this product is fully assembled and secured as illustrated before use.

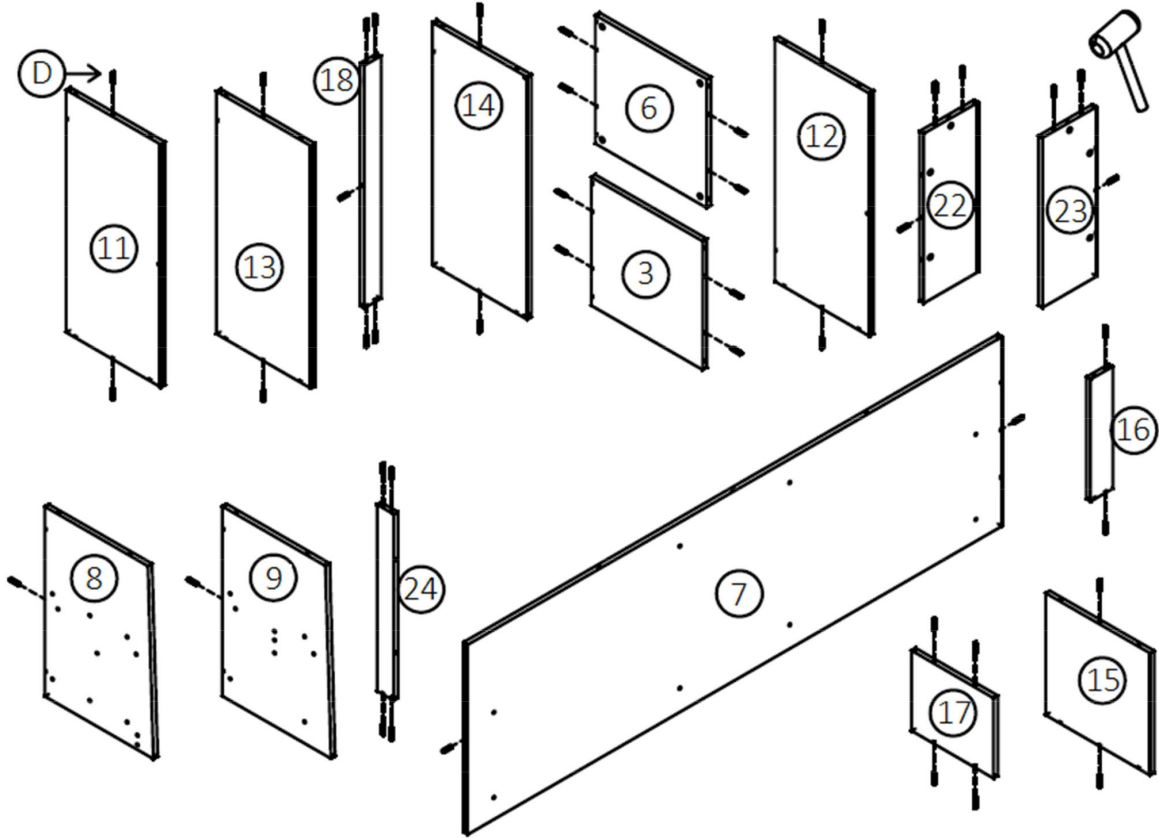
Page 1 of 11



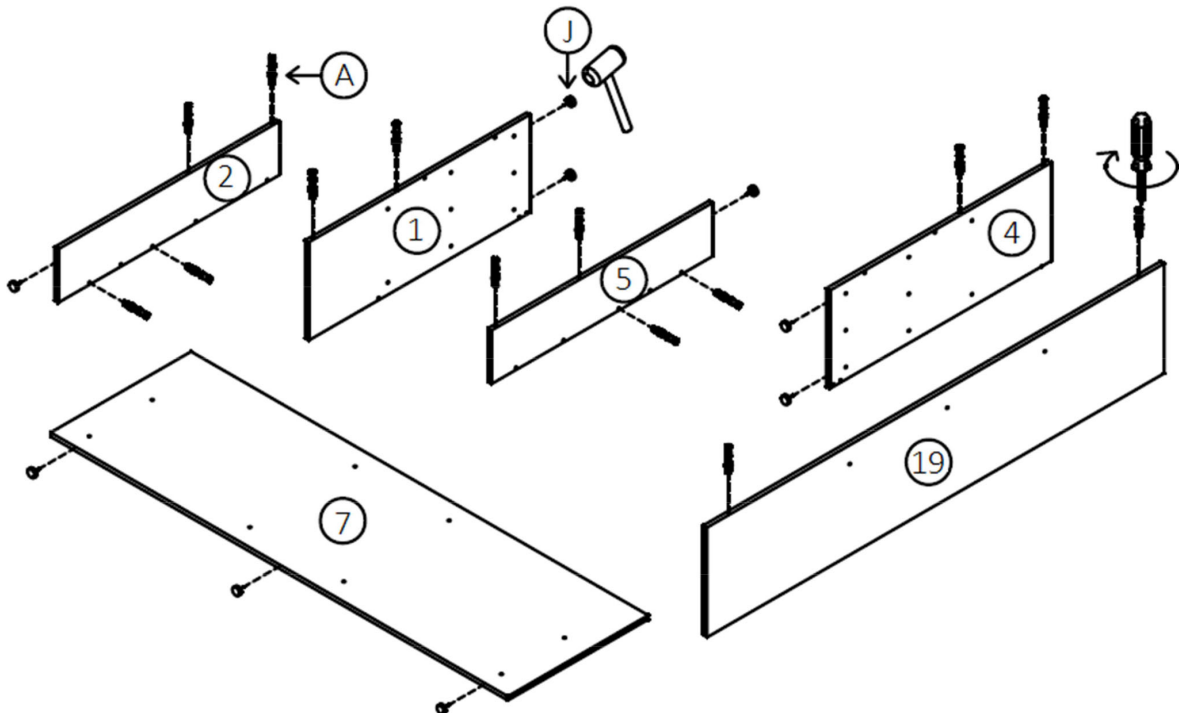
Parts List				Hardware List (found in box 3)		
Part	Description	Box	Qty	Part	Description	Qty
1	Left Front End Panel	3	1	A	Minifix 	14
2	Left Back End Panel	1	1	B	12 x 15 mm Cam Lock 	14
3	Left Centre End Panel	4	1	C	6.3 x 40 mm Screw 	82
4	Right Front End Panel	3	1	D	6 x 30 mm Wooden Dowel 	54
5	Right Back End Panel	1	1	E	4 x 25 mm CSK Screw 	4
6	Right Centre End Panel	4	1	F	Magnet 	4
7	Lower Back Panel	1	1	G	Magnet Plate 	4
8	Left Division Panel	4	1	H	3.5 x 15 mm CSK Screw 	8
9	Right Division Panel	4	1	I	8 mm Plastic Door Spring 	4 sets
10	Front Base Panel	1	1	J	3.5 x 15 mm CSK Screw 	15
11	Left Lower Shelf Panel	3	1	K	Allen Key 	1
12	Right Lower Shelf Panel	3	1	L	Round Sticker 	48
13	Left Upper Shelf Panel	3	1	M	10 x 1/2" Tapping Screw 	8
14	Right Upper Shelf Panel	3	1	N	1.6 x 26 x 120 mm L Bracket 	2
15	Centre Shelf Panel	4	1	** You will need a screwdriver and a small mallet (not provided).		
16	Centre Front Plinth	2	2			
17	Right Shelf Division Panel	4	1			
18	Side Front Plinth	3	1			
19	Upper Back Panel	2	1			
20	Left Front Panel	3	1			
21	Right Front Panel	3	1			
22	Left Back Post	4	1			
23	Right Back Post	4	1			
24	Support Plinth	2	4			
25	End Support	2	2			
26	Back Base Panel	2	1			
27	Left Door	4	2			
28	Right Door	4	2			



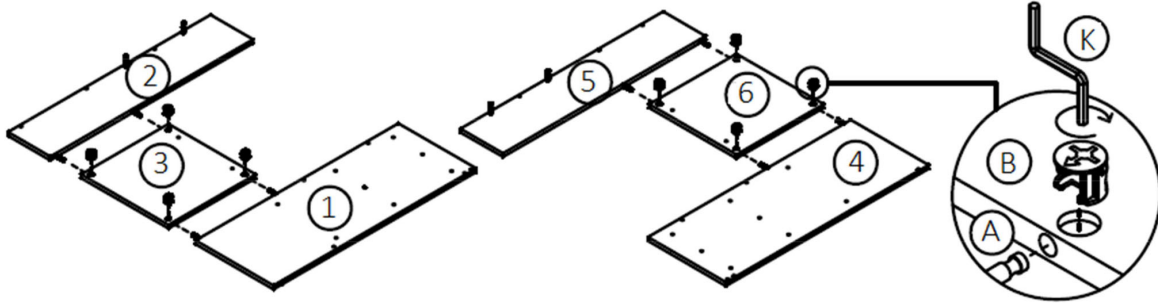
Step 1: Insert hardware part D using a small mallet (not provided)  
DO NOT use any power tools as this may damage the frame and will invalidate any claim



Step 2: Insert hardware part J using a small mallet (not provided). Insert hardware part A using a screwdriver (not provided)  
DO NOT use any power tools as this may damage the frame and will invalidate any claim

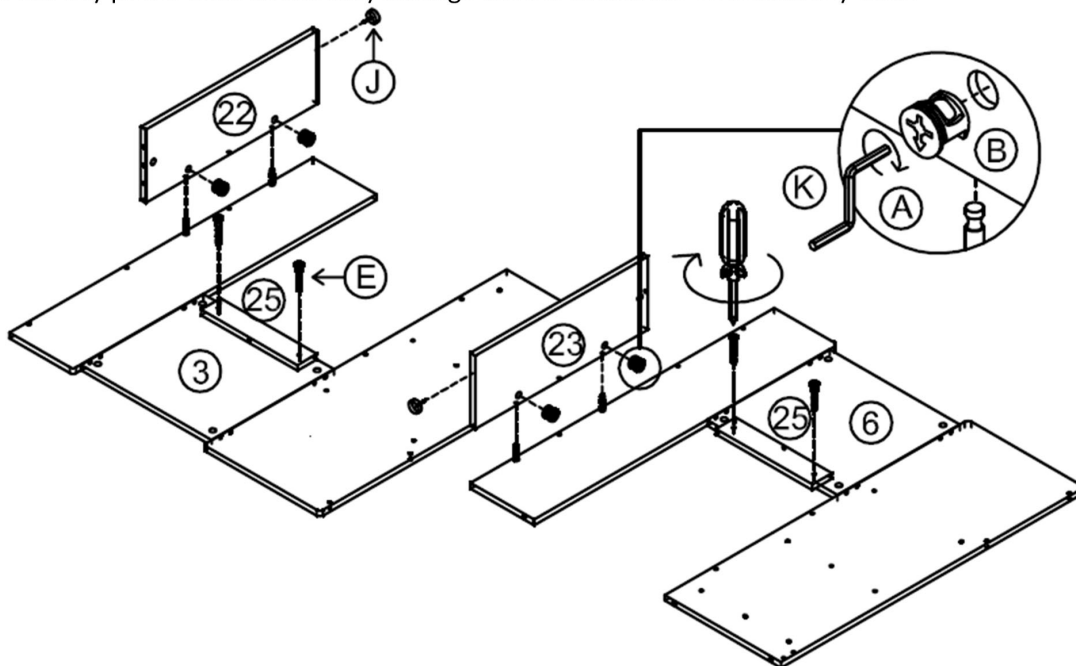


Step 3: Join the end panels together as shown using hardware parts A, B and K  
DO NOT use any power tools as this may damage the frame and will invalidate any claim



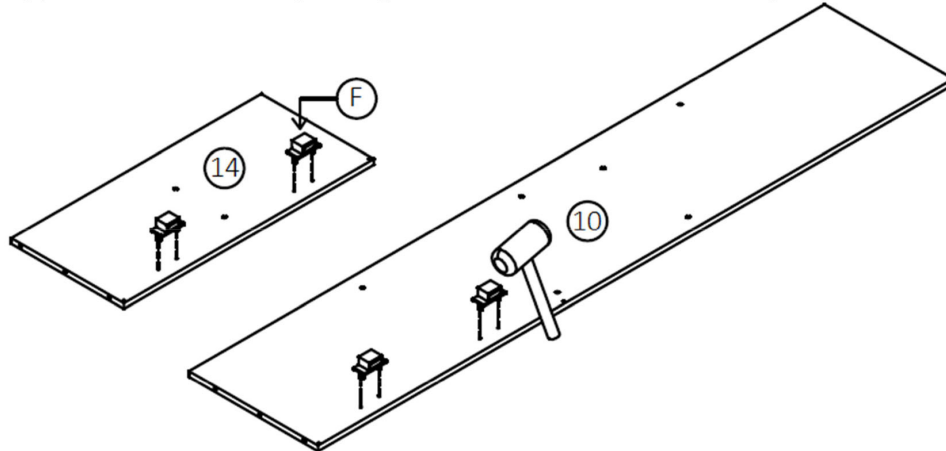
Step 4: Fix the left back post (22) to the left back end panel (2), and the end support (25) to the left centre end panel (3) using hardware parts A, B and K. Repeat for the right back post (23), right back end panel (5) and right centre end panel (6).

DO NOT use any power tools as this may damage the frame and will invalidate any claim

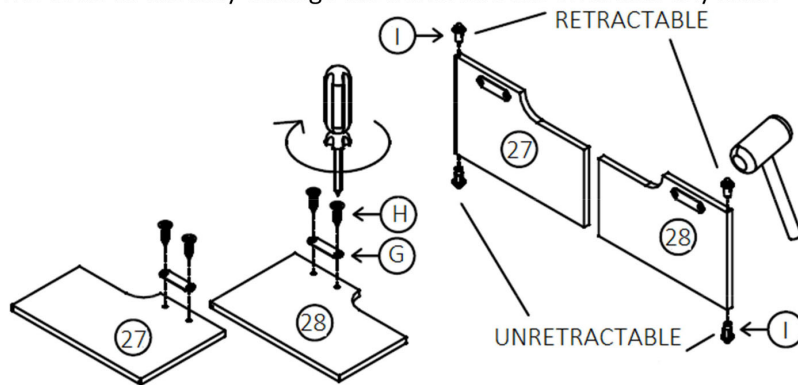


Step 5: Secure hardware part F to the front base panel (10) and right upper shelf panel (14) using a small mallet (not provided)

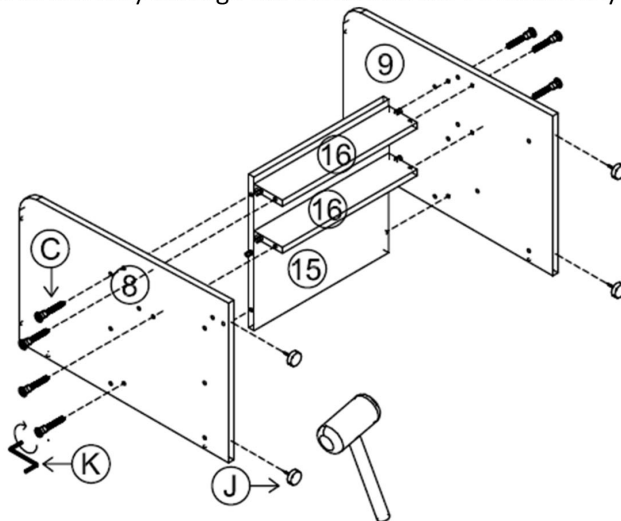
DO NOT use any power tools as this may damage the frame and will invalidate any claim



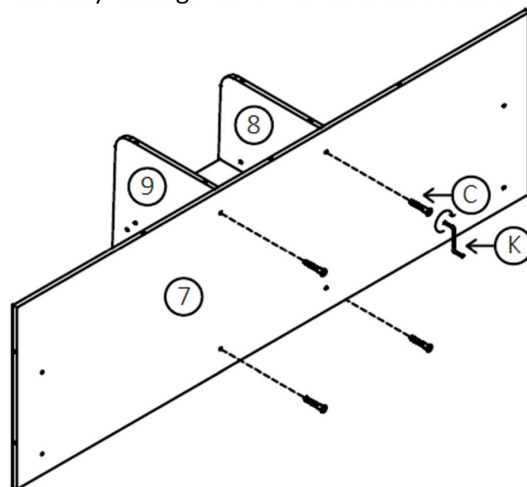
Step 6: Attach hardware part G to the left doors (27) and right doors (28) using hardware part H and a screwdriver (not provided). Insert hardware part I to the doors using a small mallet (not provided)  
DO NOT use any power tools as this may damage the frame and will invalidate any claim



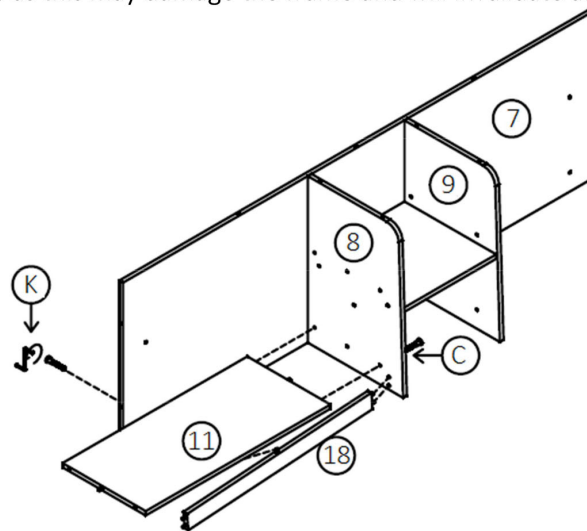
Step 7: Attach the left division panel (8) and right division panel to the centre shelf panel (15) and centre front plinths (16) using hardware parts C, J and K with a small mallet (not provided)  
DO NOT use any power tools as this may damage the frame and will invalidate any claim



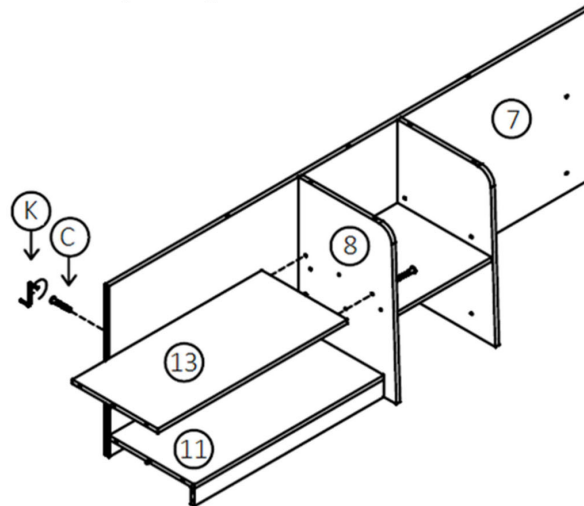
Step 8: Attach the lower back panel (7) using hardware parts C and K.  
DO NOT use any power tools as this may damage the frame and will invalidate any claim



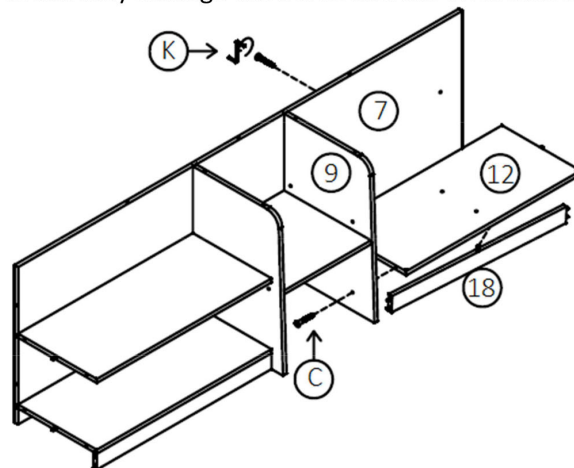
Step 9: Attach the left lower shelf panel (11) and side front plinth (18) using hardware parts C and K.  
DO NOT use any power tools as this may damage the frame and will invalidate any claim



Step 10: Attach the left upper shelf panel (13) using hardware parts C and K.  
DO NOT use any power tools as this may damage the frame and will invalidate any claim

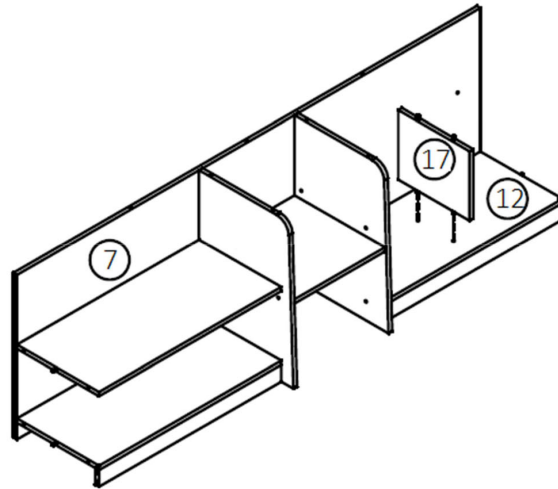


Step 11: Attach the right lower shelf panel (12) and side front plinth (18) using hardware parts C and K.  
DO NOT use any power tools as this may damage the frame and will invalidate any claim



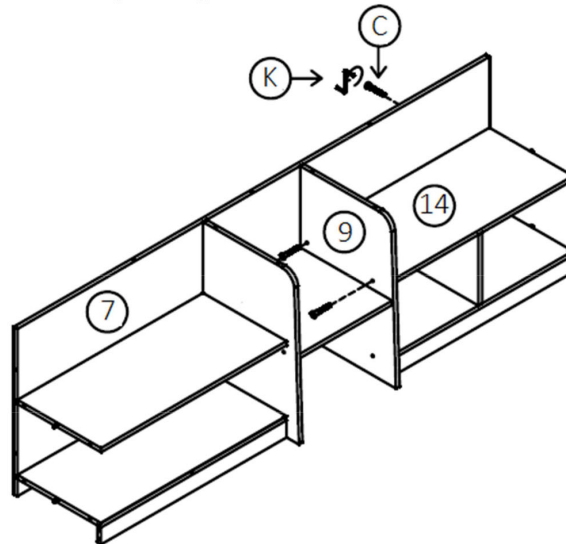
Step 12: Insert the right shelf division panel (17).

DO NOT use any power tools as this may damage the frame and will invalidate any claim



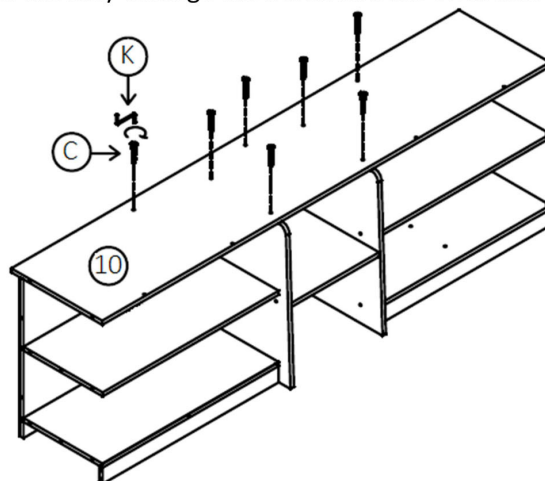
Step 13: Attach the right upper shelf panel (14) using hardware parts C and K

DO NOT use any power tools as this may damage the frame and will invalidate any claim



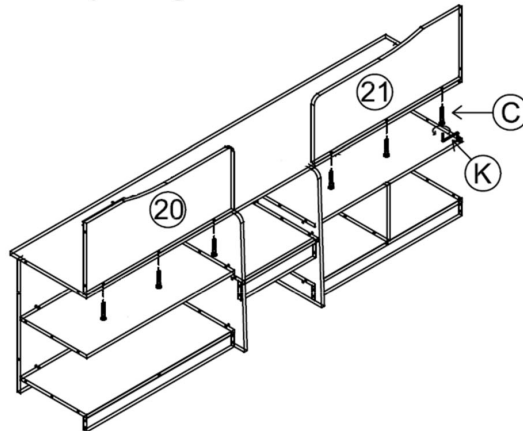
Step 14: Attach the front base panel (10) using hardware parts C and K.

DO NOT use any power tools as this may damage the frame and will invalidate any claim

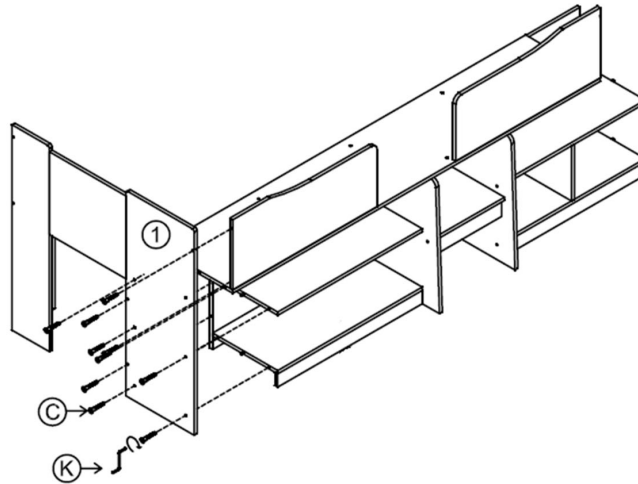




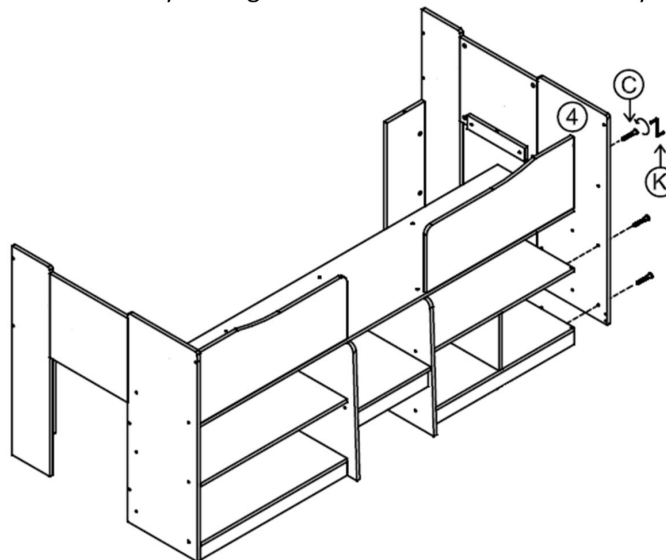
Step 15: Attach the left front panel (20) and right front panel (21) using hardware parts C and K.  
DO NOT use any power tools as this may damage the frame and will invalidate any claim



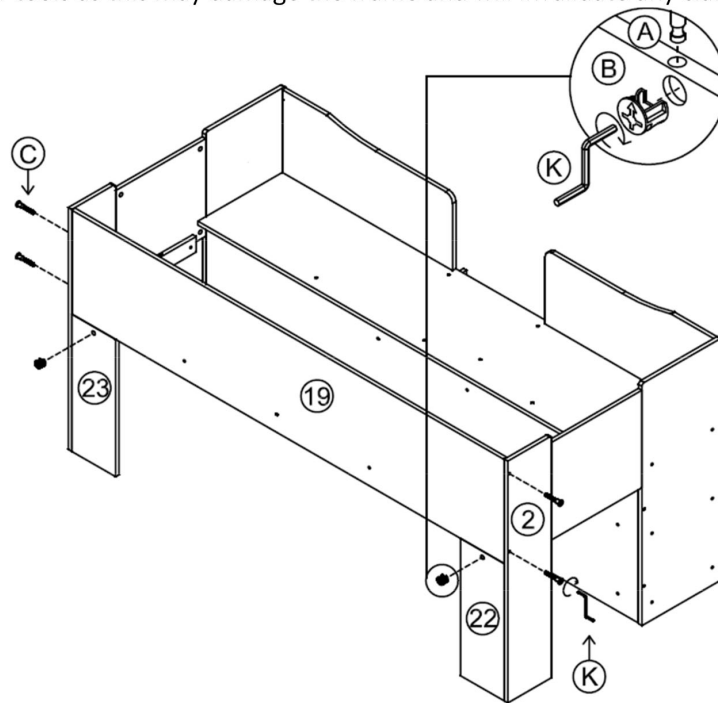
Step 16: Attach the assembled left end panel using hardware parts C and K.  
DO NOT use any power tools as this may damage the frame and will invalidate any claim



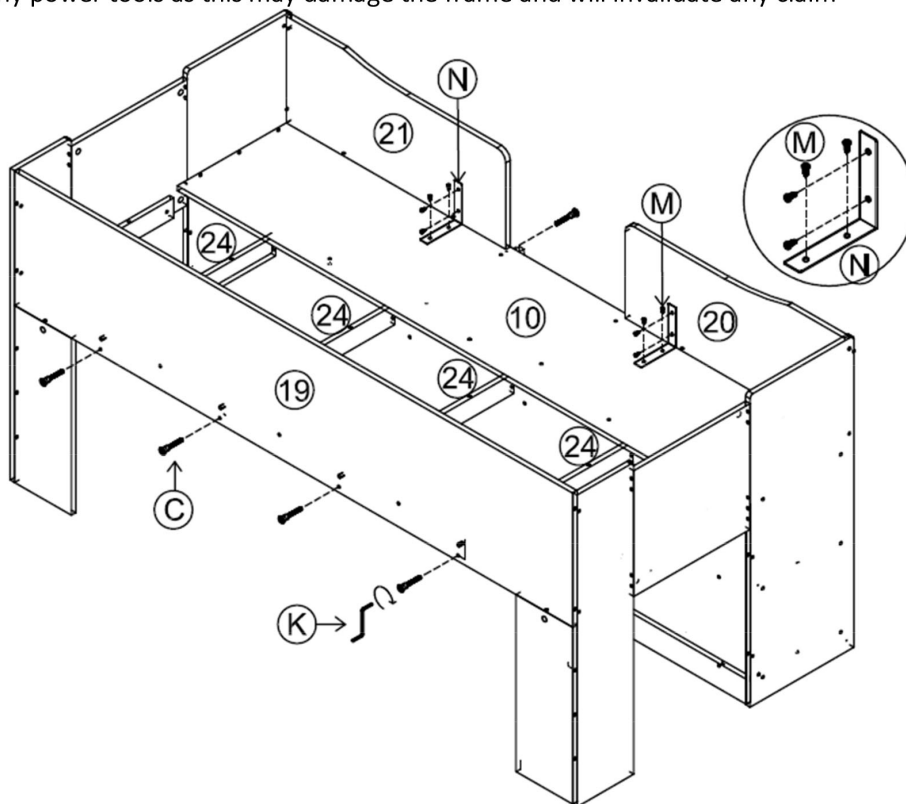
Step 17: Attach the assembled right end panel using hardware parts C and K.  
DO NOT use any power tools as this may damage the frame and will invalidate any claim



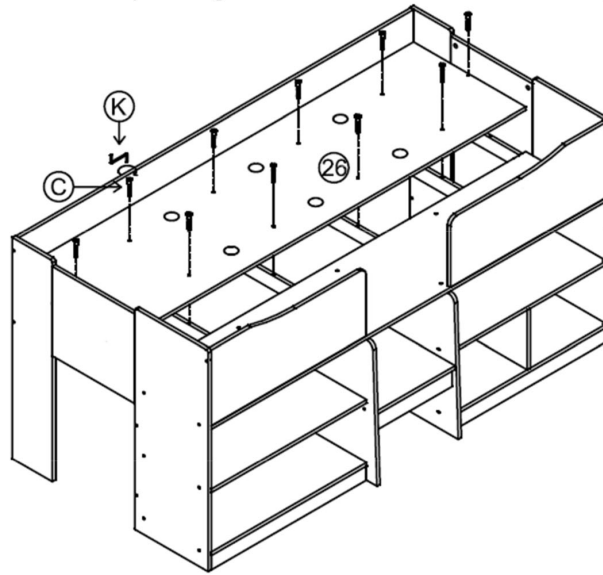
Step 18: Secure the right back post (23) and left back post (22) using hardware parts A, B, C and K.  
DO NOT use any power tools as this may damage the frame and will invalidate any claim



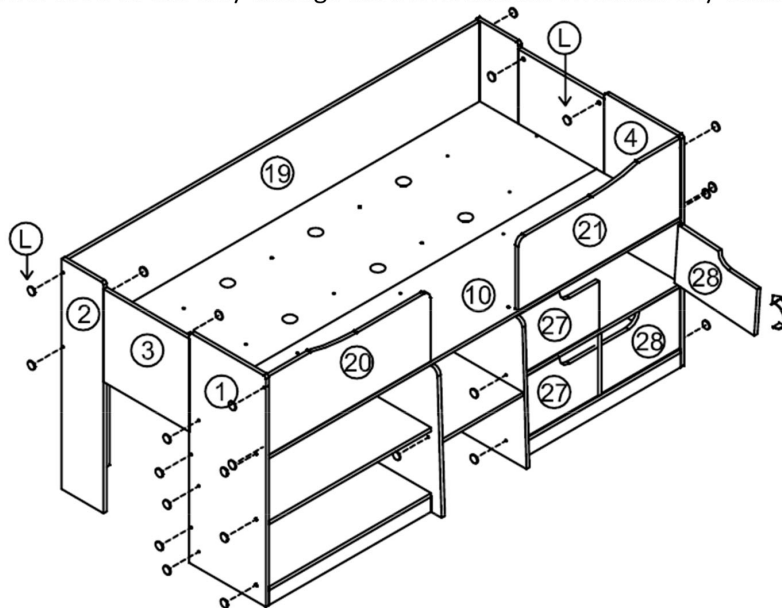
Step 19: Secure the support plinths (24) using hardware parts C and K. Attach hardware part N using hardware part M and a screwdriver (not provided).  
DO NOT use any power tools as this may damage the frame and will invalidate any claim



Step 20: Attach the back base panel (26) using hardware parts C and K.  
DO NOT use any power tools as this may damage the frame and will invalidate any claim



Step 21: Insert hardware parts L.  
DO NOT use any power tools as this may damage the frame and will invalidate any claim



### Additional Information:

- For complete product information, images and dimension diagrams please visit the website [www.birlea.com](http://www.birlea.com)
- If you have any issues with your item please contact the retailer directly you purchased it from who will be able to resolve any issues with Birlea.
- Why don't you send us photos of your assembled furniture to [info@birlea.com](mailto:info@birlea.com) to be shared in our #birleahome feature on Instagram.