



Birlea

Suppliers of inspiration

Vendor: S000159



ASSEMBLY INSTRUCTIONS

DENVER 4'6 BED

IMPORTANT: READ THESE INSTRUCTIONS CAREFULLY BEFORE ASSEMBLING OR USING YOUR DENVER 4'6 BED FRAME.

PLEASE KEEP THESE INSTRUCTIONS FOR FUTURE REFERENCE.

HEALTH & SAFETY:

DO NOT jump on this bed frame.

DO NOT use this bed frame if any parts are missing, damaged or worn.

DO NOT use this bed frame unless all fixings are secured.

Please keep small parts out of reach of children.

Always use on a level, even surface.

WARNING: If this bed is placed on a non-carpeted floor you must place some protection under all legs to stop the bed frame from moving. If this is not adhered to there is no guarantee if the bed frame collapses.

CARE & MAINTENANCE:

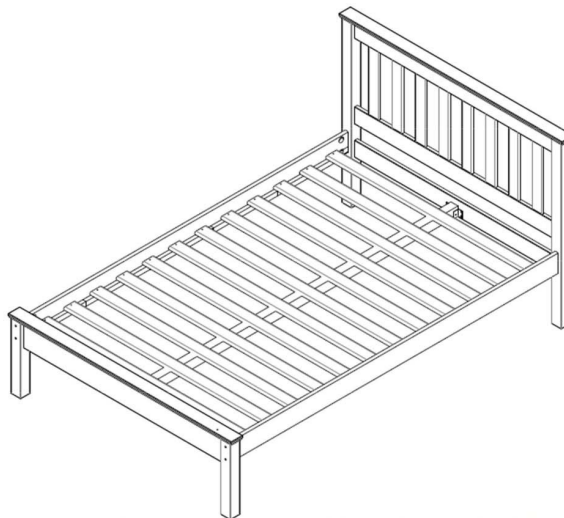
Assemble in the room of use.

Periodically check all screws & fixings to ensure they are secure.

DO NOT push the bed frame as this will damage the legs.

Always lift the bed with two people to reposition.

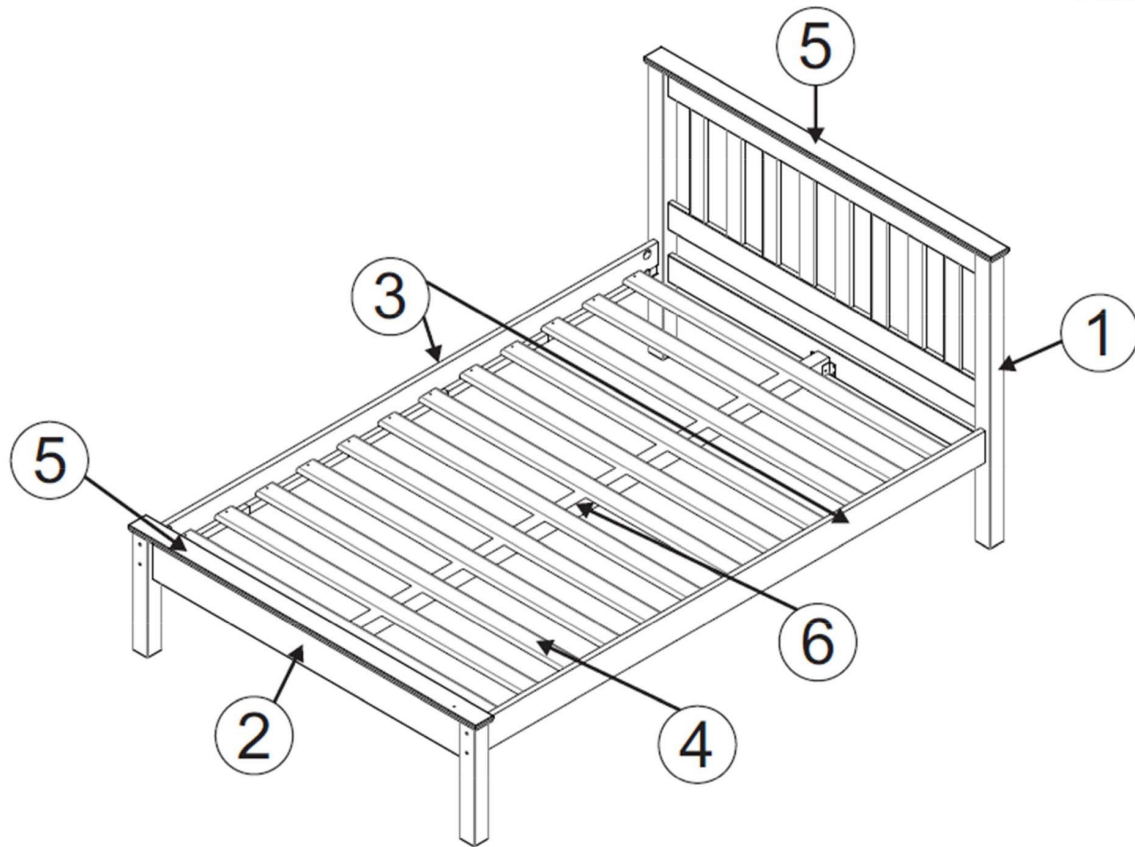
Keep any sharp objects away from the frame.


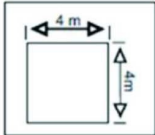
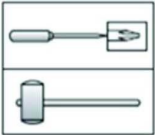
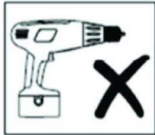






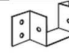



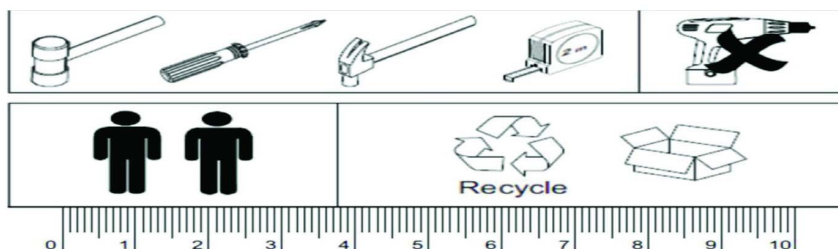
www.birlea.com

WARNING: If this bed is placed on a non-carpeted floor you must place some protection under all legs to stop

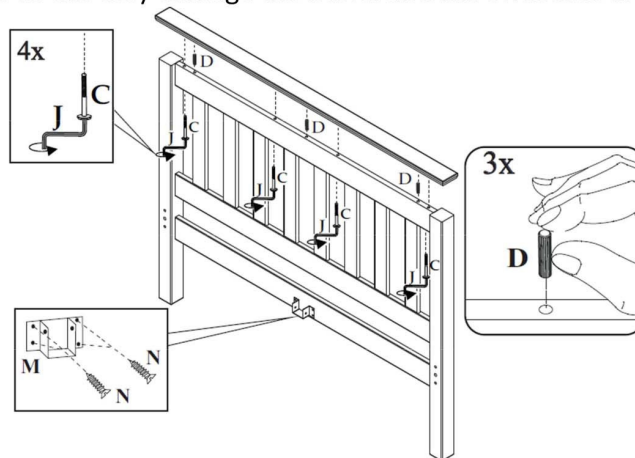
the bed frame from moving. If this is not adhered to there is no guarantee if the bed frame collapses.



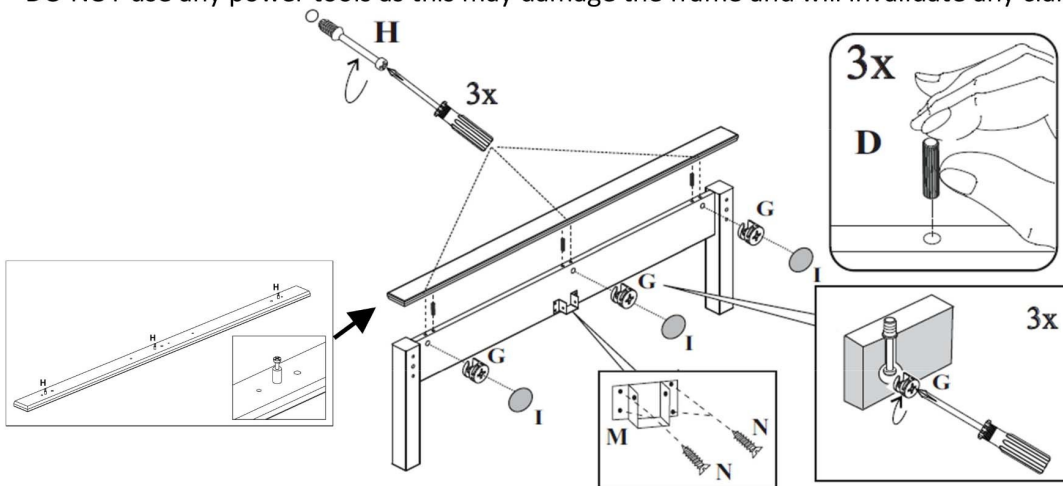
Parts List				Hardware List (found in box 1)			
Part	Description	Box	Qty	Part	Description	Qty	
1	Headend	1	1	A	¼" x 100 mm Bolt	8	
2	Footend	1	1	B	Elliptical Nut	8	
3	Side Rail	2	2	C	7 x 90 mm Bolt	4	
4	Slat	1	12	D	8 x 35 mm Wooden Dowel	6	
5	Plinth	2	2	E	10 x 50 mm Wooden Dowel	4	
6	Centre Rail	2	1	F	4 x 30 mm Screw	24	
<p>** You will need a small mallet and a screwdriver</p>    				G	Cam Lock		3
				H	Locking Bolt		3
				I	Adhesive Covers		3
				J	Allen Key		1
				K	Spacer Block		2
				L	Caps		8
				M	Bracket		2
				N	3.5 x 16 mm Screw		12



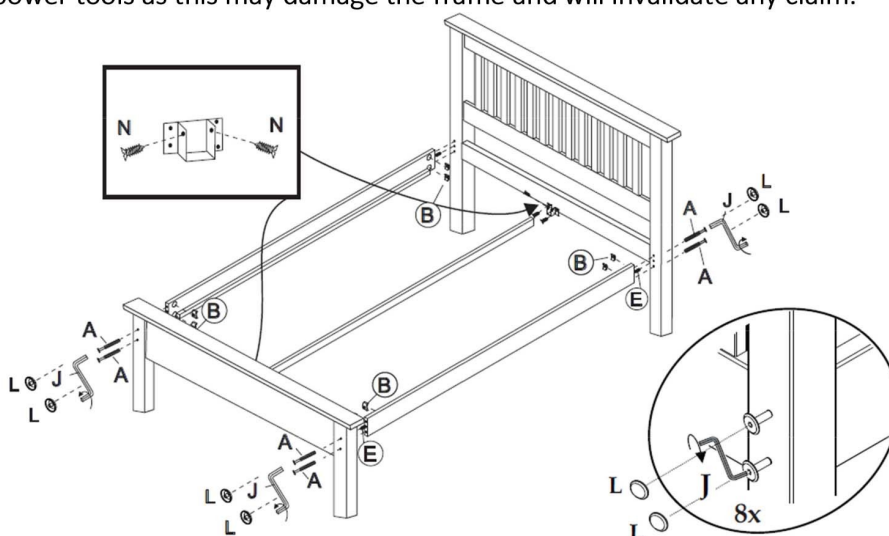
Step 1: Attach a plinth (5) to the headend (1) using hardware parts C and D and the Allen key provided, then attach hardware part M using hardware part N and a screwdriver (not provided).
DO NOT use any power tools as this may damage the frame and will invalidate any claim.



Step 2: Attach the remaining plinth (5) to the footend (2) using hardware parts D, G, H and I, then attach hardware part M using hardware part N and a screwdriver (not provided).
DO NOT use any power tools as this may damage the frame and will invalidate any claim.

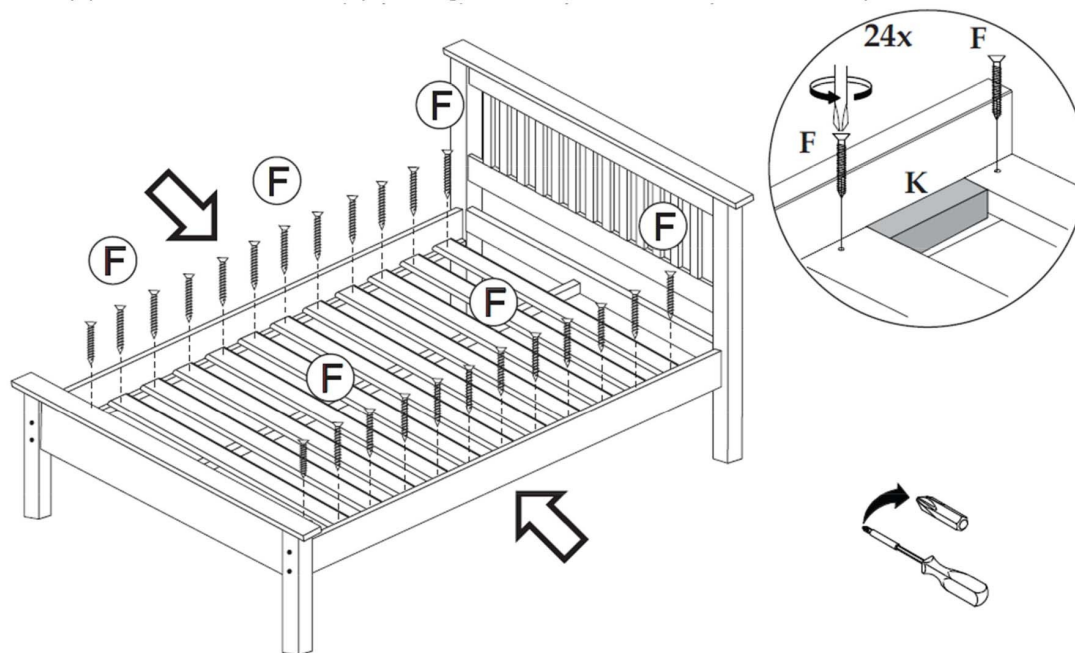


Step 3: Attach the side rails (3) to the headend (1) and footend (2) using hardware parts A, B, E and L with the Allen key provided, then fix the centre rail (6) into position using hardware part N and a screwdriver (not provided).
DO NOT use any power tools as this may damage the frame and will invalidate any claim.



Step 4: Fix the slats (4) into position whilst applying pressure to both side rails (3) using hardware parts F and K and a screwdriver (not provided).

DO NOT use any power tools as this may damage the frame and will invalidate any claim.



Additional Information:

- For complete product information, images and dimension diagrams please visit the website www.birlea.com
- If you have any issues with your item please contact the retailer directly you purchased it from who will be able to resolve any issues with Birlea.
- Why don't you send us photos of your assembled furniture to info@birlea.com to be shared in our #birleahome feature on Instagram.

