

PARIS 120cm to 150cm BED: ASSEMBLY INSTRUCTIONS

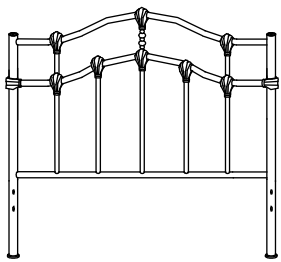


1. Please read through and follow the step-by-step instructions in the leaflet.
2. We recommend that assembly is done in the room intended for use and it is assembled by two people.
3. Please do not discard any packaging before you have checked all the parts and fittings are included.
4. Assemble this product on a flat and clean surface to avoid scratching.
5. Do not tighten any bolts before all the parts have been assembled loosely. Product and/or fittings might be damaged by over tightening screws or bolts. Beware of cross-threading the screws or nuts during assembly.
6. Keep fittings away from childrens' resch.
7. Wipe clean using soft damp cloth followed by a dry cloth.
8. Do not use abrasives or cleaning peoducts which may contain ammonia or solvents.
9. Take care when handling or moving the furniture. Careless handling can damage the flooring. try to lift rather than drag.

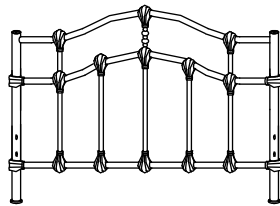
SAFETY WARNING: Do not stand on the bedbase without a mattress on it.

COMPONENT PARTS

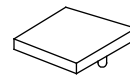
[A]-Headend



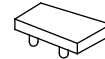
[B]-Footend



[F]-Centre Plastic Holder ×12pcs



[G]-Side Plastic Holder ×24pcs



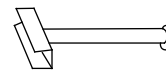
[H]-Wooden Slat ×24pcs



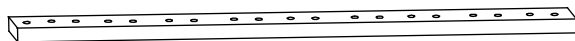
[C]-Siderail×2pcs



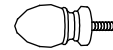
[I]-Support leg × 3pcs



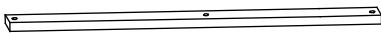
[D]-Center Rail×1pcs



[J]-BALL ×4pcs

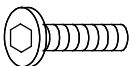


[E]-Across Bar×3pcs

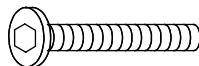


FITTINGS

[1]-M6×20mm bolts×8pcs



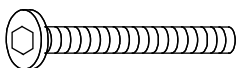
[2]-M6×50mm bolts×6pcs



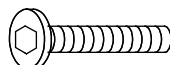
[3]-M6 Hex Nuts×14pcs



[4]-M6×55mm bolts×3pcs



[5]-M6×35mm bolts×5pcs



[6]-M6 Allen Key×1pc



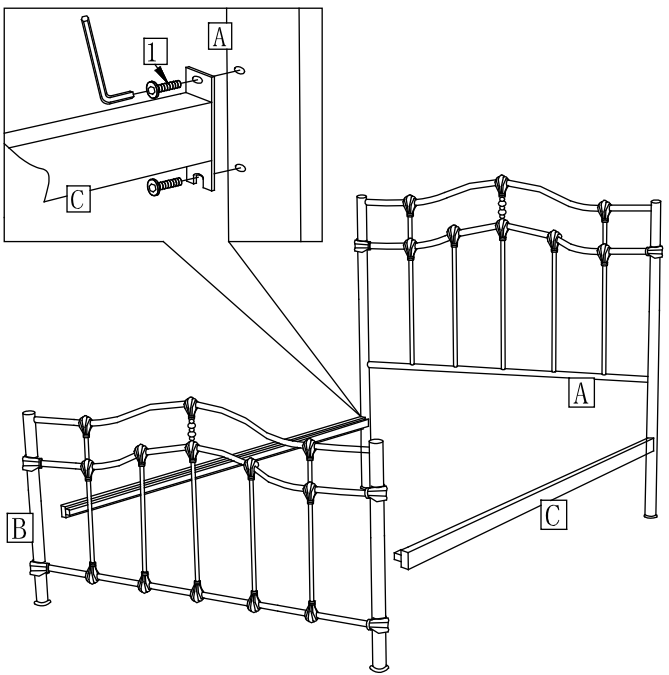
[7]-Spanner×1pcs



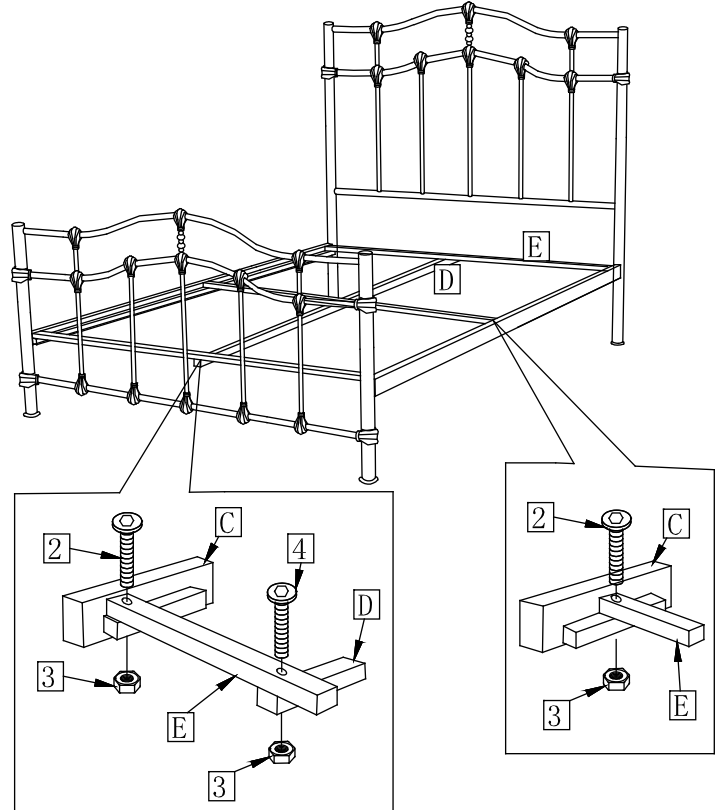
CARE INSTRUCTIONS

- Wipe clean using a soft damp cloth followed by a dry cloth.
- Do not use abrasives or cleaning products which may contain ammonia or solvents.
- Take care when handling or moving the furniture. Careless handling can damage furniture, try to lift rather than drag.

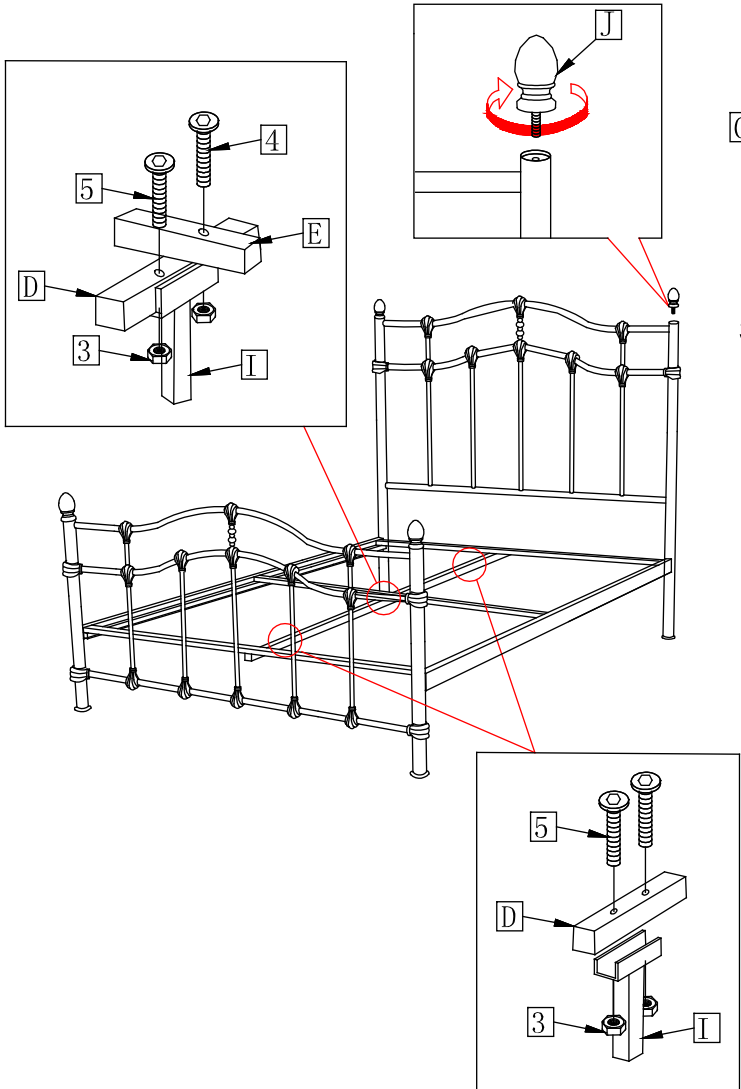
STEP1: Attach the Siderails [C] to the Headend [A] and Footend [B].



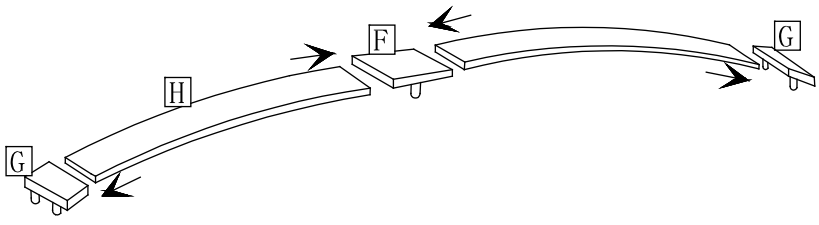
STEP2: Attach Centre Bar [D] and Cross Bars (E) to the Siderails (C) to form the bed base.



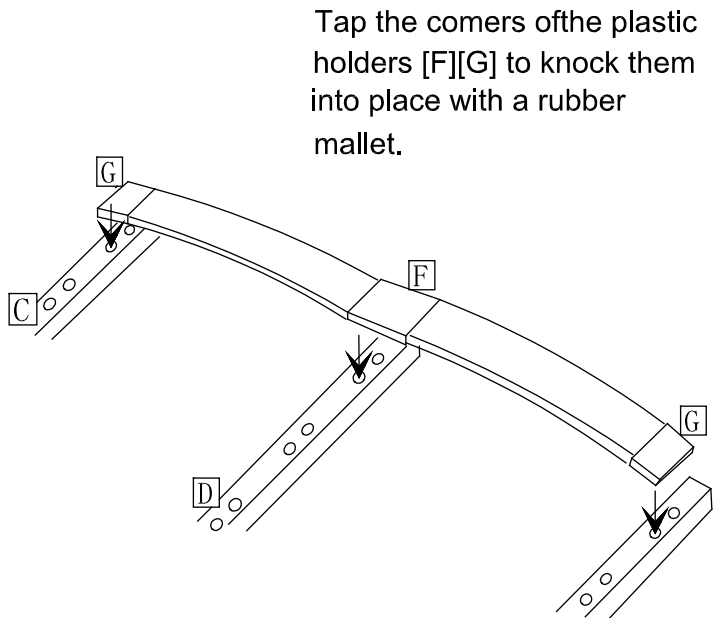
**STEP3: Fix the Support Legs [1] to the centre bar [D].
2 LEGS ON THE GAP BETWEEN 2nd SLATS AND 3rd SLATS FROM BOTH END and ONE LEG IN THE MIDDLE.**



STEP4: Insert Bend Wood Slat [H] into the Plastic Holders [F][G] as shown.



STEP5: Align the pins on the Plastic Holders [F][G] to the holes along the Centre Bar [D] and the Siderails [C]. Gently tap them into the holes.



Tap the corners of the plastic holders [F][G] to knock them into place with a rubber mallet.