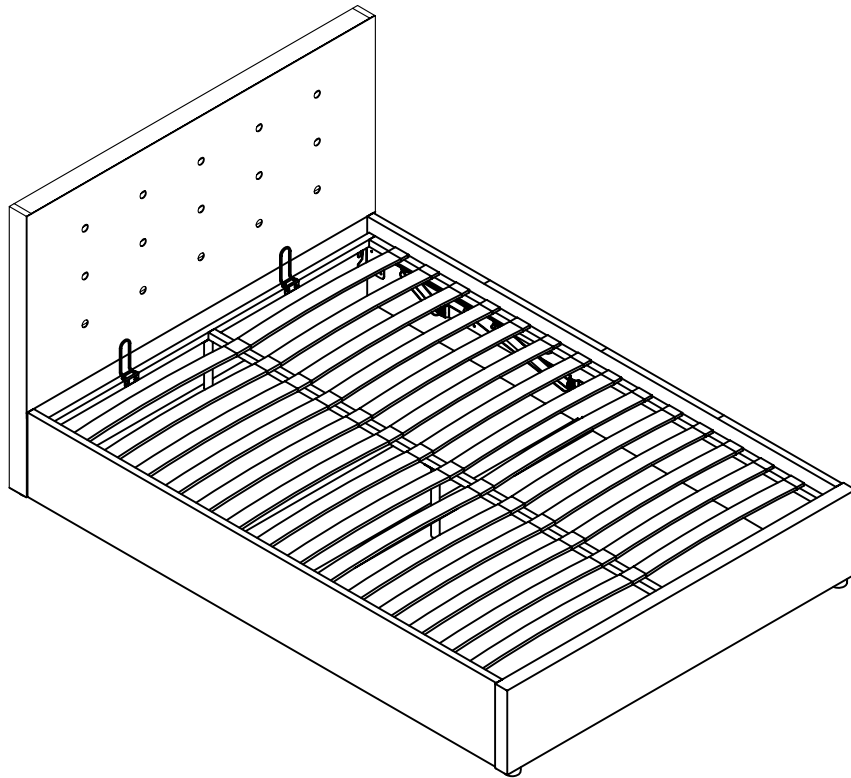


REGAL OTTOMAN BED



4ft 6 Double
5ft King

REGAL OTTOMAN BED

INFORMATION

- * IMPORTANT - READ CAREFULLY - RETAIN THESE INSTRUCTIONS FOR FUTURE REFERENCE.
- * Due to the size of this product we recommend that it is assembled in the room intended for use.
- * When you are ready to start, make sure that you have the right tools, plenty of space and a clean, dry area for assembly.
- * Unwrap all packaging materials and place the components on top of the carton box or on a clean floor to prevent it from scratching.
- * Check the pack and make sure you have all the parts listed.
- * Ensure that this product is fully assembled and secured as illustrated before use.
- * Check all screws or bolts are tightened and inspect regularly.
- * This product should only be used on firm, level ground.
- * Keep small parts out of reach of children.
- * Make sure the legs remain in contact with the ground.
- * Recommend size of mattress XXX
- * Please dismantle for transportation
- * Tools not included.

WARNINGS

- * This product is intended for a maximum person's weight of 100kg per side. Do not exceed this weight.
- * Do not use power tools to construct this product.
- * Do not tighten screws until fully assembled.
- * Do not over tighten screws or bolts.
- * Do not use this product if parts are missing, damaged or worn.
- * Do not stand on the product.
- * Please pay particular attention when children or animals are present to ensure that no accidental entrapment occurs whilst operating this product

CARE INFORMATION

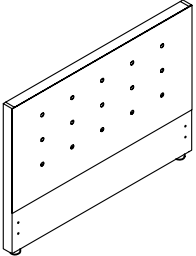
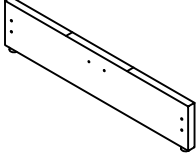
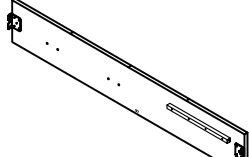
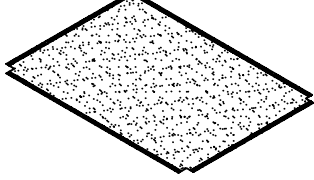
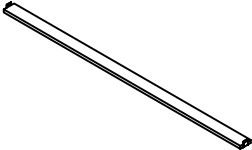
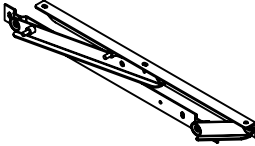
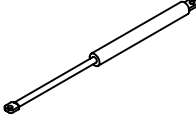
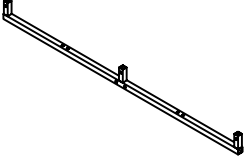
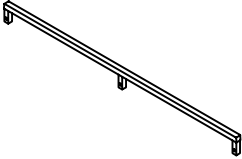
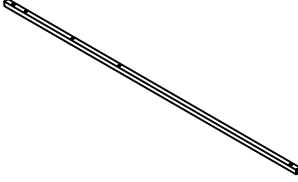
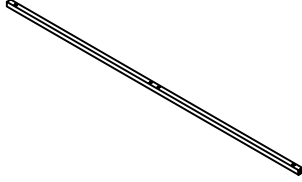
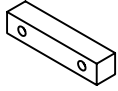
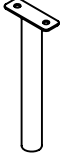

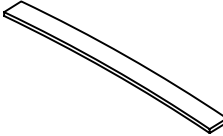



- * Never use scourers, abrasives or chemical cleaners.
- * To clean wipe with a sponge and warm soapy water. Do not use solvent based cleaners or detergents as they can bleach or damage the product.

Symbols






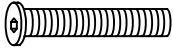
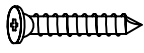








REGAL OTTOMAN BED

Parts

<p>① 1PC-Headboard</p> 	<p>② 1PC-Footboard</p> 	<p>③ 2PCS-Side Rail With Lift Up Mechanism Headboard end Footboard end</p> 	<p>④ 1PC-Non-Woven Fabric</p> 
<p>⑤ 1PC-Support rail</p> 	<p>⑥ 2PCS-Hinge</p> 	<p>⑦ 2PCS-Gas strut</p> 	<p>⑧ 1PC-Front frame rail</p> 
<p>⑨ 1PC-Back frame rail</p> 	<p>⑩ 2PCS-Side rail</p> 	<p>⑪ 1PC-Centre rail</p> 	<p>⑫ 1PC-Base support</p> 
<p>⑬ 2PCS-Long leg</p> 	<p>⑭ 2PCS-Mattress Support</p> 	<p>⑮ Slats 4'4'6':26PCS 5':30PCS</p> 	<p>⑯ Centre slat caps 4'4'6':13PCS 5':15PCS</p> 
<p>⑰ Side slat caps 4'4'6':26PCS 5':30PCS</p> 	<p>⑱ 1PC-Belt</p> 		

REGAL OTTOMAN BED

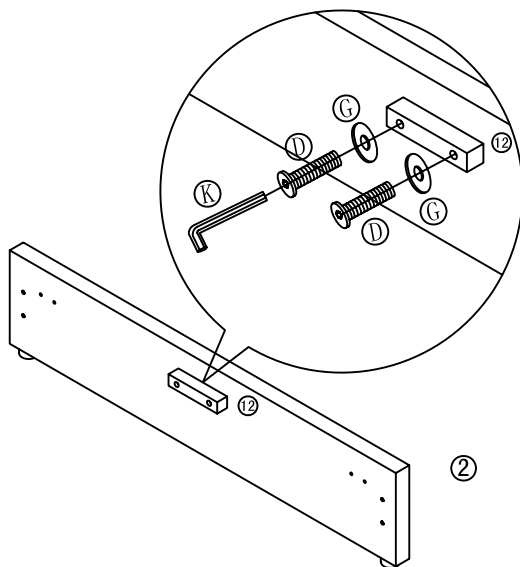
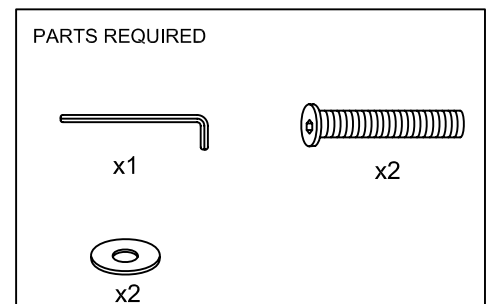
FIXINGS

<p>(A) 8PCS-Bolt M8*40mm</p> 	<p>(B) 6PCS-Bolt M6*15mm</p> 	<p>(C) 30PCS-Bolt M6*12mm</p> 
<p>(D) 2PCS-Bolt M6*55mm</p> 	<p>(E) 4PCS-Screw M4*20mm</p> 	<p>(F) 8PCS-Flat Washer</p> 
<p>(G) 16PCS-Flat Washer</p> 	<p>(H) 8PCS-Spring Washer</p> 	<p>(I) 4PCS-NUT</p> 
<p>(J) 1PC-Allen Key 5mm</p> 	<p>(K) 1PC-Allen Key 4mm</p> 	<p>(L) 1PC-Spanner</p> 
<p>(M) 1PC-Screw Driver</p>  <p>Not Provided</p>		

REGAL OTTOMAN BED

Step 1:

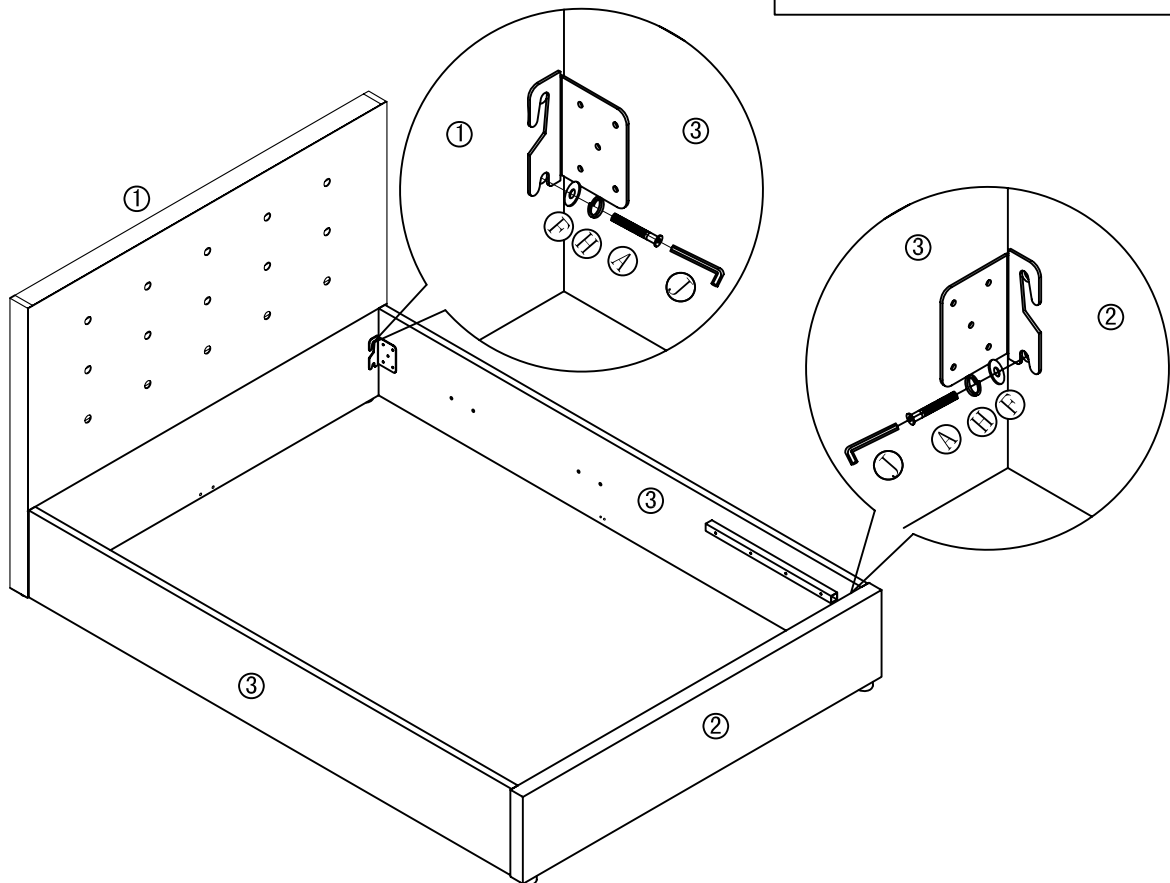
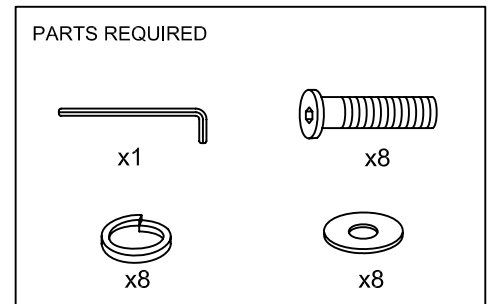
Fix the base support(12) to the footboard(2) using bolts(D) and washers(G) as shown. Tighten the bolts using the allen key(K).



REGAL OTTOMAN BED

Step 2:

Fix the siderails(3) to the headboard(1) and footboard(2) using(F),(H) and(A) as shown,
Tighten the bolts using the allen key(J).



REGAL OTTOMAN BED

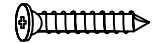
Step 3:

Attach the support rails(5) to the side rails(3) using screws(E) as shown.

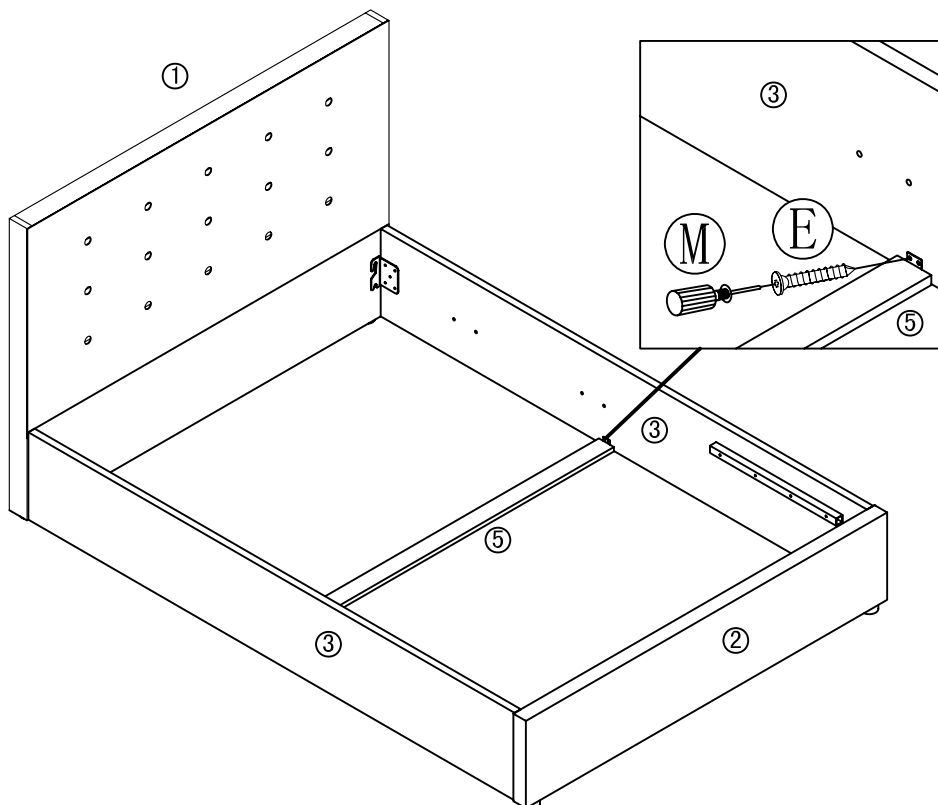
PARTS REQUIRED



x1



x4



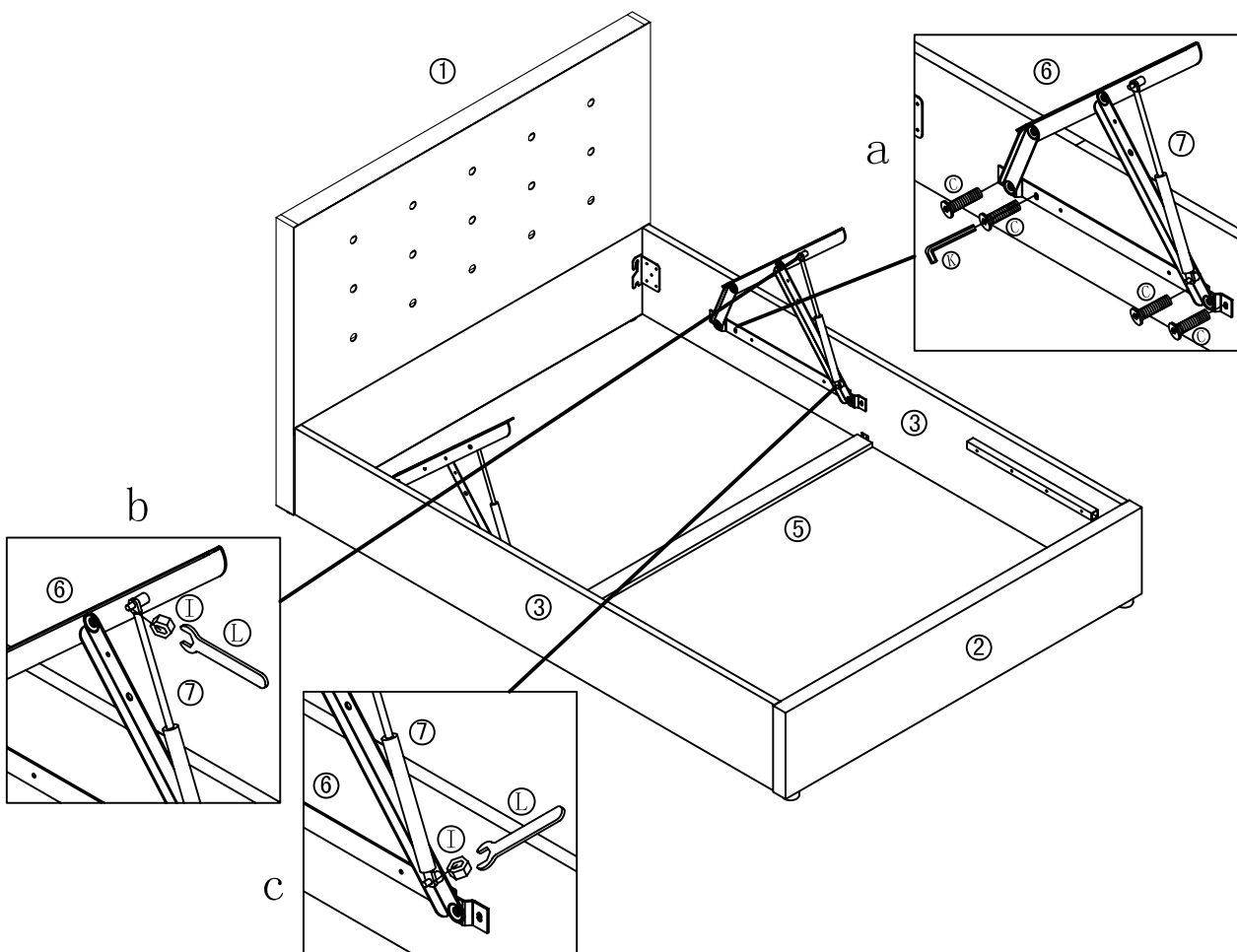
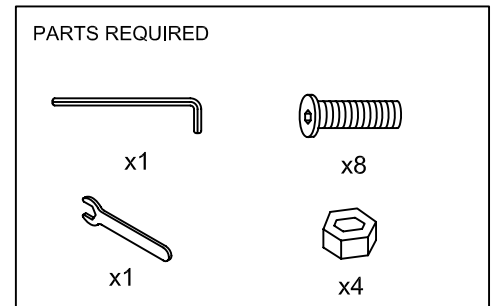
REGAL OTTOMAN BED

Step 4:

a: Attach the hinges(6) to the side rails(3) using bolts(C) as shown.

b: Attach the gas struts(7) to the hinges(6), Insert the nut(I) to the top of the hinge(6) using the spanner(L) as shown.

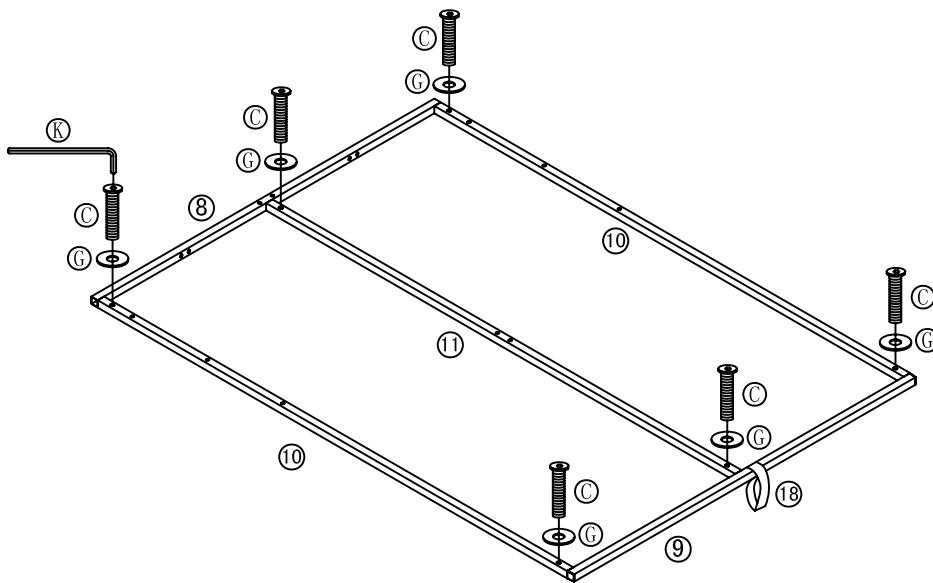
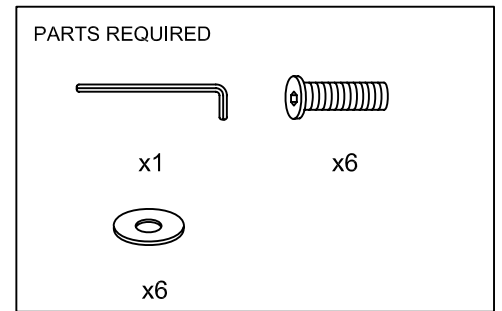
c: Insert the nut(I) to the bottom of the hinge(6) using the spanner(L) as shown.



REGAL OTTOMAN BED

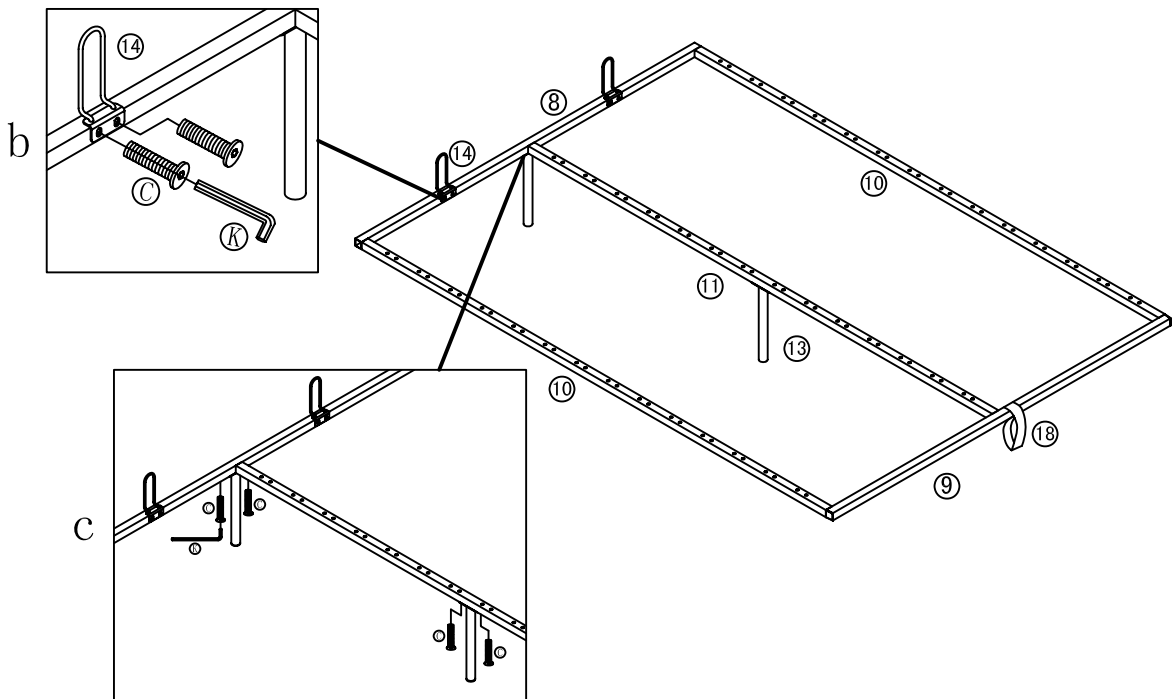
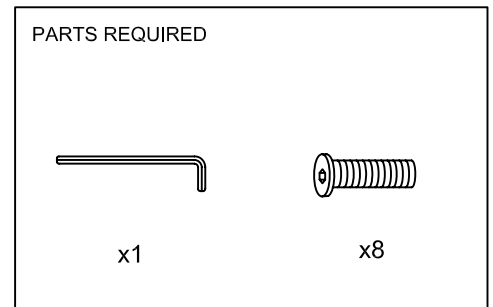
Step5:

a: Attach the belt(18) to the back frame rail(9). Connect the side rails(10), front frame rail(8), back frame rail(9), and centre rail(11) using bolts(C) and washers(G) as shown.



REGAL OTTOMAN BED

- b: Connect the mattress supports(14) to front frame rail(8) using bolts(C) as shown.
- c: Attach the long legs(13) to the underside of the frame using bolts(C) as shown.

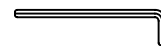


REGAL OTTOMAN BED

Step6:

Attach the assembled frame to the hinges(6) as shown, by inserting bolts(B) through the upper arm of the hinge(6) and into the side rails(10).

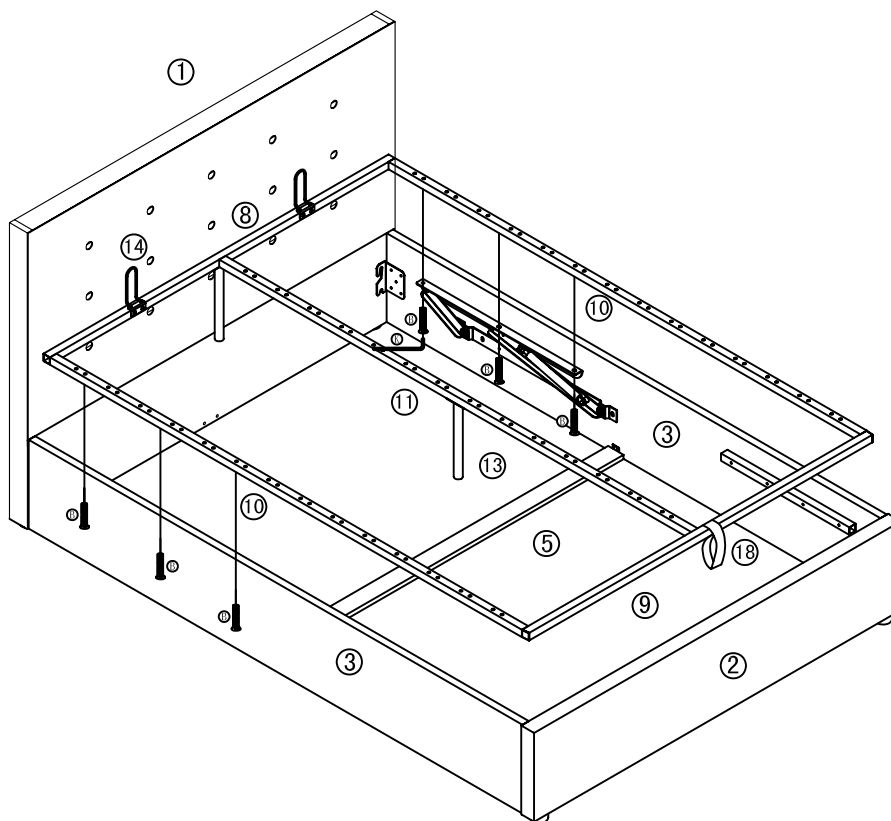
PARTS REQUIRED



x1



x6



REGAL OTTOMAN BED

Step 7:

- a: Slot the slats(15) into the side slat caps(17) and the centre slat caps(16) as shown.
b: Attach the slats to the assembled frame by firmly pushing into place.

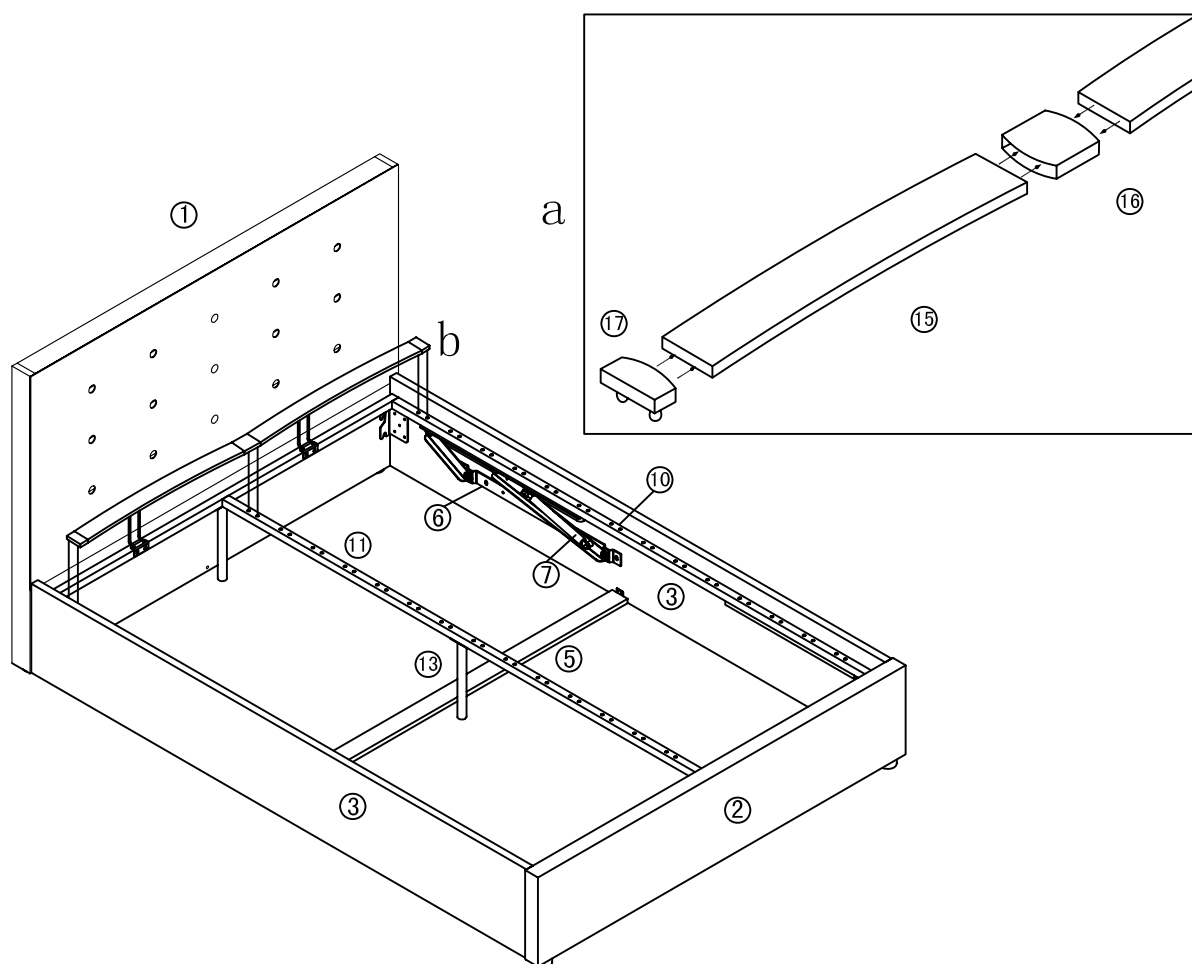
PARTS REQUIRED



4'4'6:26
5' :30



4'4'6:13
5' :15



REGAL OTTOMAN BED

Step 8:

Place non-woven fabric(4) on the bottom of the bed as shown.

