

ASSEMBLY INSTRUCTIONS

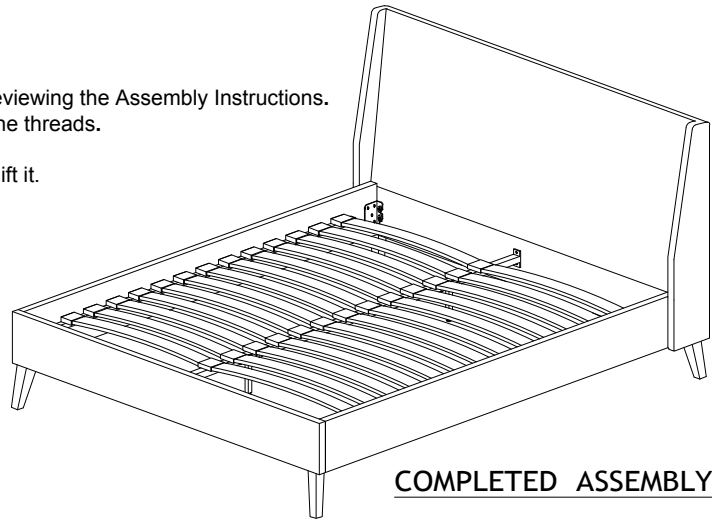
MODEL : BIANCA (BOSTON)

Thank you for purchasing this quality product. Be sure to lay all components on a soft and clean surface before assembly in order to avoid components from being scratched.

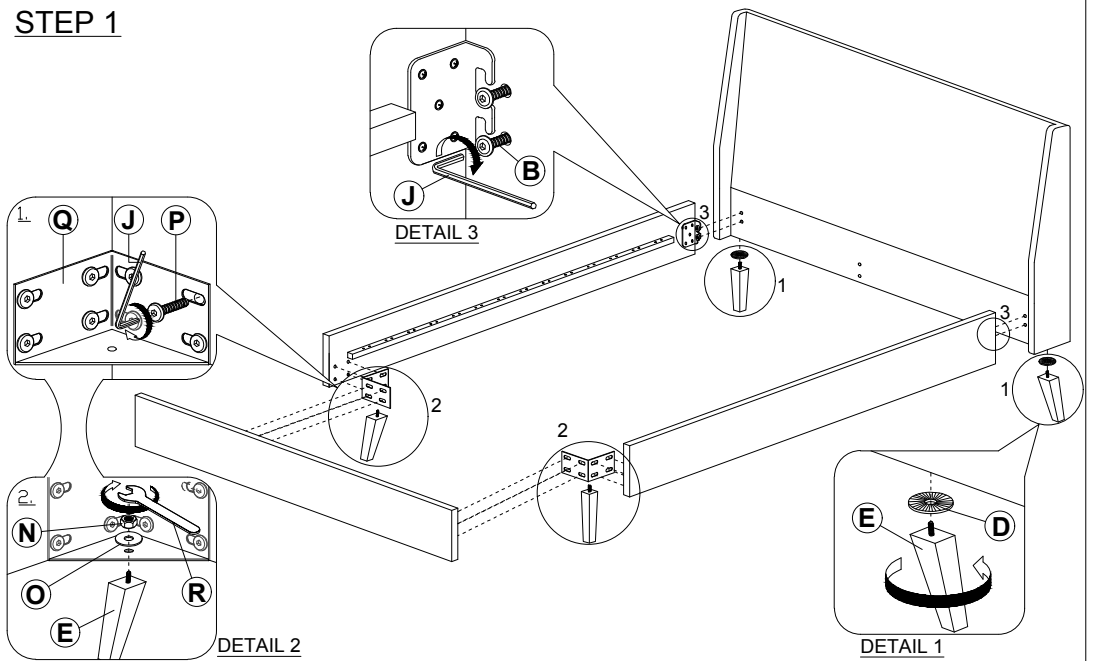
CAUTIONS :

1. Check contents against hardware list for correct quantity.
2. Familiarize yourself with the components and hardware by reviewing the Assembly Instructions.
3. Do not over tighten the screws and bolts as it may damage the threads.
4. Keep all hardware parts out of the reach of children.
5. Please "LIFT UP & MOVE" the bed whenever you want to shift it.

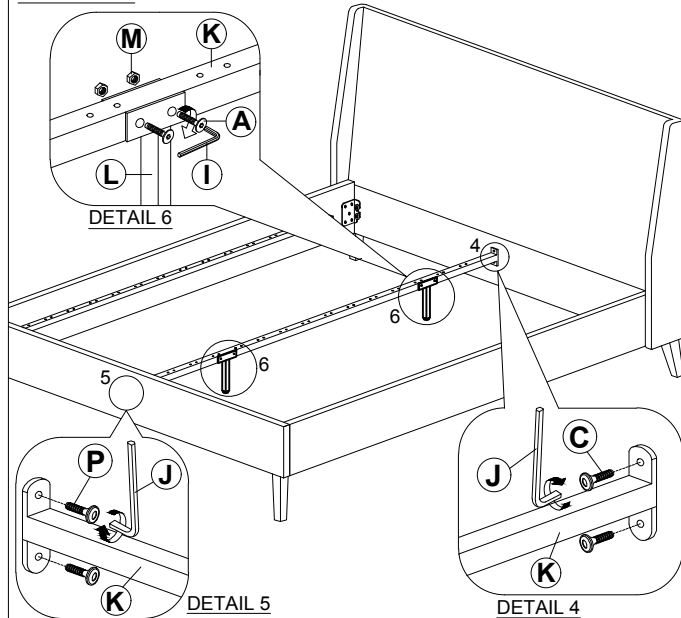
HARDWARE LIST		
NO.	DESCRIPTION	QTY
A	M6 X 40MM JCBC SCREW	4 PCS
B	M8 X 25MM JCBB SCREW *COME ATTACHED IN HEADBOARD -4PCS	
C	M8 X 16MM JCBB SCREW *COME ATTACHED IN HEADBOARD -2PCS	
D	PLASTIC WASHER	2 PCS
E	LEG	4 PCS
F	END CAP	26 PCS
G	MIDDLE CAP	13 PCS
H	SLAT	26 PCS
I	M4 ALLEN KEY	1 PC
J	M5 ALLEN KEY	1 PC
K	MIDDLE RAIL	1 PC
L	SUPPORT MIDDLE RAIL	2 PCS
M	M6 NUT	4 PCS
N	M8 NUT	2 PCS
O	FLAT WASHER	2 PCS
P	M8 X 16MM JCBB SCREW	18 PCS
Q	BRACKET	2 PCS
R	SPANNER	1 PC



STEP 1



STEP 2



STEP 3

