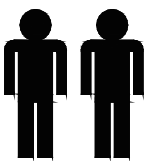


# ASSEMBLY INSTRUCTION



COLOUR: BLACK WITH WALNUT  
WHITE WITH WHITE  
BLACK WITH BLACK OAK

SIZE: 95x40x53.8cm (LWH)



2 Person Build

## Important Information

- **IMPORTANT:** RETAIN THESE INSTRUCTIONS FOR FUTURE REFERENCE.
- Due to the nature of this product we recommend that it is assembled in the room intended for use.
- When you are ready to start, make sure that you have the right tools, plenty of space and a clean, dry area for assembly.
- Unwrap all packaging materials and place the components on top of the carton box or on a clean floor to prevent it from scratching.
- Check the pack and make sure you have all the parts listed.
- Ensure that this product is fully assembled as illustrated before use.
- Check all screws or bolts are tightened and inspect regularly.
- Tools not included unless specified in the parts list - keep all tools for future use.

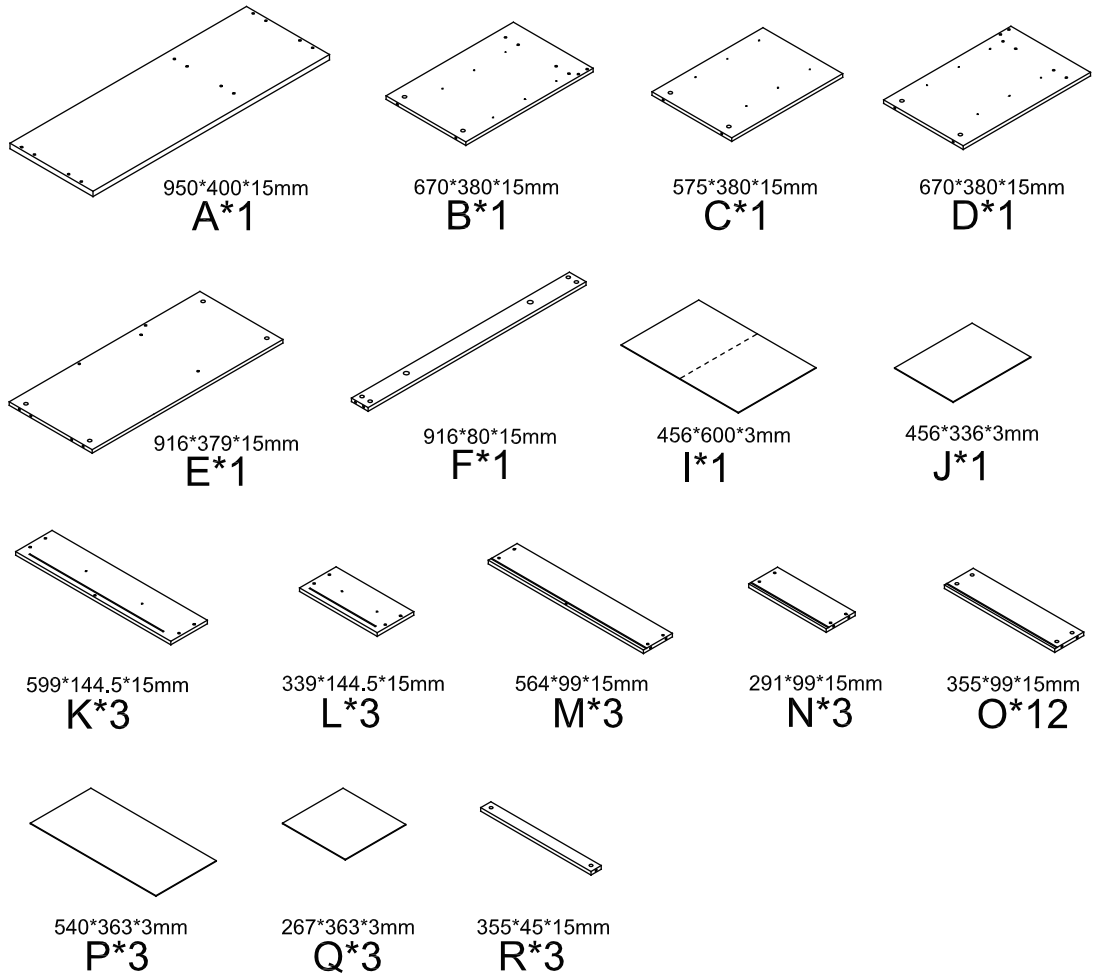
### **WARNINGS**

- This product should only be used on a firm level floor - if necessary, level the base using a thin wedge.
- Keep small parts out of reach of children.
- Make sure the base remains in contact with the floor.
- Do not use power tools to construct this product as fittings may be easily damaged or over-tightened.
- Do not tighten screws until unit fully assembled or unless when told to do so in the guide.
- Do not over tighten screws or bolts.
- Do not use this product if parts are missing, damaged or worn.
- Do not sit or stand on the product.

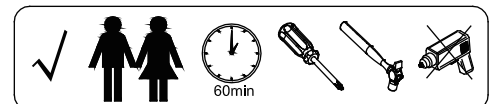
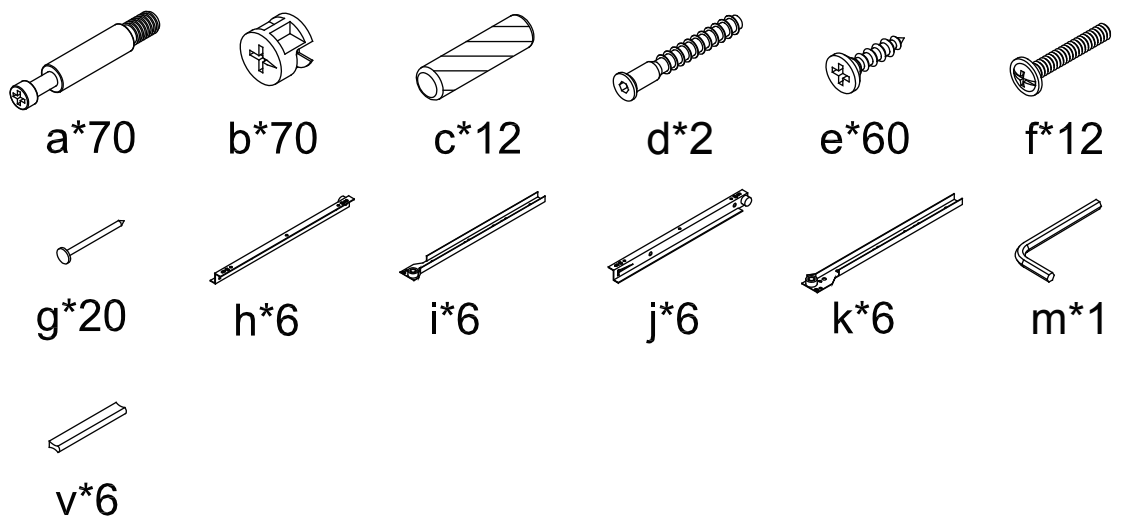
### **CARE INFORMATION**

- Never use scourers, abrasives or chemical cleaners.
- To clean wipe with a dampened cloth with warm soapy water (not wet).
- Do not use solvent-based cleaners or detergents as they can bleach or damage the product.
- Do not use furniture polish on this product.

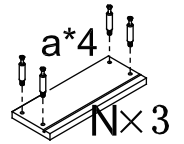
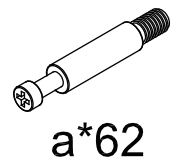
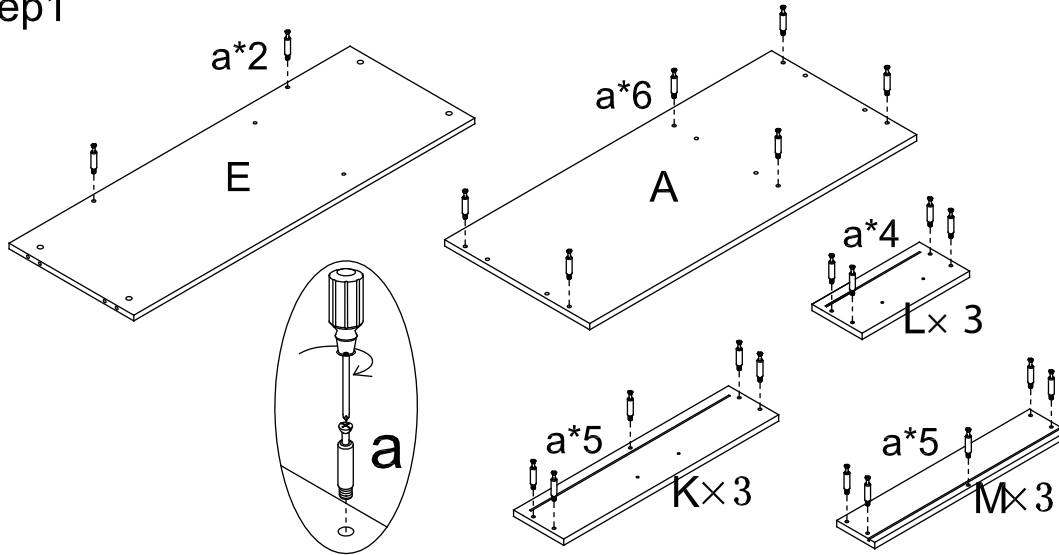
PARTS



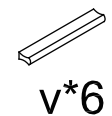
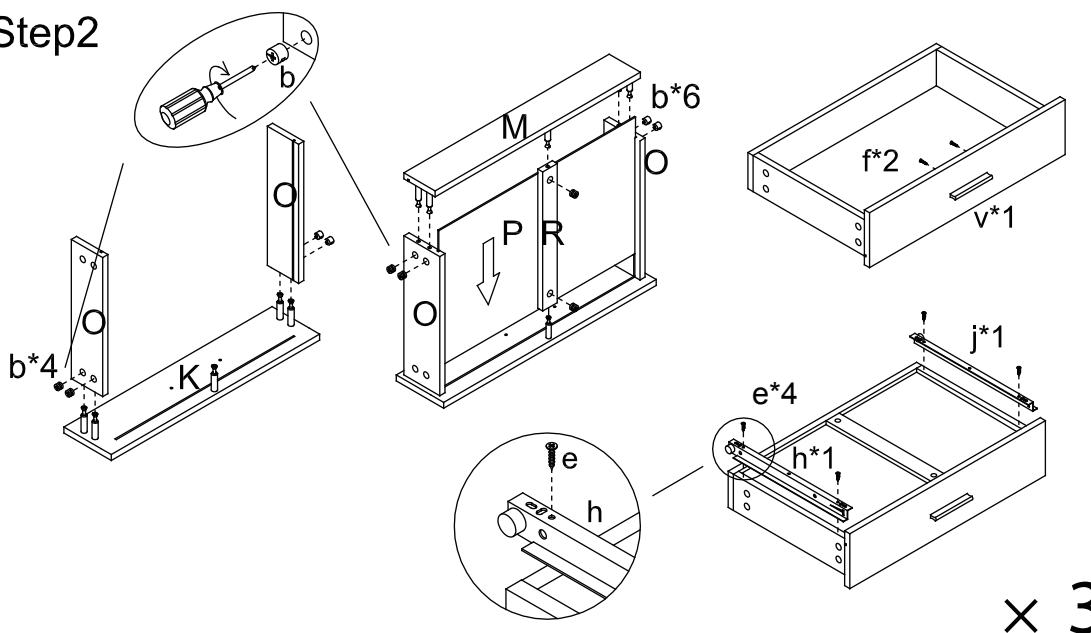
FIXINGS



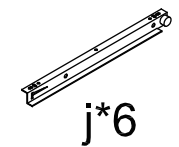
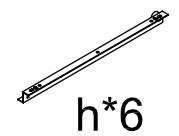
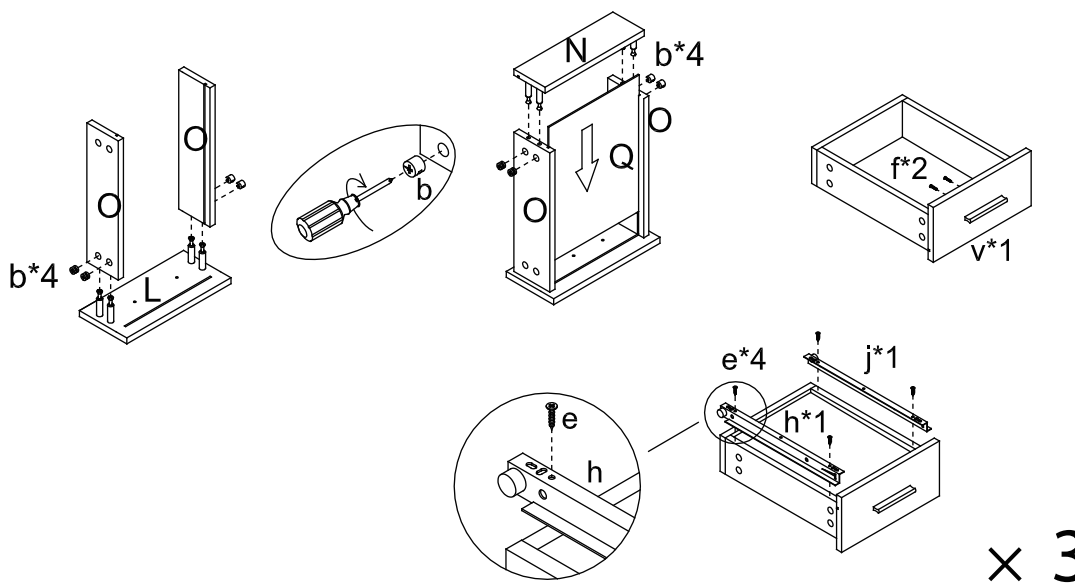
Step1



Step2

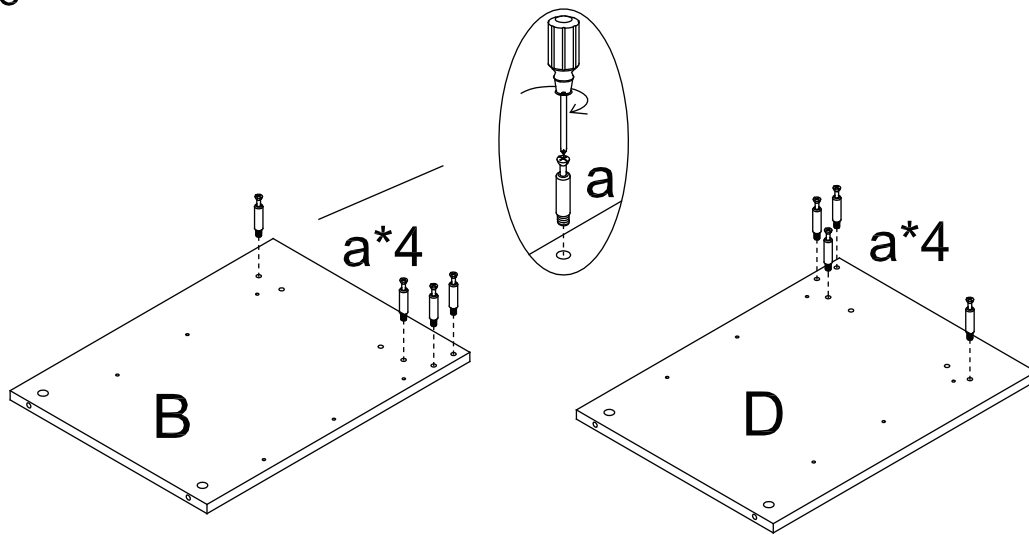


x 3

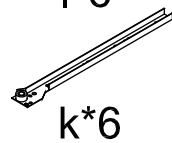
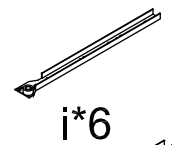
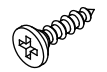
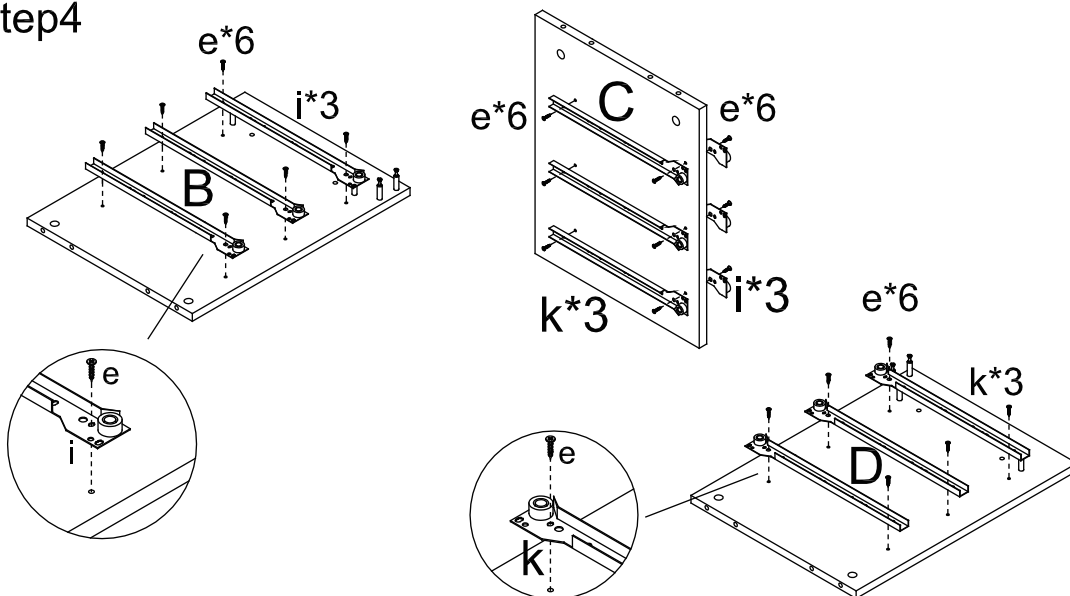


x 3

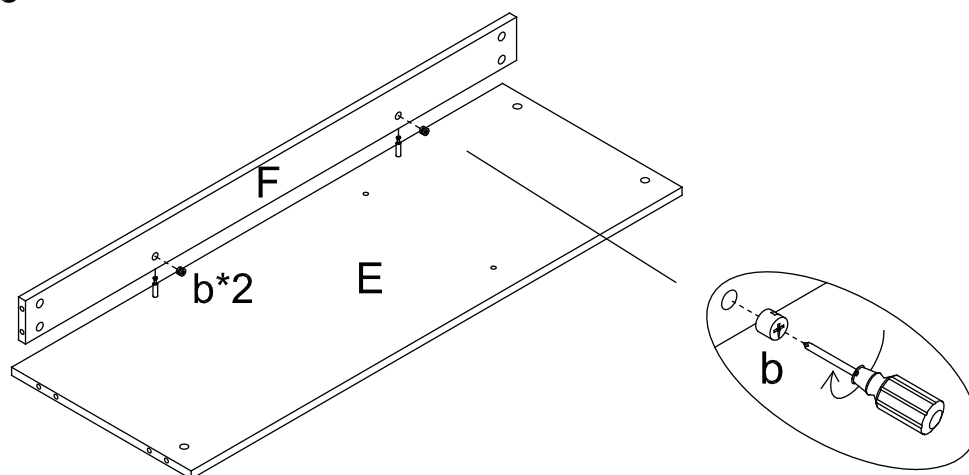
Step3



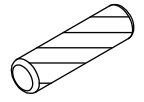
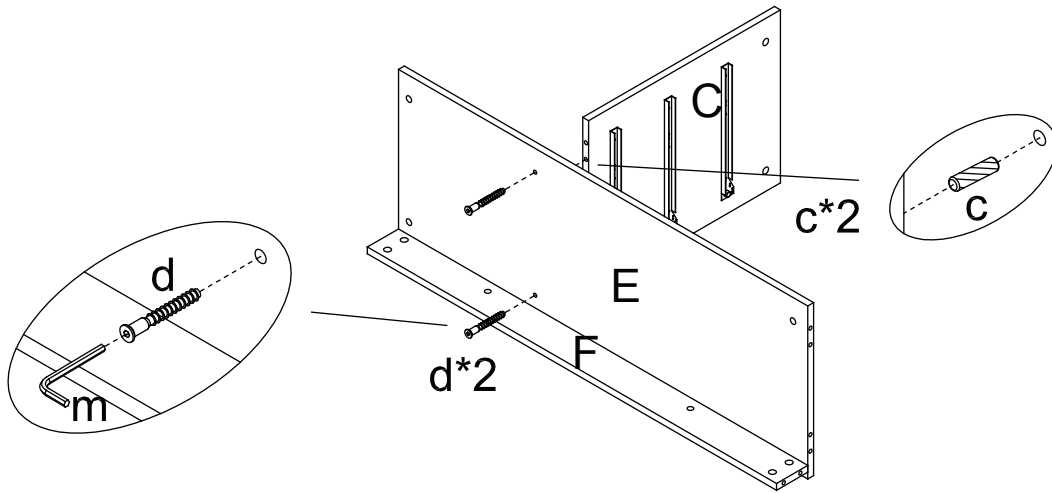
Step4



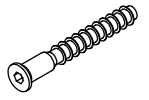
Step5



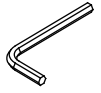
Step6



c\*2

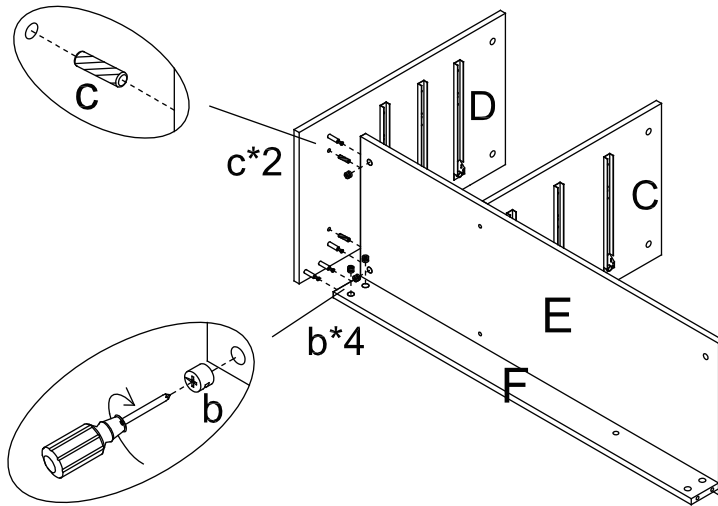


d\*2

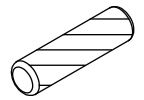


m\*1

Step7

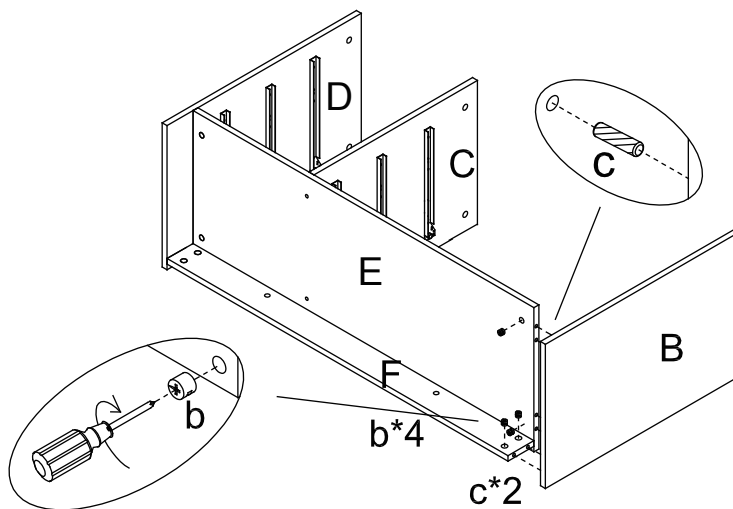


b\*4

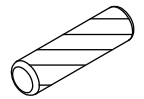


c\*2

Step8

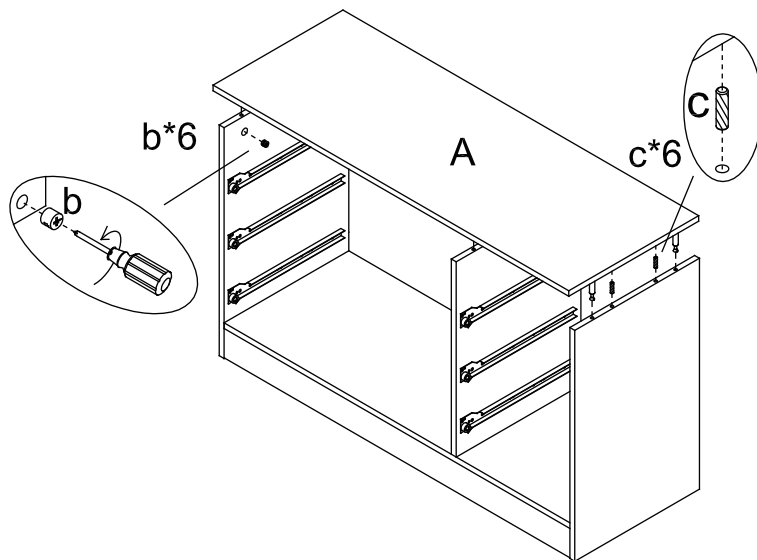


b\*4

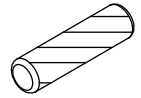


c\*2

Step9

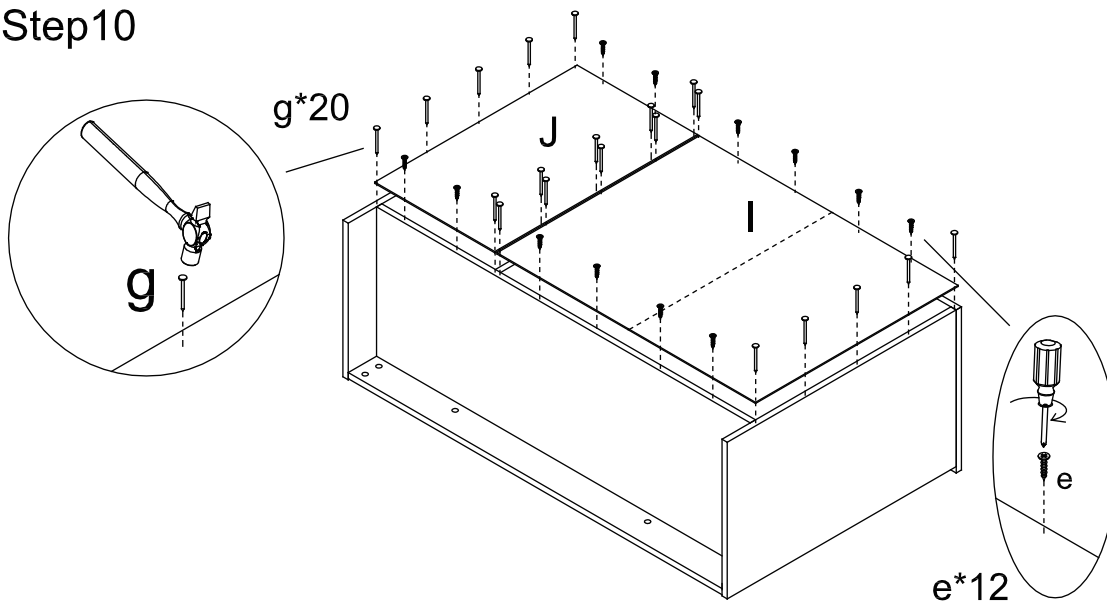


b\*6

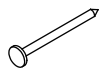


c\*6

Step10



e\*12



g\*20

Step11

