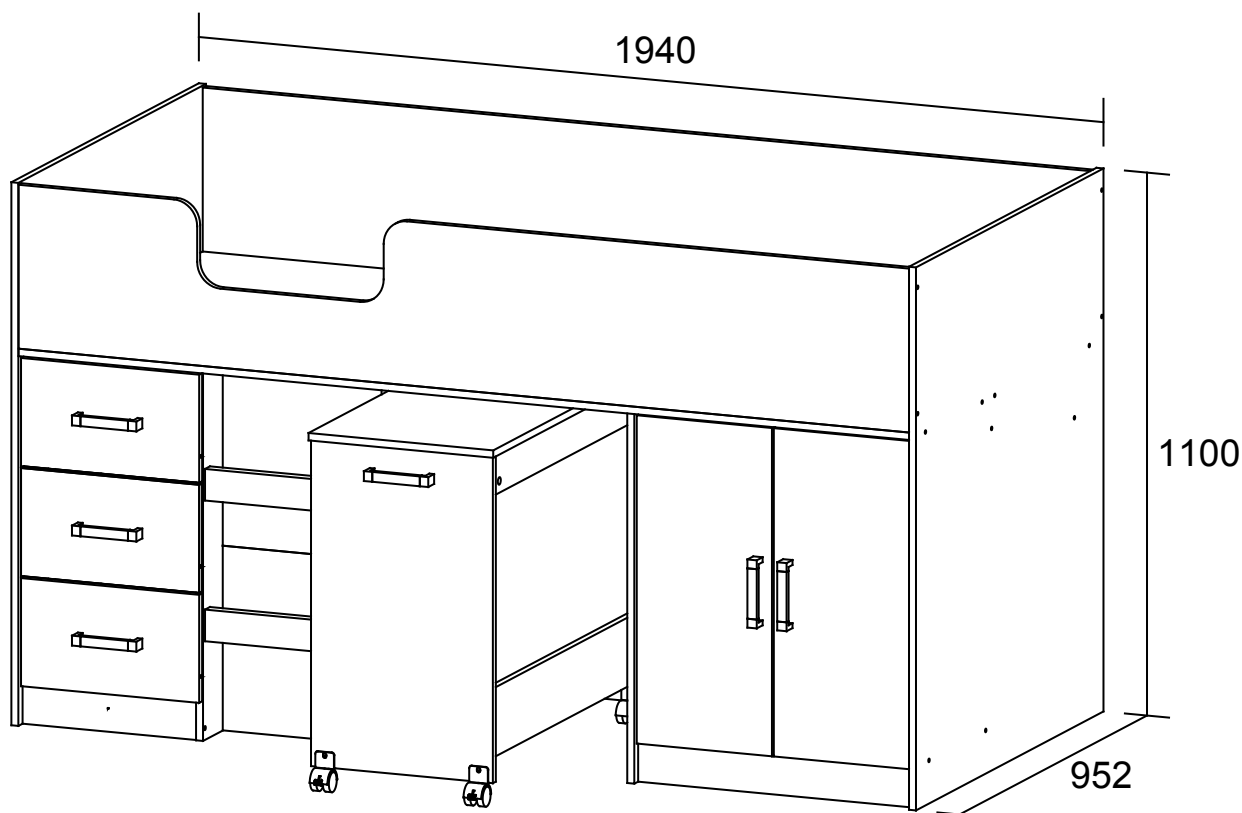


NEW OTTAWA MID SLEEPER ASSEMBLY INSTRUCTIONS

Thank you for purchasing the **NEW OTTAWA MID SLEEPER**. Please read the instructions carefully to ensure safe operation of the product.



Size: (W)1940 x (D)952 x (H)1100mm
Int. Size: (W)1910 x (D)900 x (H)300mm
Age Range: 4+ years old
Colour : Blue / Pink

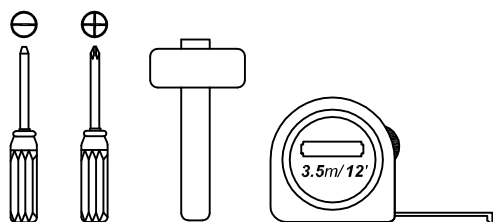


PLEASE READ this sheet prior to assembly to familiarise yourself with the various stages of construction.

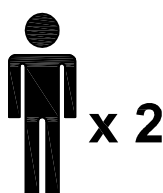
Carefully open the pack supplied and check the contents against the parts and fittings check list. Do not destroy any of the packaging until you are certain that you have all the necessary parts for the assembly.

CAUTION: There are small components used in the construction of this unit. These loose items should be kept away from young children whilst assembling your unit to avoid the danger of choking hazards.

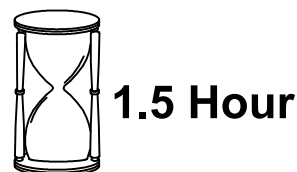
Tools Required



Person Required



Approximate Assembly Time



Batch No : PO# 952

Page 1 of 25

IMPORTANT - READ CAREFULLY - RETAIN THESE INSTRUCTIONS FOR FUTURE REFERENCE.

INFORMATION

- Not suitable for children under 4 years old.
- Midsleeper are not suitable for children under 3 years old.
- Periodically check and ensure that the guardrails, ladder and other components are in their proper position, free from damage, and that all connectors are tight.
- This product is intended for a maximum weight of **80kgs**. Do not exceed this weight.
- This item meets the test standard BS EN 747 parts 1 and 2.
- Maximum thickness of mattress 13cm. Please refer to marking on side rail.
- Recommend size of mattress 190 X 390 X 130mm.
- Due to the size of this product we recommend that it is assembled in the room intended for use.
- When you are ready to start, make sure that you have the right tools, plenty of space and a clean, dry area for assembly.
- Unwrap all packaging materials and place the components on top of the carton box or on a clean floor to prevent it from scratching.
- Check the pack and make sure you have all the parts listed.
- Ensure that this product is fully assembled as illustrated before use.
- Check all screws or bolts are tightened and inspect regularly
- This product should only be used on firm, level ground.
- Keep small parts out of reach of children.
- Make sure the legs remain in contact with the ground.
- Tools not included.

WARNINGS

- DO ensure the safety lockable castor is located and locked in place.
- DO keep plastic bags away from children whilst assembling of this product to avoid suffocation.
- DO make sure the legs remain in contact with the ground.
- DO keep small parts out of reach of children.
- DO always use the ladder for entering and leaving the upper bunk.
- DO NOT allow more than one person on the upper bunk.
- DO NOT use power tools to construct this product.
- DO NOT tighten screws until fully assembled.
- DO NOT over tighten screws or bolts.
- DO NOT use this product if parts are missing, damaged or worn.
- DO NOT sit or stand on the product.

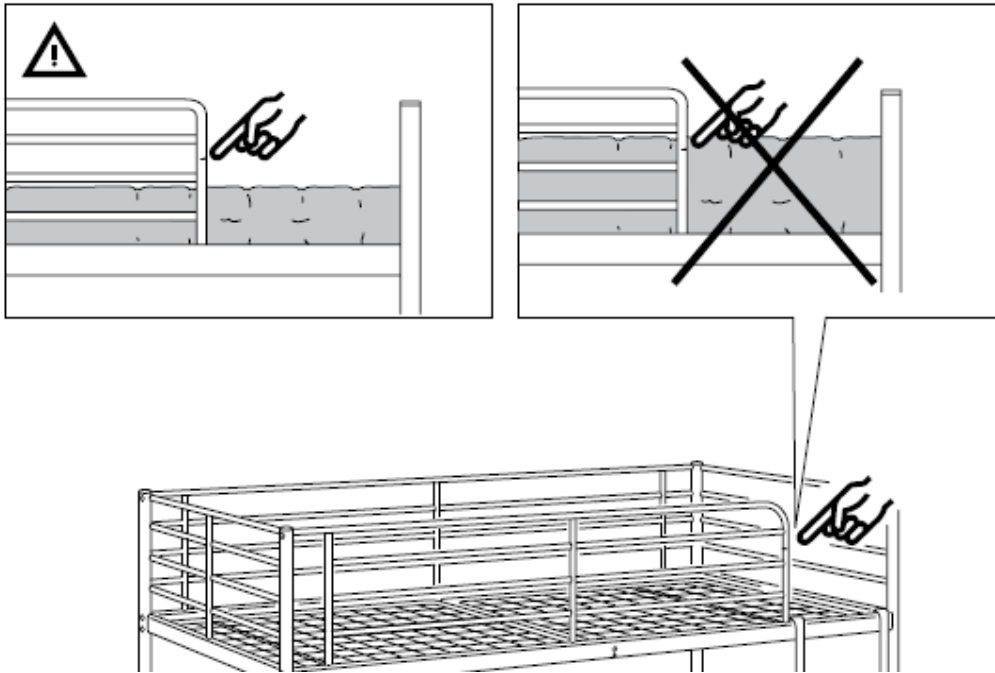
CARE INFORMATION

- Never use scourers, abrasives or chemical cleaners.
- To clean wipe with a sponge and warm soapy water. Do not use solvent based cleaners or detergents as they can bleach or damage the product.
- Do not place bed near heat sources, windows or other furniture. This includes danger of blind cords, curtains pulls, other strings or cords.
- Never drag or pull this product across the floor as this could cause damage to the joints and could result in failure to the product that will invalidate the warranty.

! SAFETY WARNING !

MAXIMUM MATTRESS SIZE WARNING

This is a safety warning, the MAXIMUM thickness of mattress 13cm. Please refer to marking on side rail indicated here:



ENTRAPMENT WARNING

Between the Midsleeper and the wall should not exceed 75mm or shall be more than 230mm.

STRANGULATION WARNING

Beware children can be strangled from items such as ropes, string, cord, harnesses and belts attached to or hung from the midsleeper.

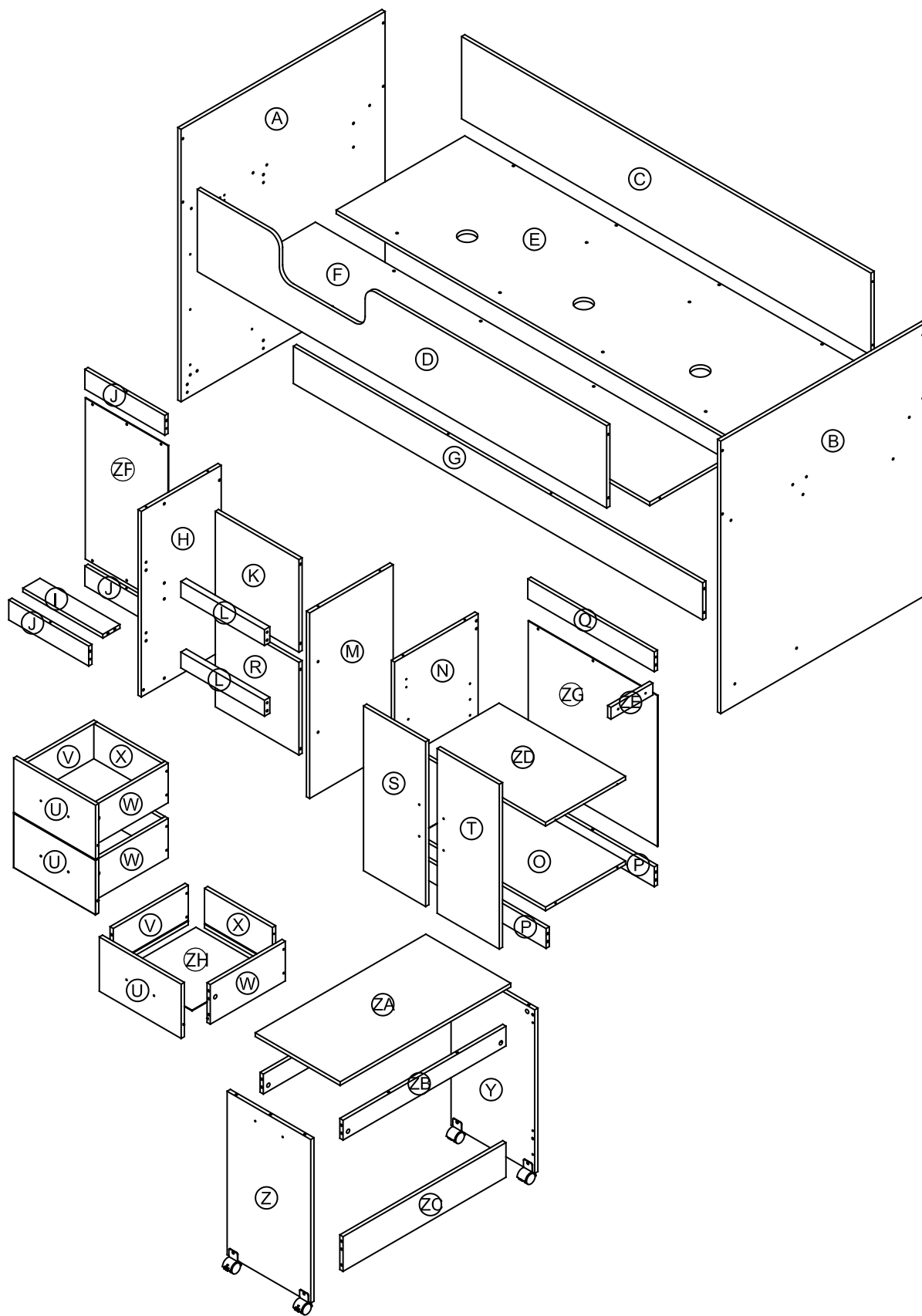
Please check the pack contents before assembling the product. If any components are missing, please contact your retailer. The fittings pack contains small items that should be kept away from small children.

Parts

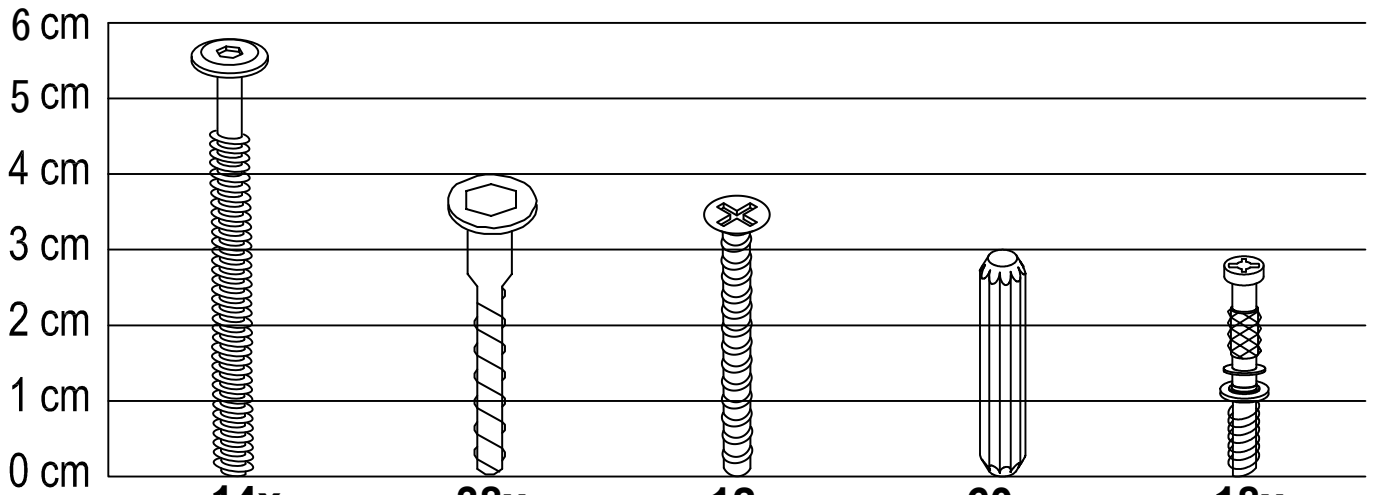
CODE	PART NAME	QTY
A	Side Panel (Left)	1
B	Side Panel (Right)	1
C	Side Rail (Back)	1
D	Side Rail (Front)	1
E	Back Base	1
F	Front Base	1
G	Base Support	1
H	Ladder Side Panel	1
I	Drawer Chest Bottom Bar	1
J	Drawer Chest Bottom Support	3
K	Ladder Back Board	1
L	Ladder Step	2
M	Ladder Side Panel (Right)	1
N	Small Side Panel (Left)	1
O	Bottom Panel	1
P	Bottom Support	2
Q	Base Support	1

CODE	PART NAME	QTY
R	Ladder Back Board	1
S	Door (Left)	1
T	Door (Right)	1
U	Drawer Front	3
V	Drawer Side (Left)	3
W	Side Panel (Right)	3
X	Vertical Support Panel	3
Y	Study Desk Panel (Left)	1
Z	Study Desk Panel (Right)	1
ZA	Study Desk Top Panel	1
ZB	Study Desk Top Support	2
ZC	Study Desk Bottom Support	1
ZD	Study Desk Adjustable Shelf	1
ZE	Base Support Bar	1
ZF	Drawer Chest Back panel	1
ZG	Back Panel	1
ZH	Drawer Bottom	3

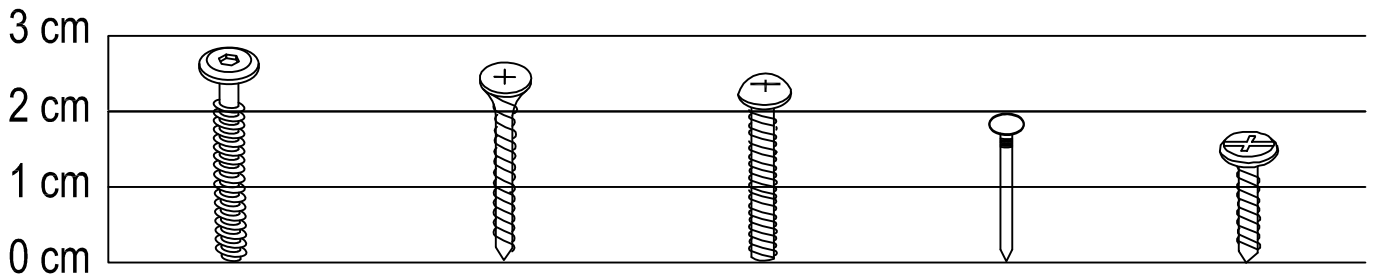
Please check the pack contents before assembling the product. If any components are missing, please contact your retailer. The fittings pack contains small items that should be kept away from small children.



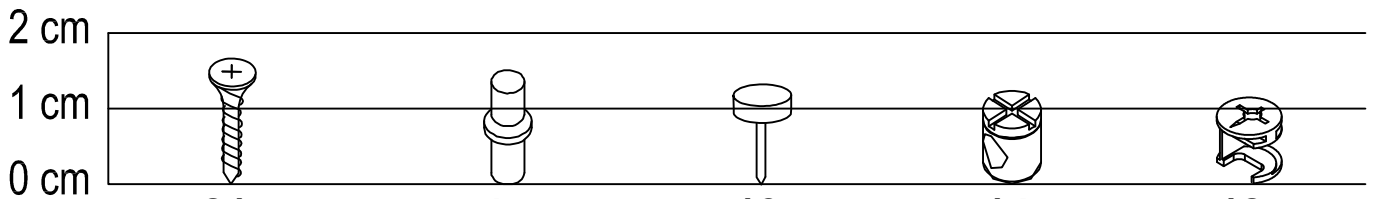
Fixings (to scale)



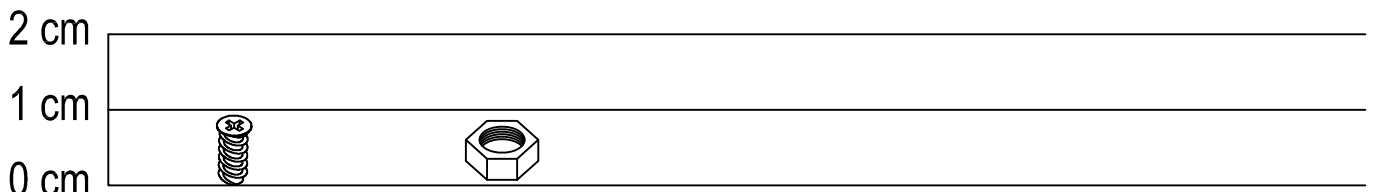
14x D6 x 55mm a JCBC Screw	38x D6.3 x 40mm b Unitar Screw	12x M4 x 38mm c CSK Screw	60x M8 x 30mm d Wooden Dowel	18x M5 x 29mm e Minifix Bolt
---	---	--	---	---



4x M6 x 25mm f JCBC Screw	2x M4 x 25mm g CSK Screw	12x M4 x 20mm h Handle Screw	12x 19mm i Nail Pin	20x M10 x 16mm j Tapping Screw
--	---	---	--	---

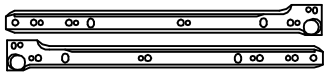


21x M3.5 x 15mm k CSK Screw	4x D5 x 15mm l Shelf Support	13x 5 x 8 x 13.5mm m Nail Leg	14x M6 x 10 x 13mm n Barrel Nut	18x 15/12 o Minifix Cam
--	---	--	--	--



12x M6 x 8mm p Euro Screw	4x M6 q Hex Nut
--	--

Fixings (not to scale)



3x
14" - 350mm
r
Drawer Slide



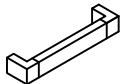
3x
14" - 350mm
s
Drawer Slide



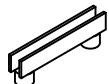
4x
7/8"
t
Metal Hinges



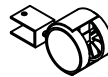
1x
W19 x L40
u
Door Stopper



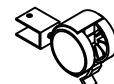
6x
W20 x H32 x L137
v
Handle



2x
L42mm
w
MDF Support



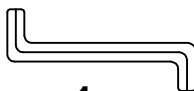
2x
x
U-Castor Without Stopper



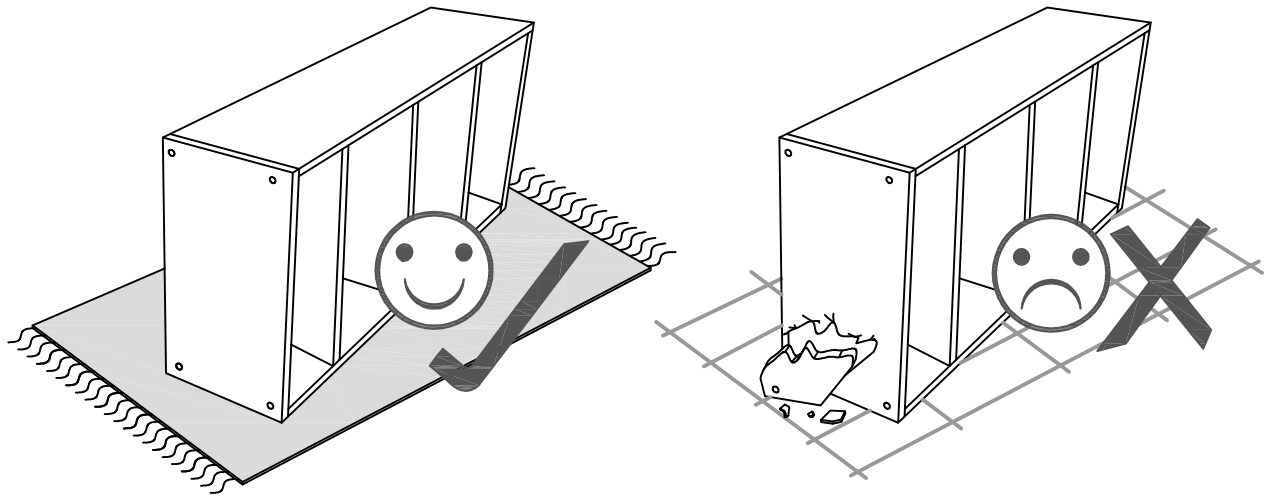
2x
y
U-Castor With Stopper



1x
z
Metal L-Bracket

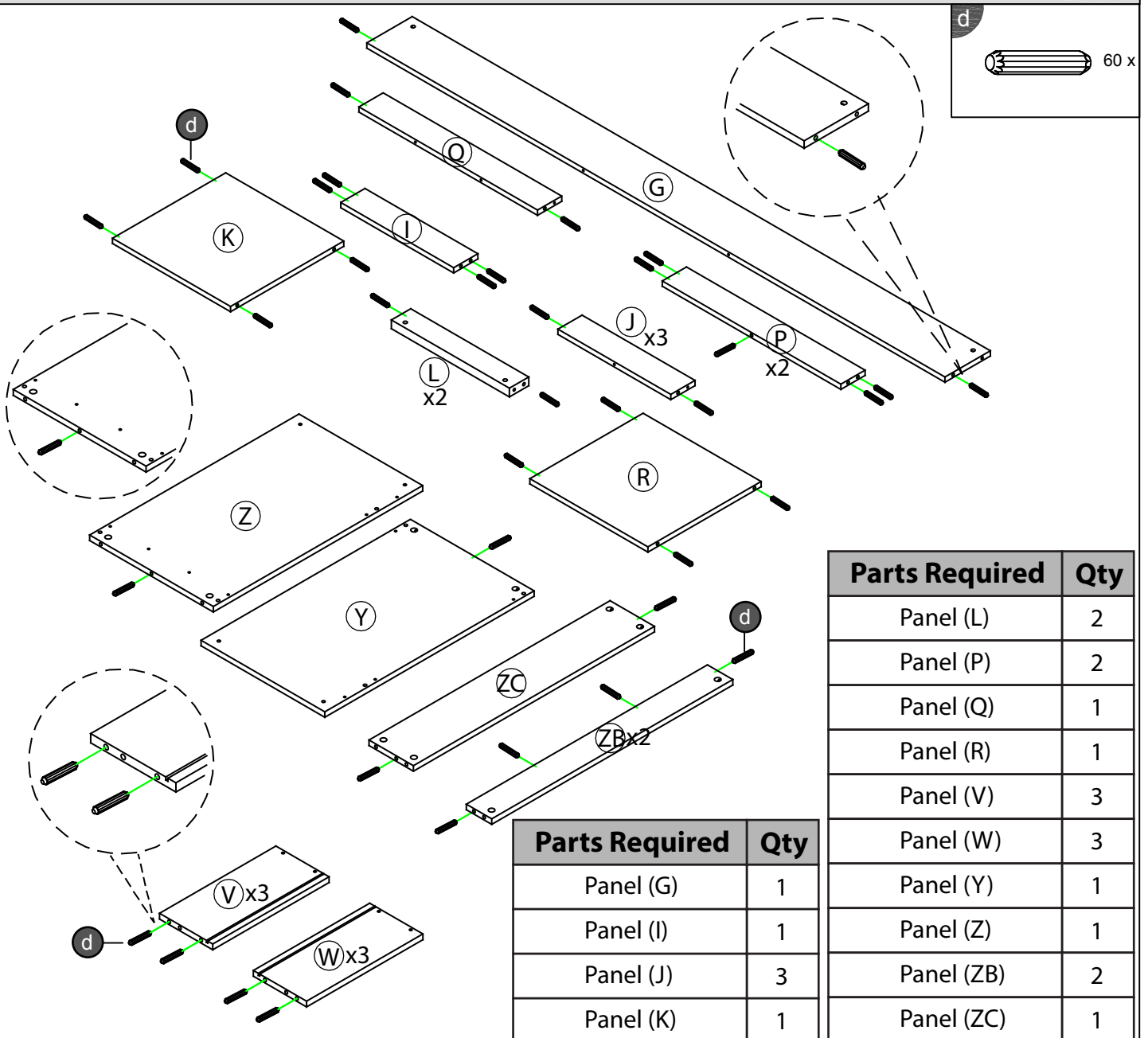


1x
M4
z1
Allen Key



Layout Parts on Soft Surface

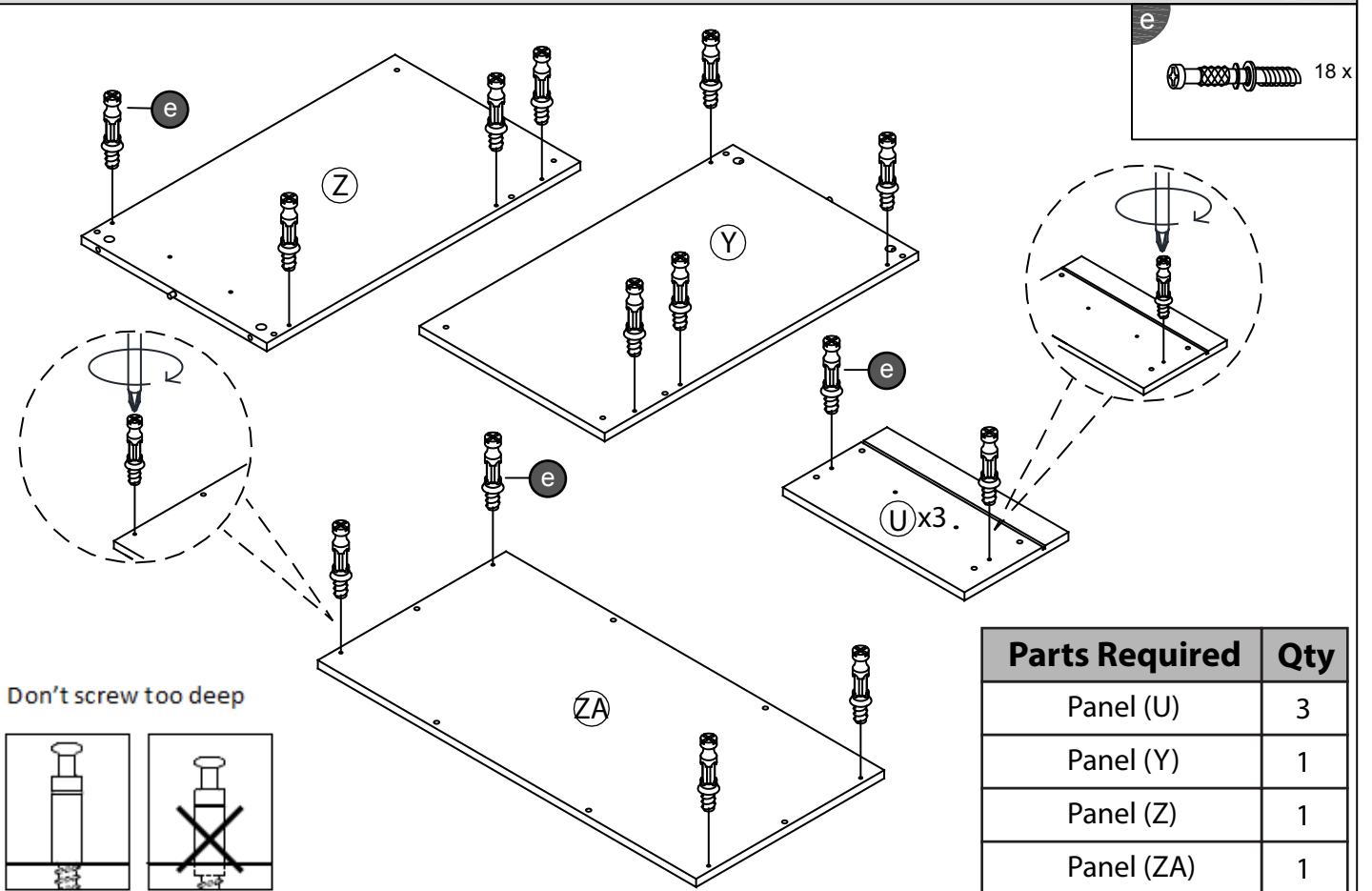
STEP 1



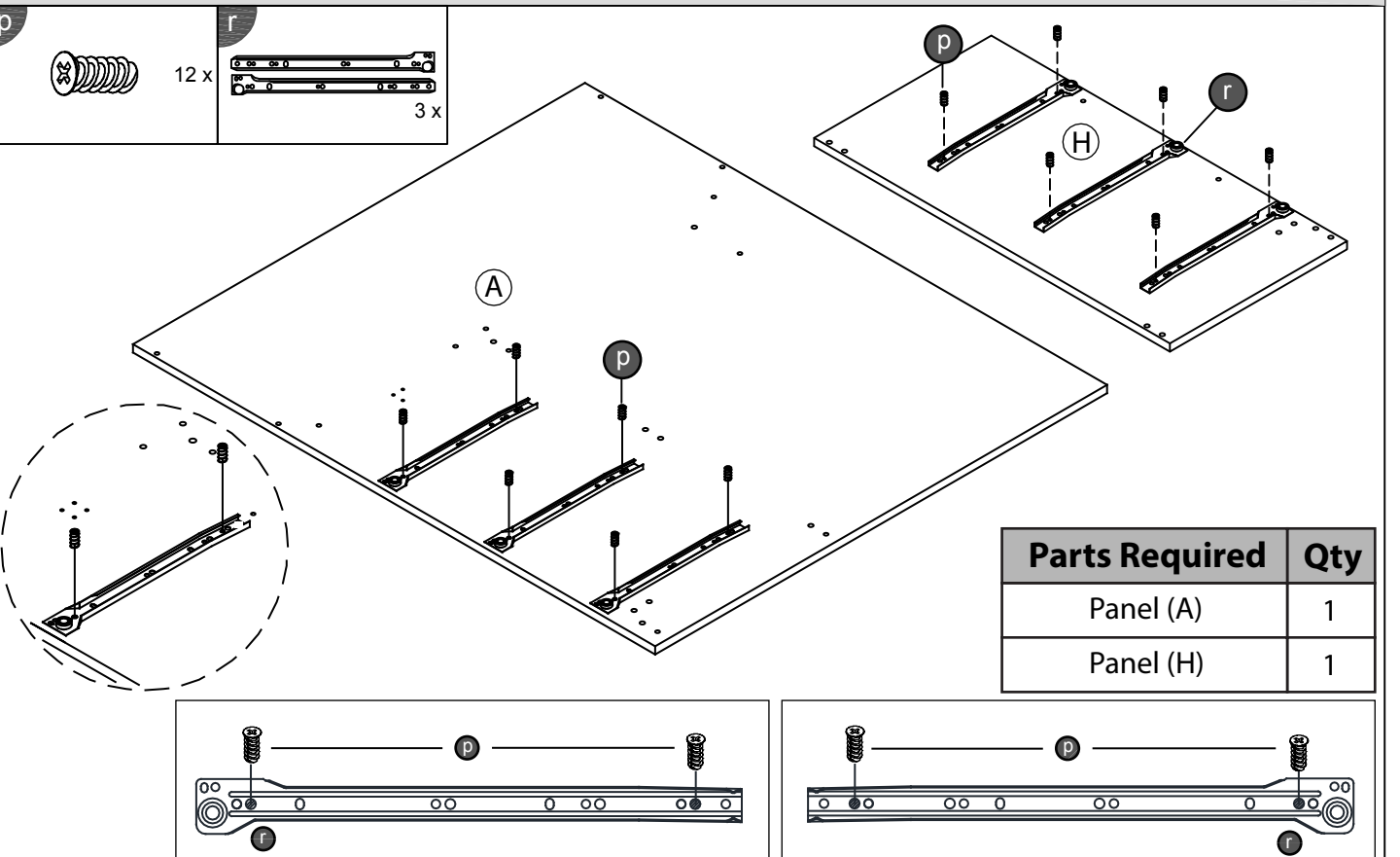
Parts Required	Qty
Panel (G)	1
Panel (I)	1
Panel (J)	3
Panel (K)	1

Parts Required	Qty
Panel (L)	2
Panel (P)	2
Panel (Q)	1
Panel (R)	1
Panel (V)	3
Panel (W)	3
Panel (Y)	1
Panel (Z)	1
Panel (ZB)	2
Panel (ZC)	1

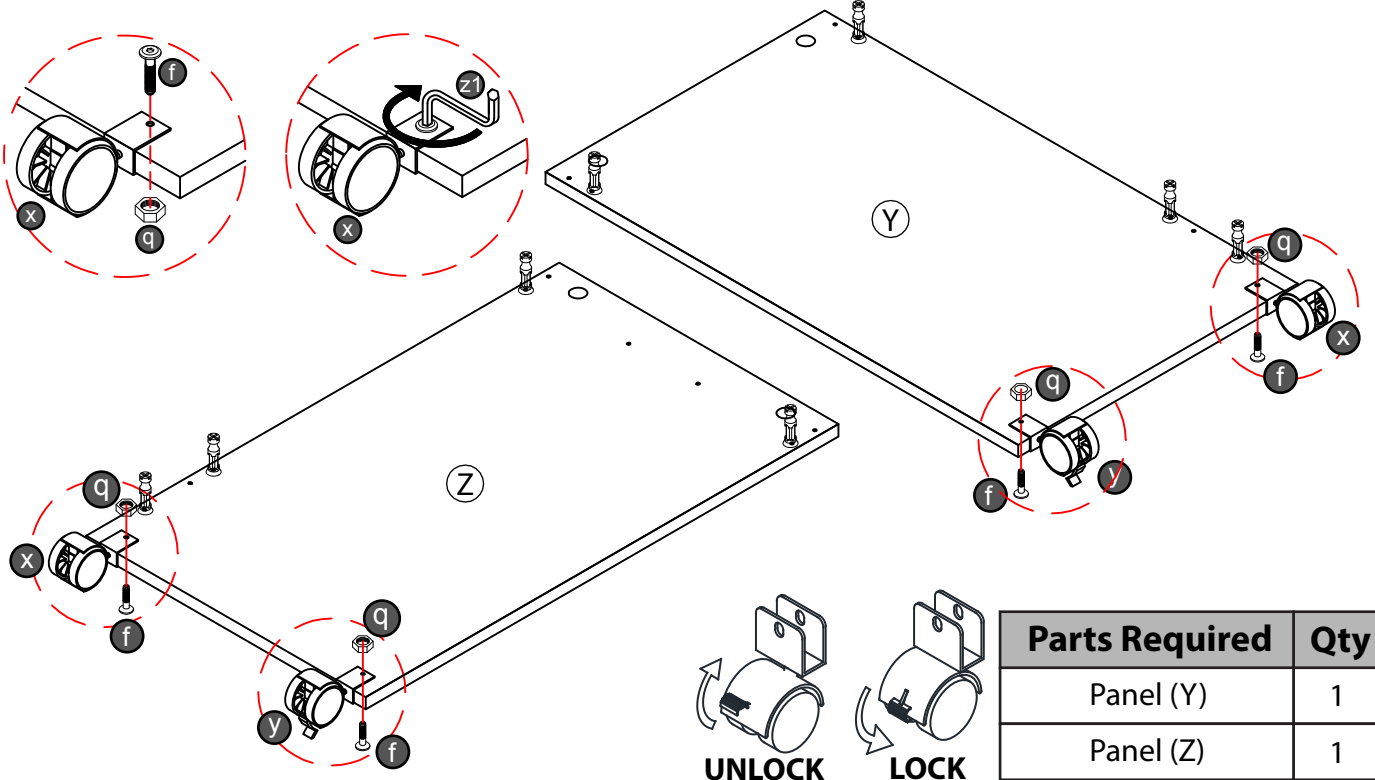
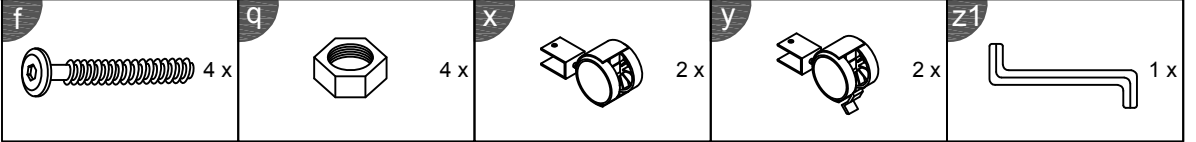
STEP 2



STEP 3

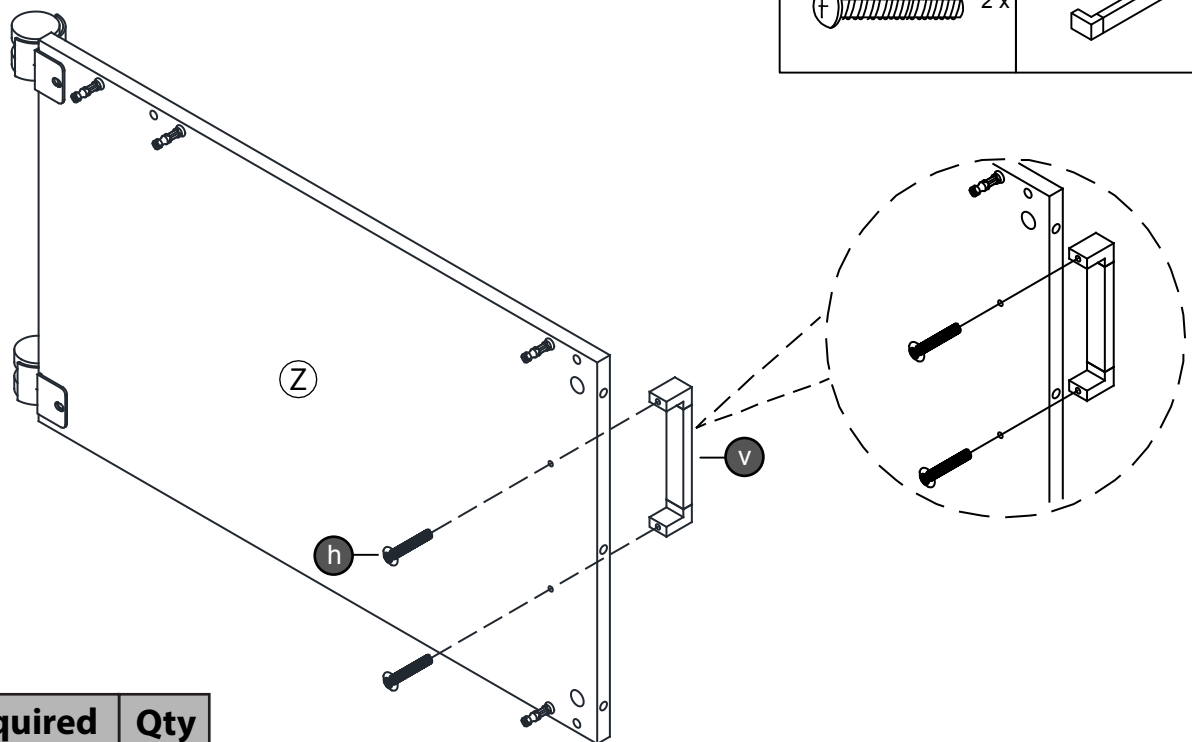
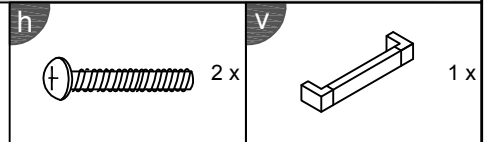


STEP 4



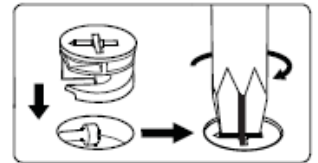
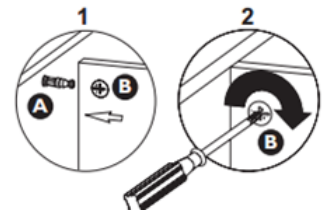
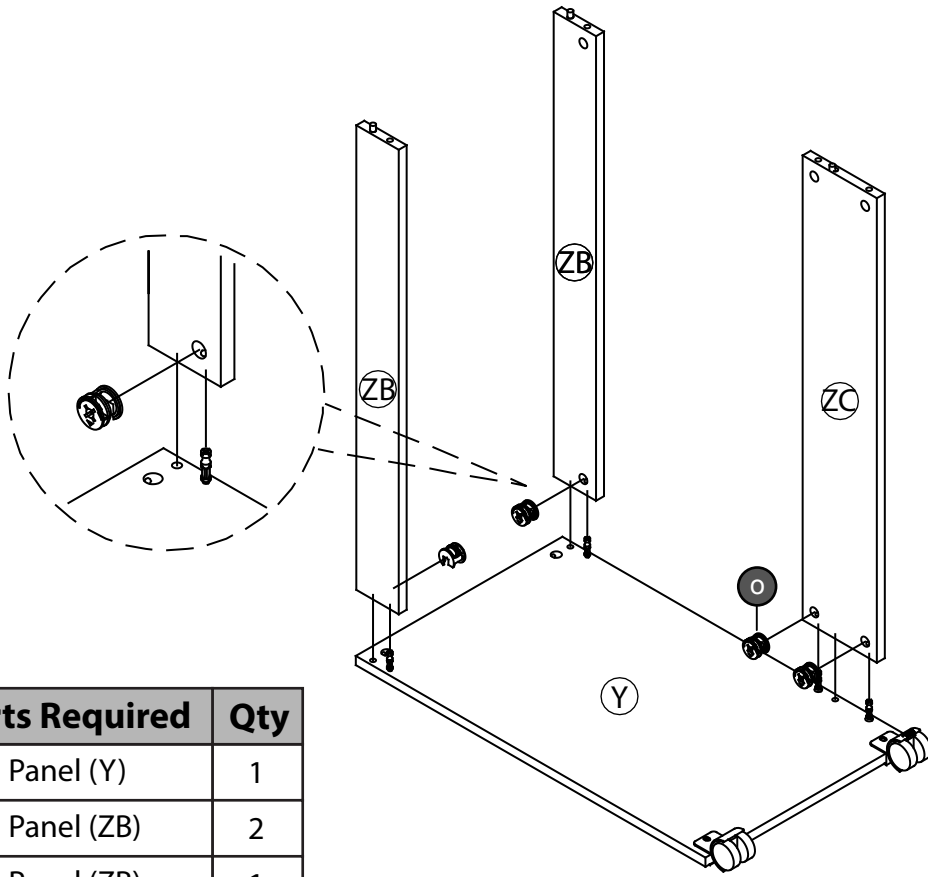
Parts Required	Qty
Panel (Y)	1
Panel (Z)	1

STEP 5



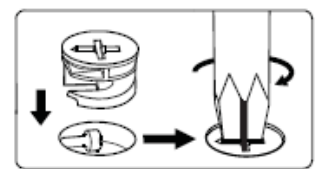
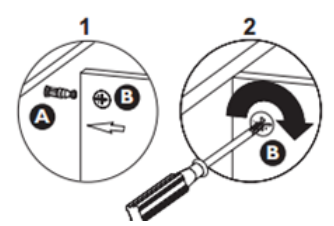
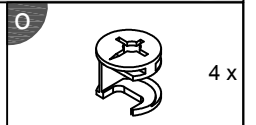
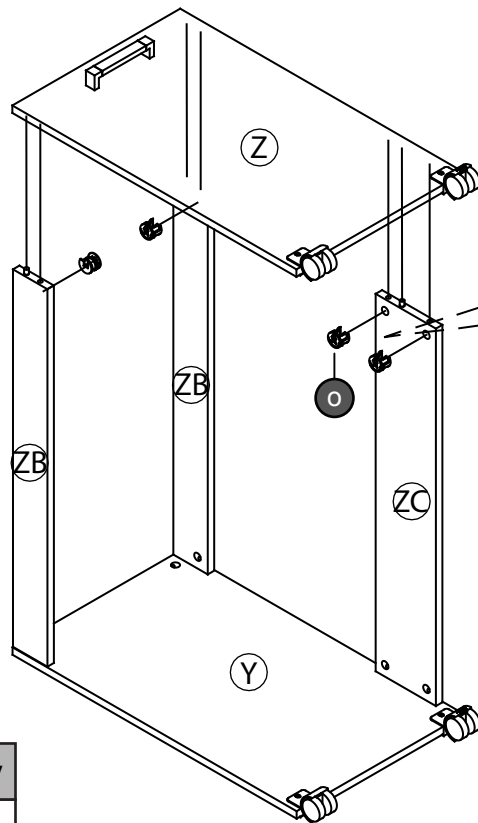
Parts Required	Qty
Panel (Z)	1

STEP 6



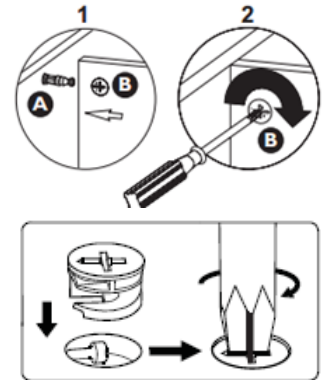
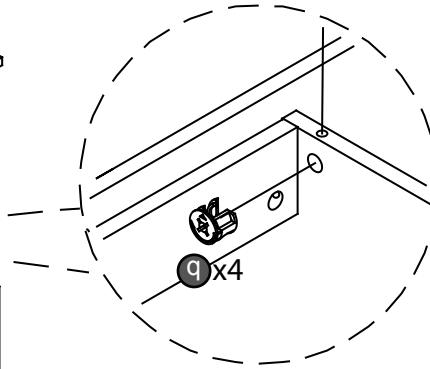
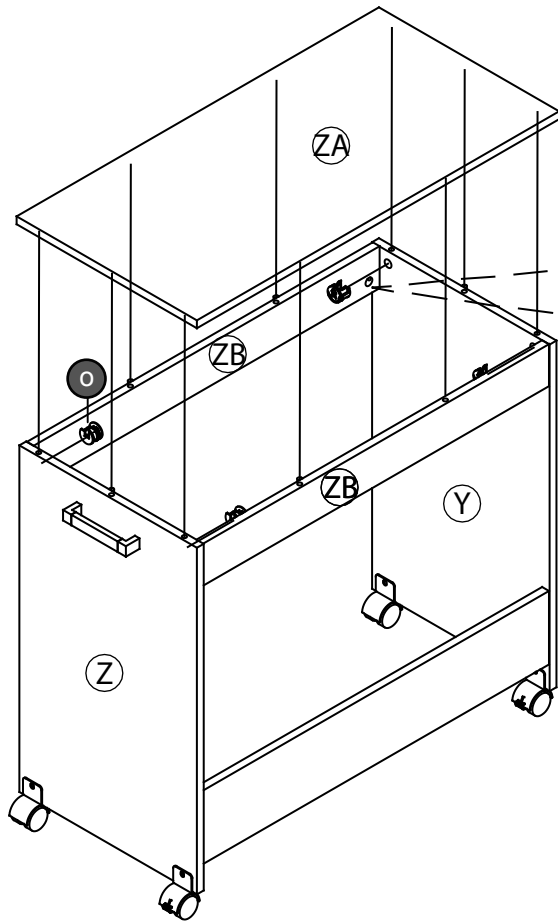
Parts Required	Qty
Panel (Y)	1
Panel (ZB)	2
Panel (ZB)	1

STEP 7



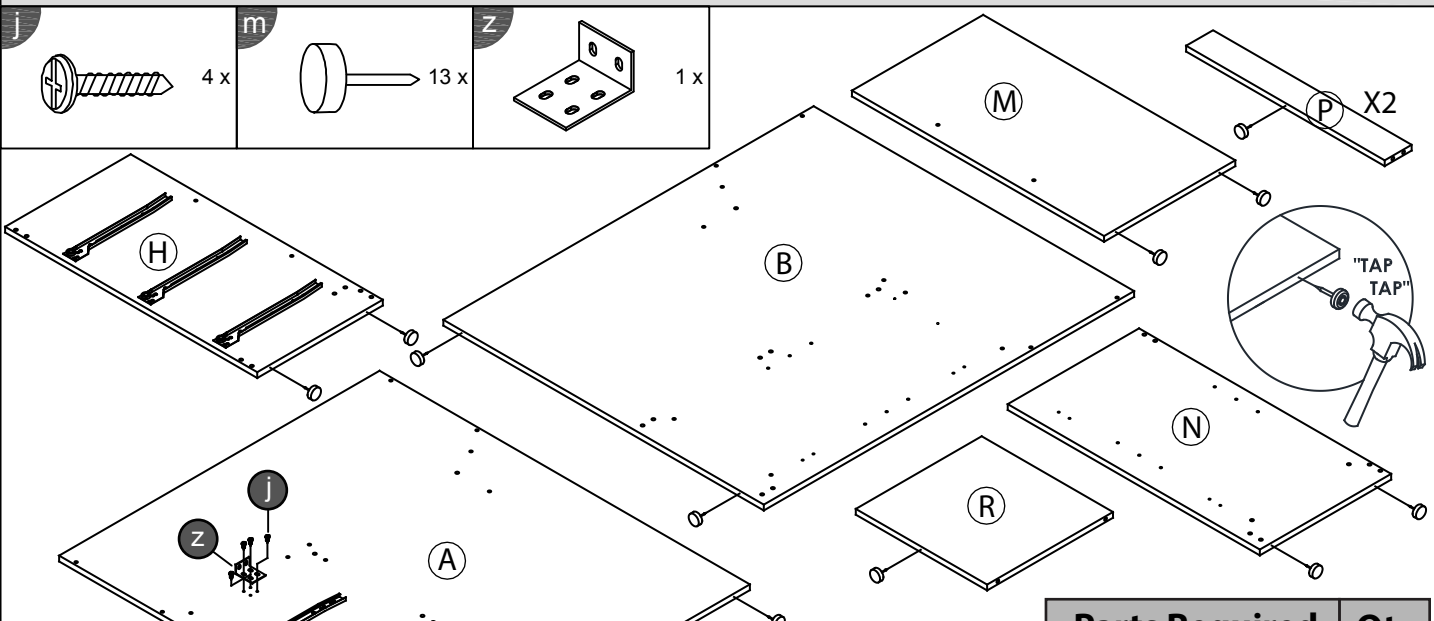
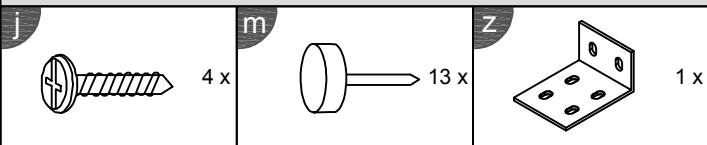
Parts Required	Qty
Panel (Z)	1

STEP 8



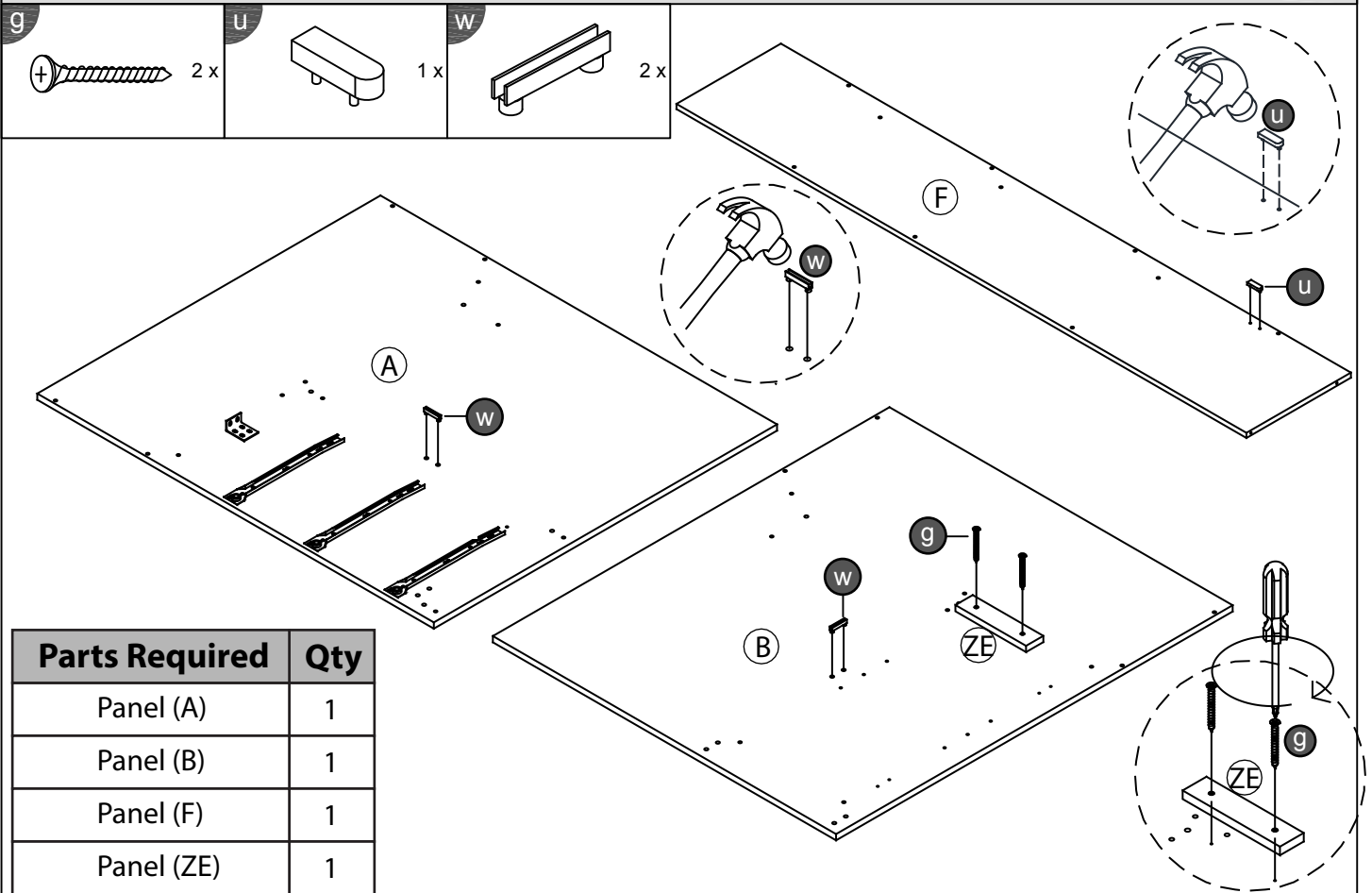
Parts Required	Qty
Panel (ZA)	1

STEP 9

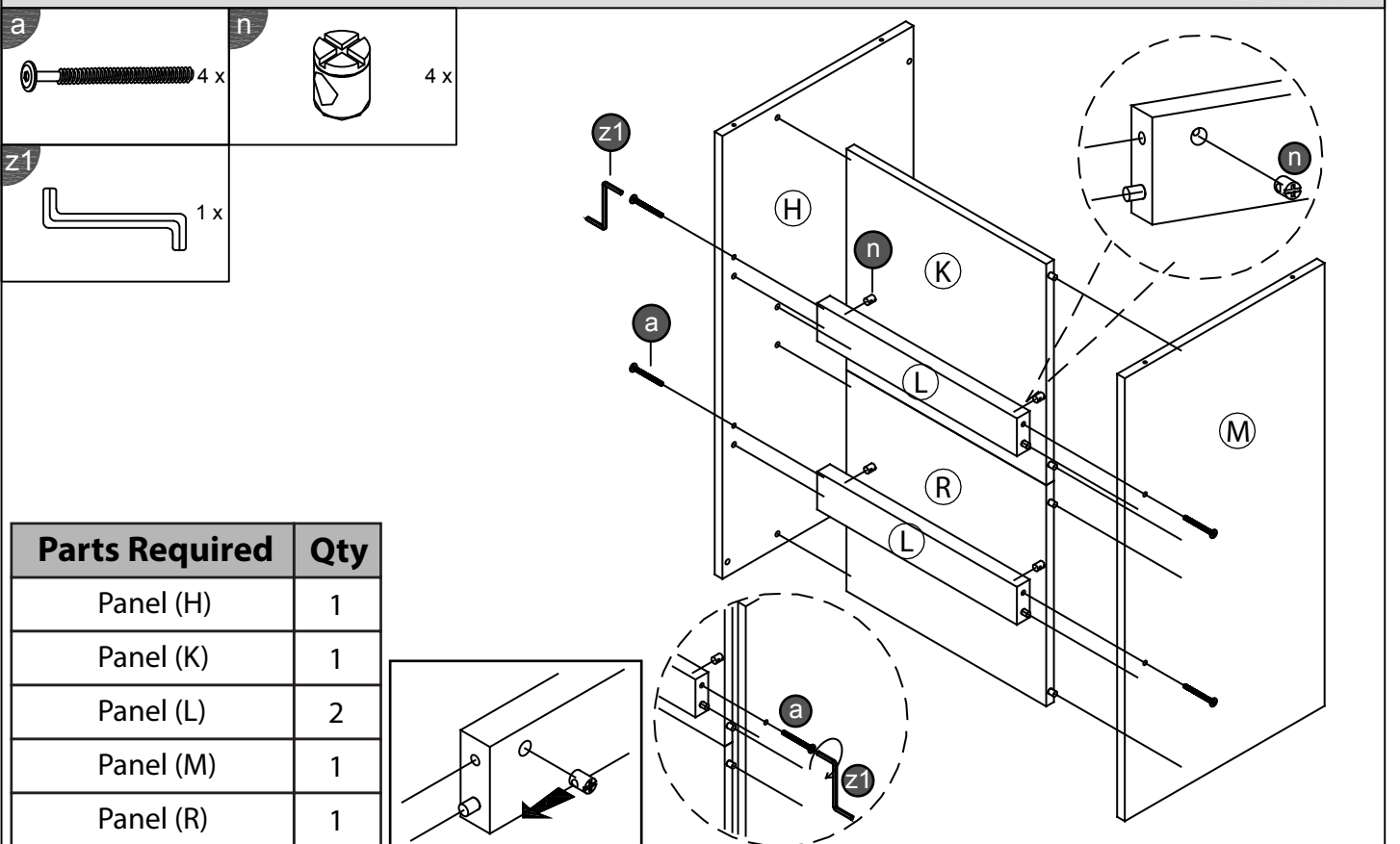


Parts Required	Qty	Parts Required	Qty
Panel (A)	1	Panel (M)	1
Panel (B)	1	Panel (N)	1
Panel (H)	1	Panel (P)	1
Panel (H)	1	Panel (R)	1

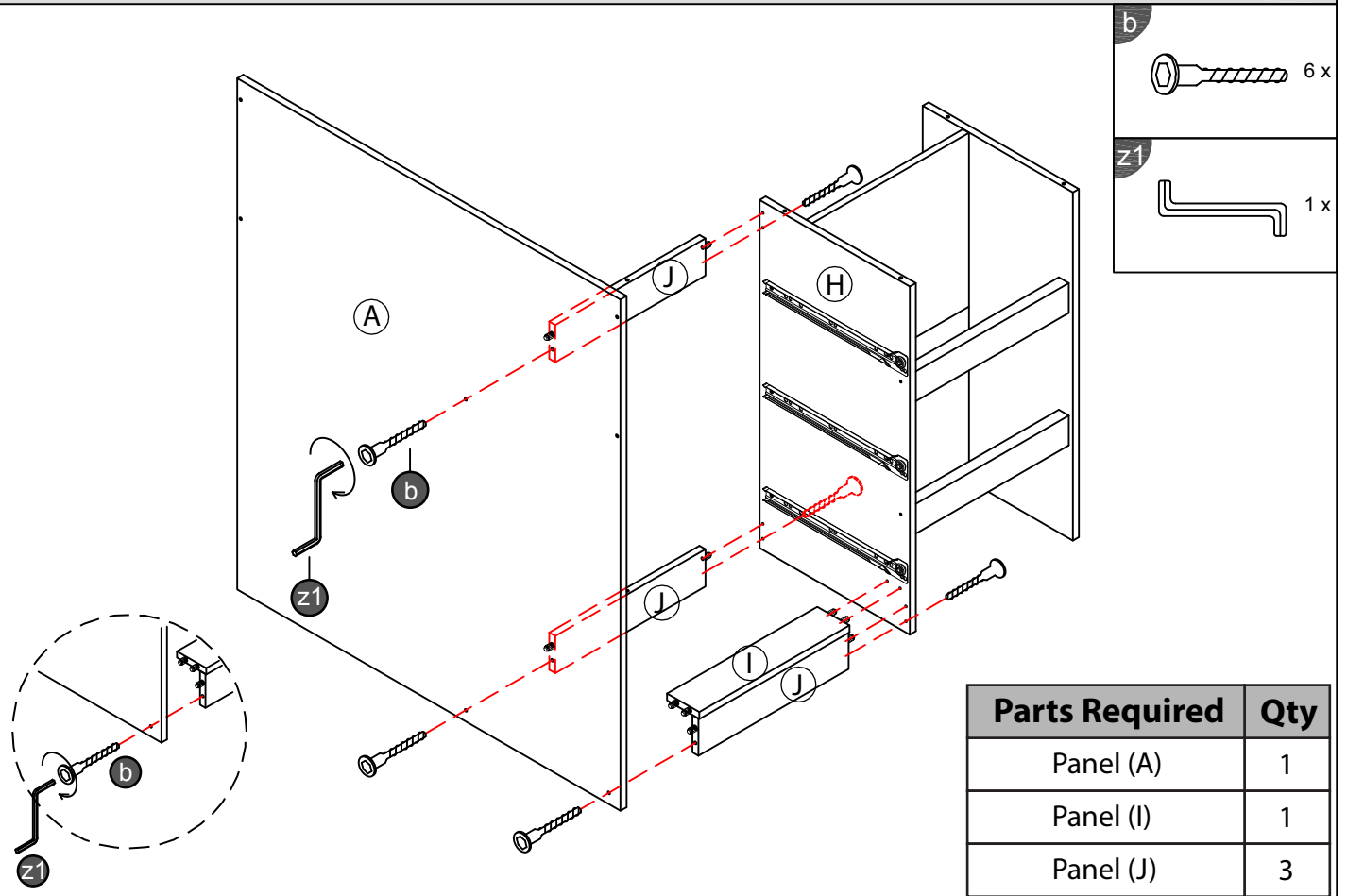
STEP 10



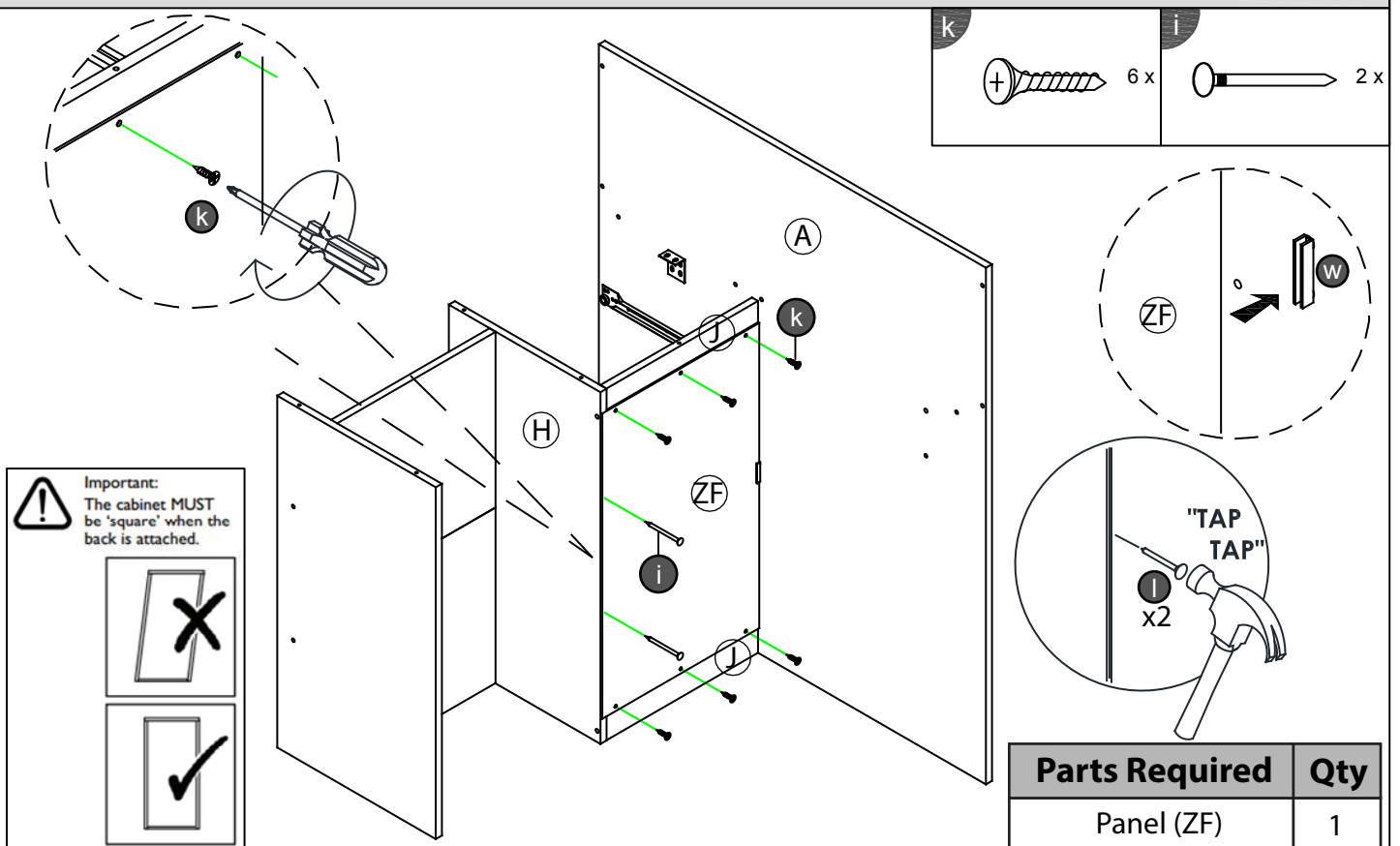
STEP 11



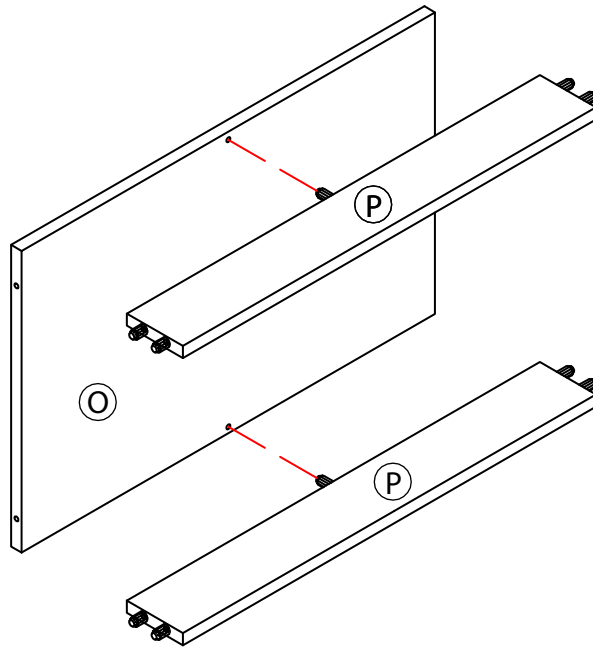
STEP 12



STEP 13

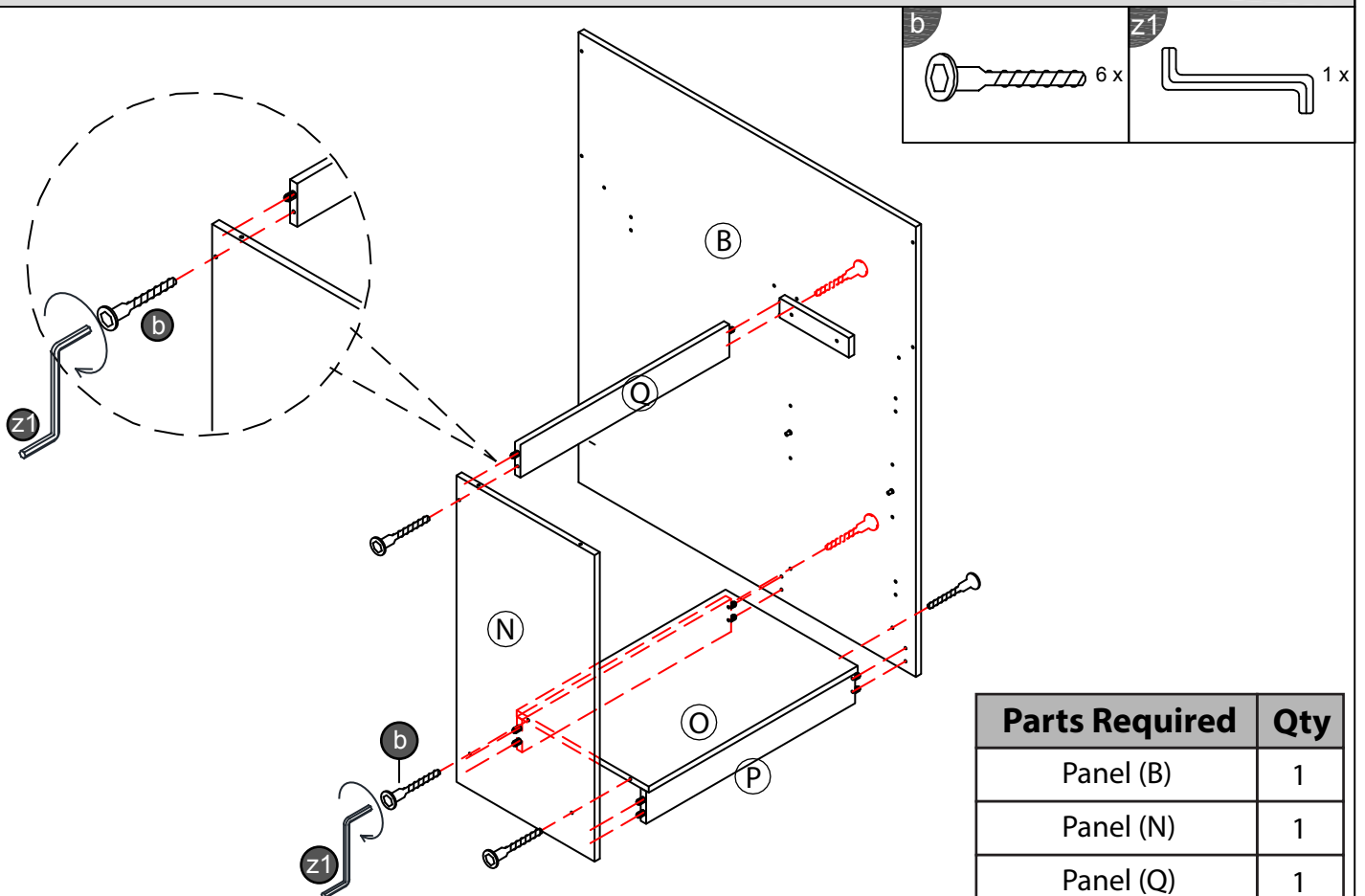


STEP 14



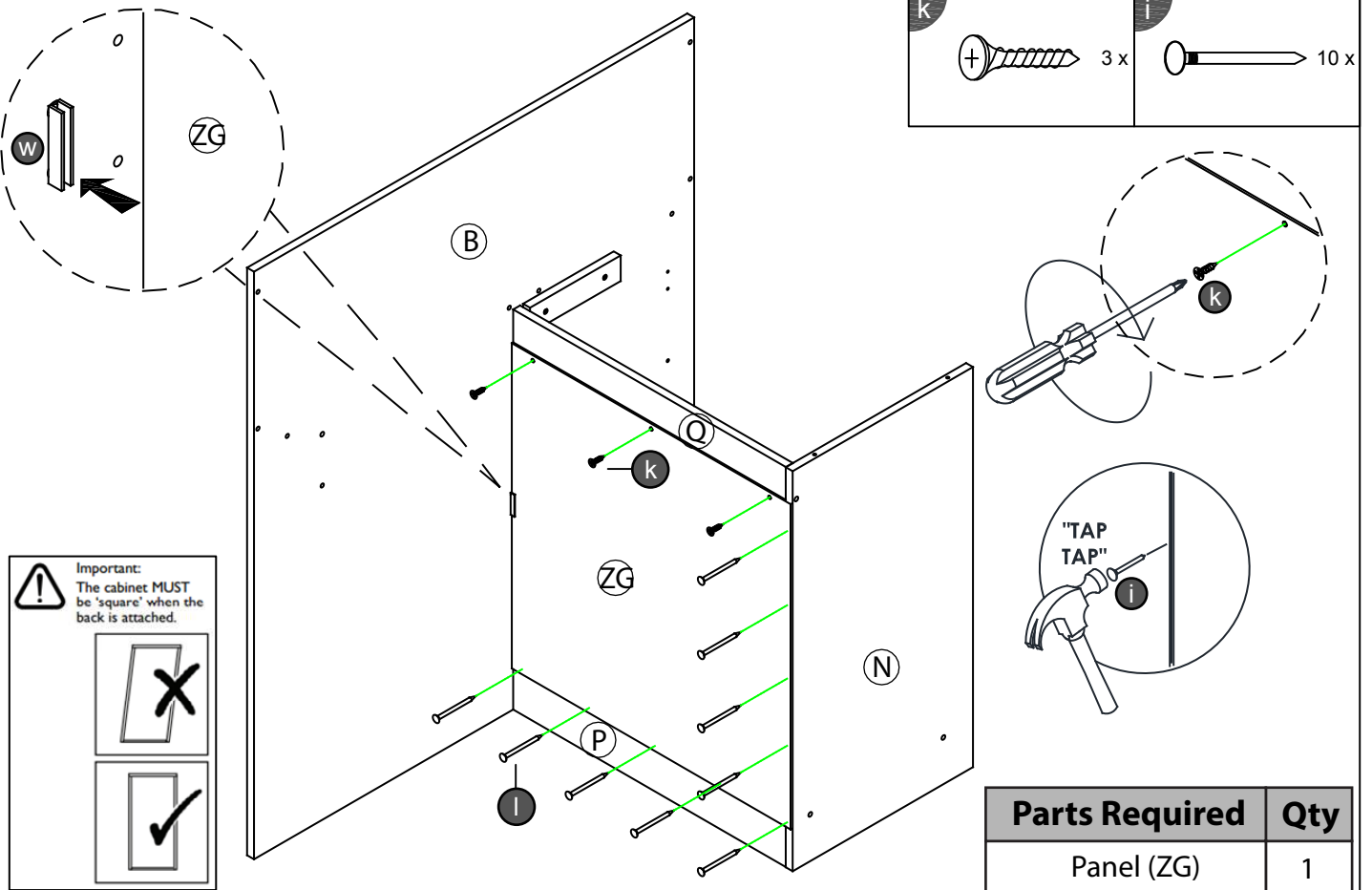
Parts Required	Qty
Panel (O)	1
Panel (P)	2

STEP 15



Parts Required	Qty
Panel (B)	1
Panel (N)	1
Panel (Q)	1

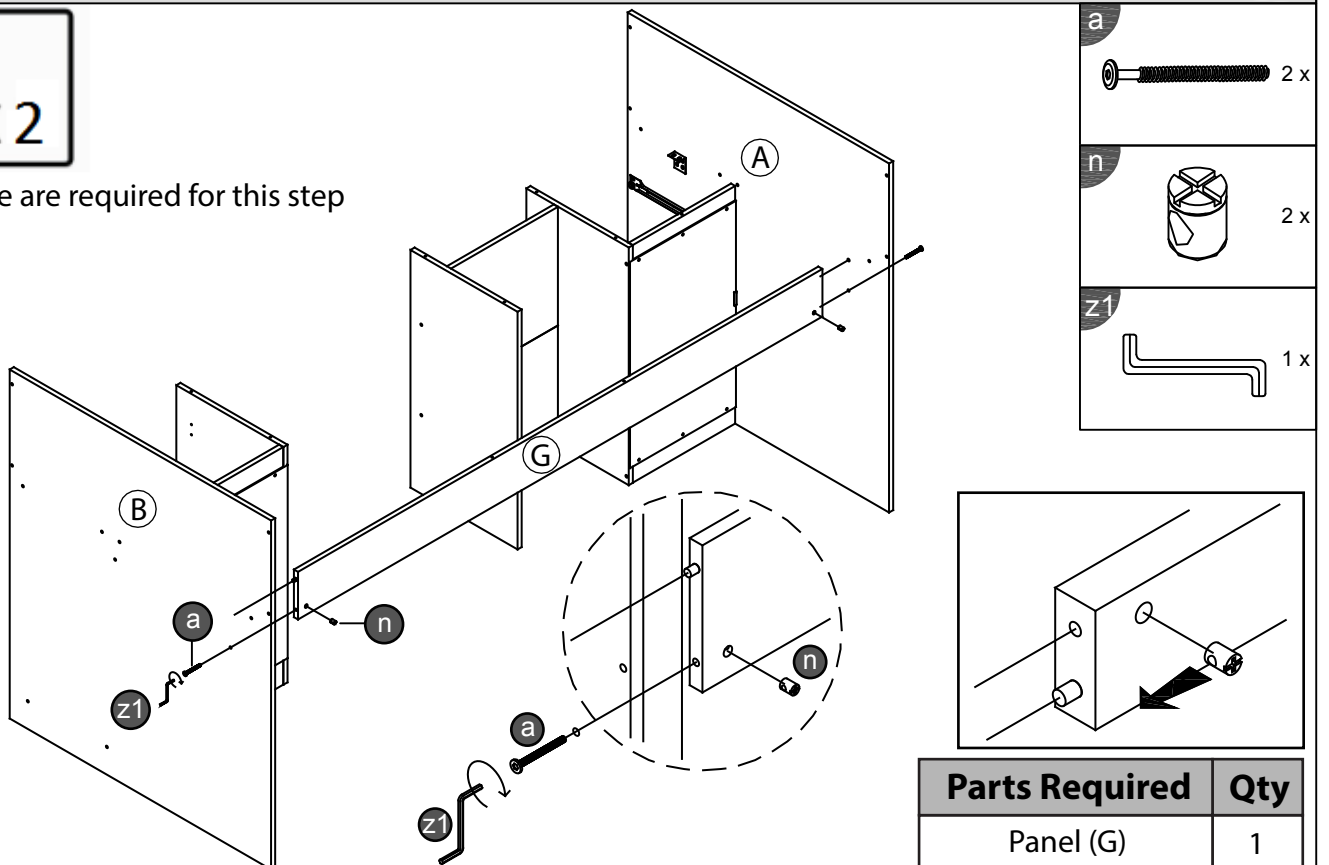
STEP 16



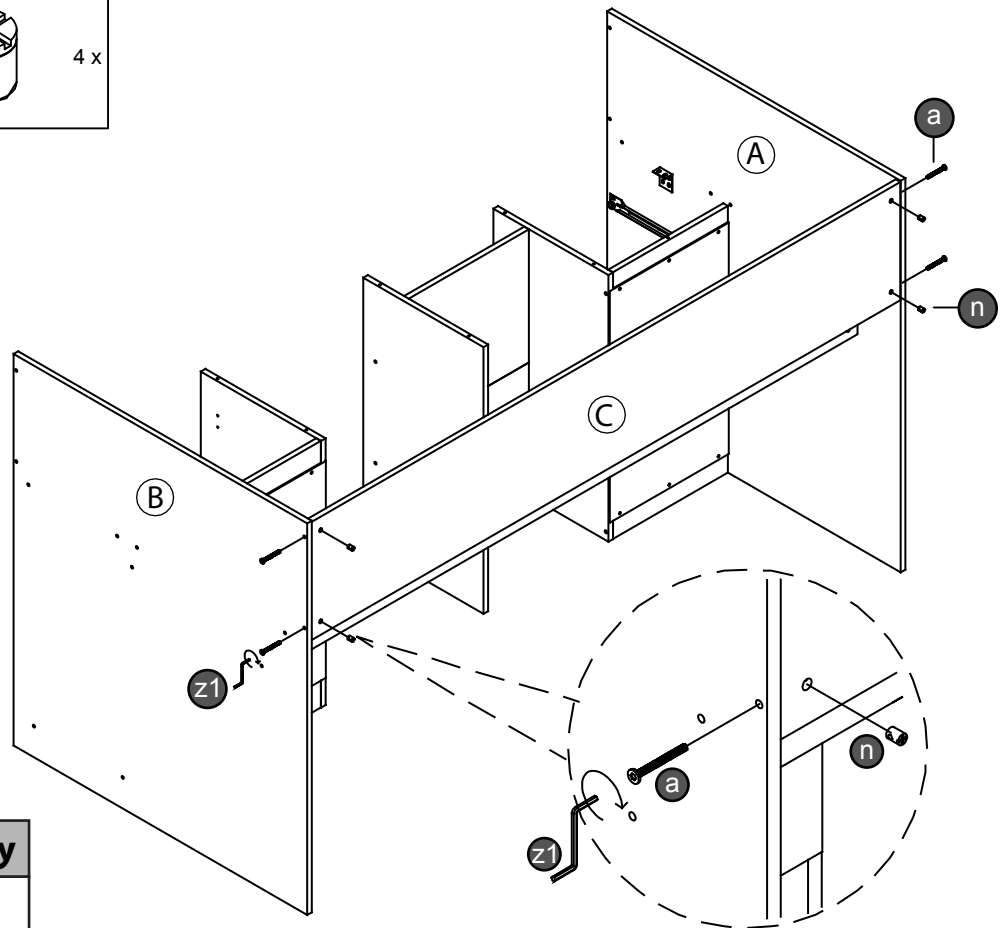
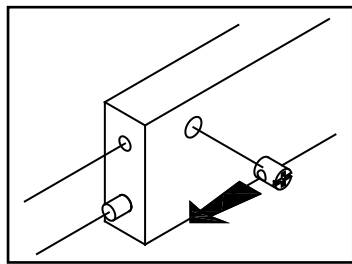
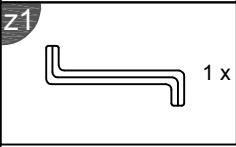
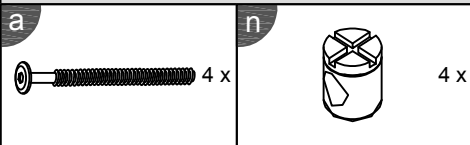
STEP 17



2 people are required for this step

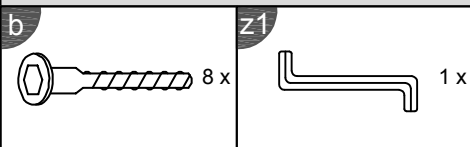


STEP 18

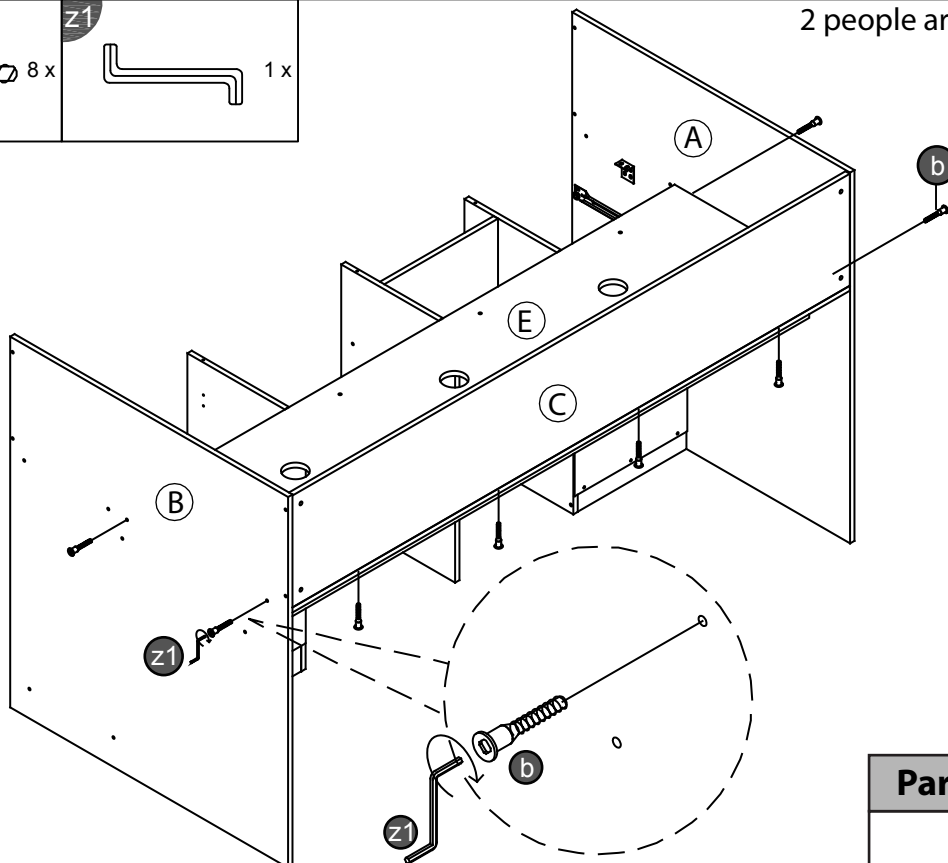
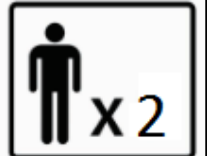


Parts Required	Qty
Panel (C)	1

STEP 19



2 people are required for this step

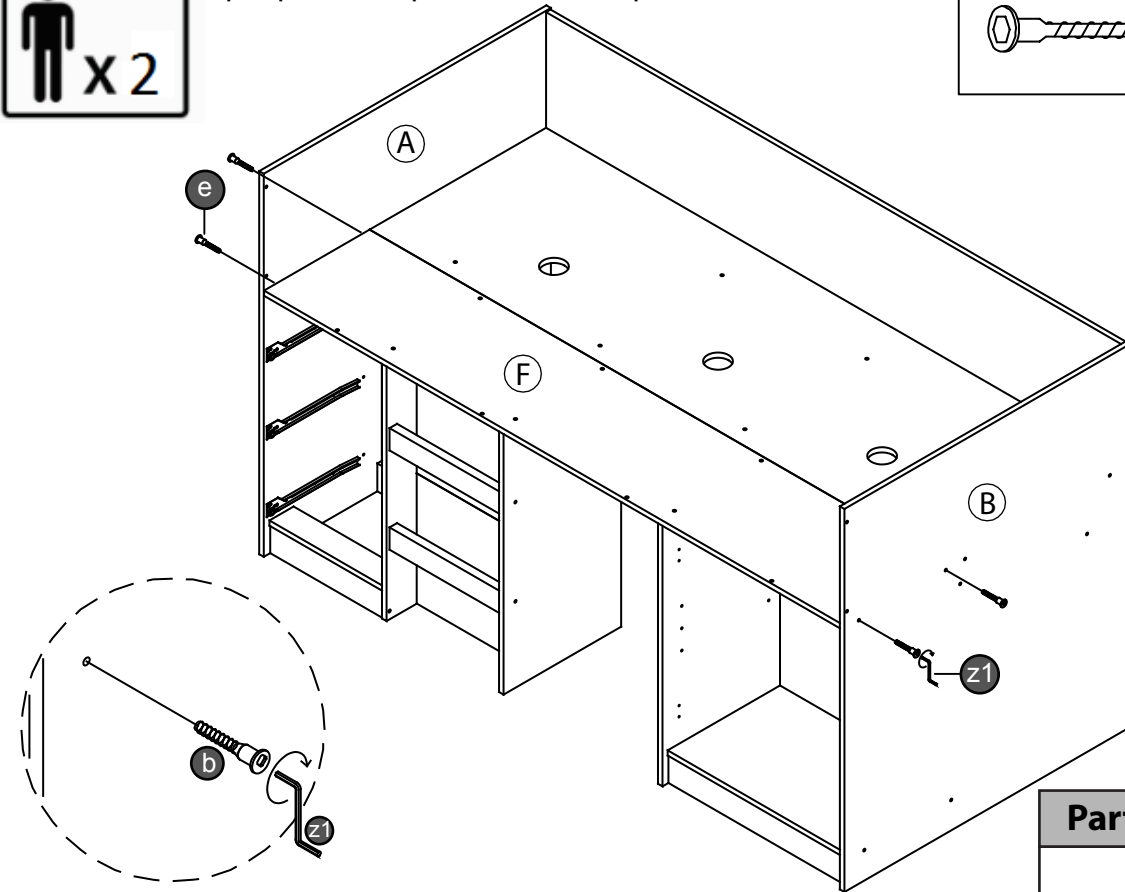
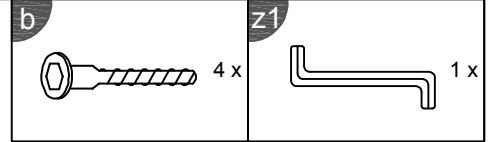


Parts Required	Qty
Panel (E)	1

STEP 20

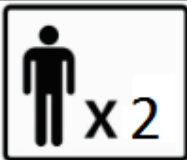


2 people are required for this step

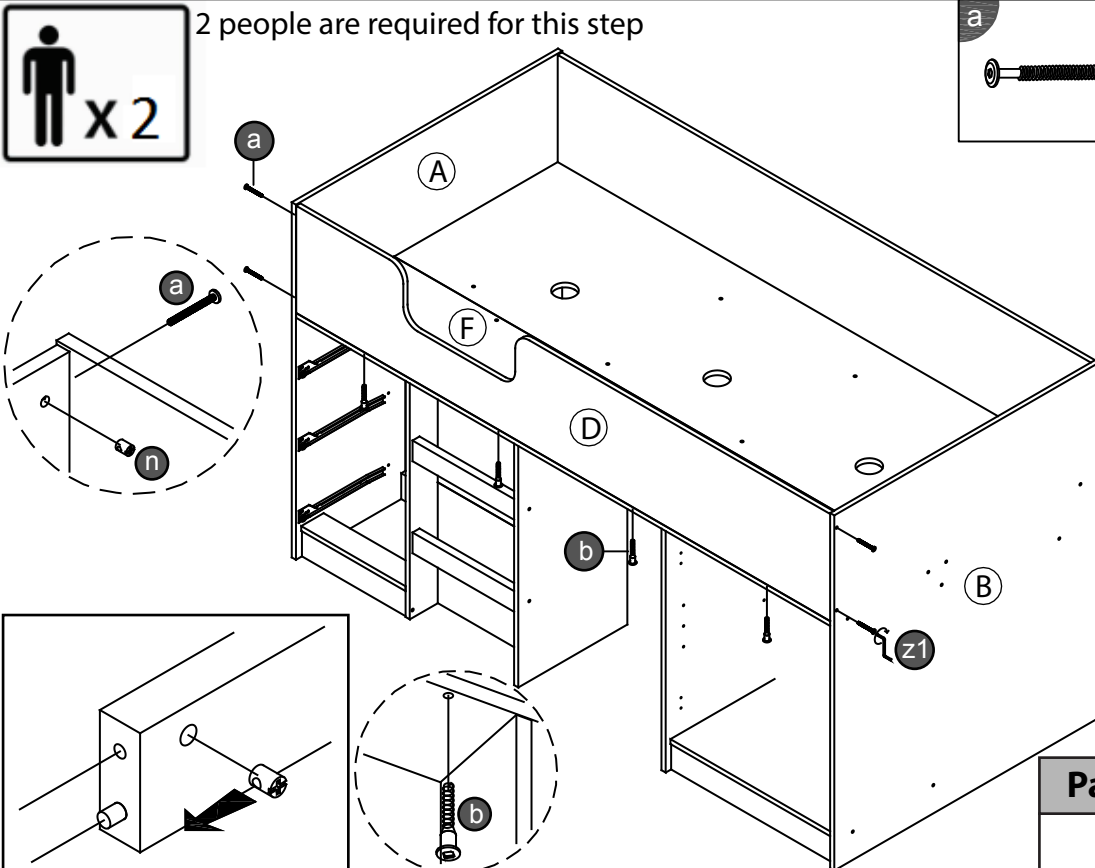
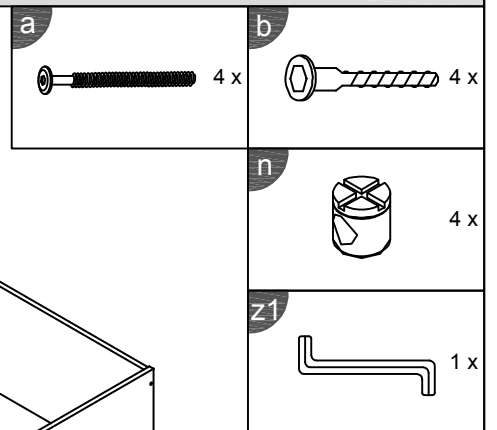


Parts Required	Qty
Panel (F)	1

STEP 21

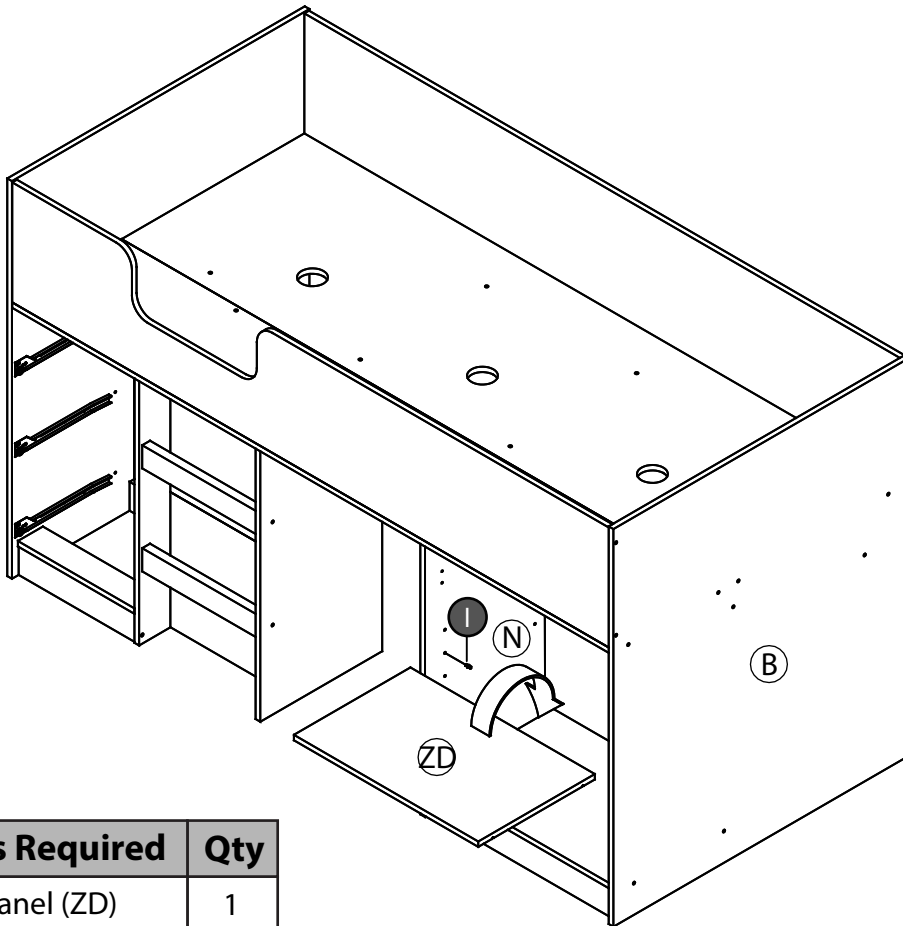


2 people are required for this step



Parts Required	Qty
Panel (D)	1

STEP 22

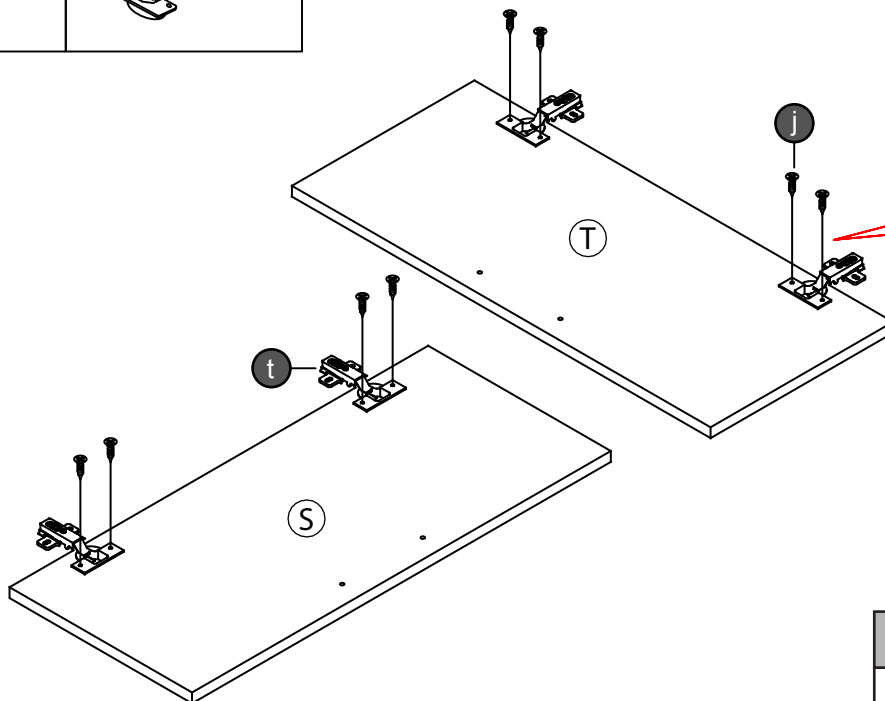
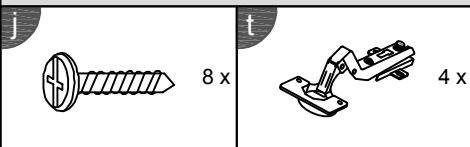


I 4 x

Parts Required	Qty
----------------	-----

Panel (ZD)	1
------------	---

STEP 23

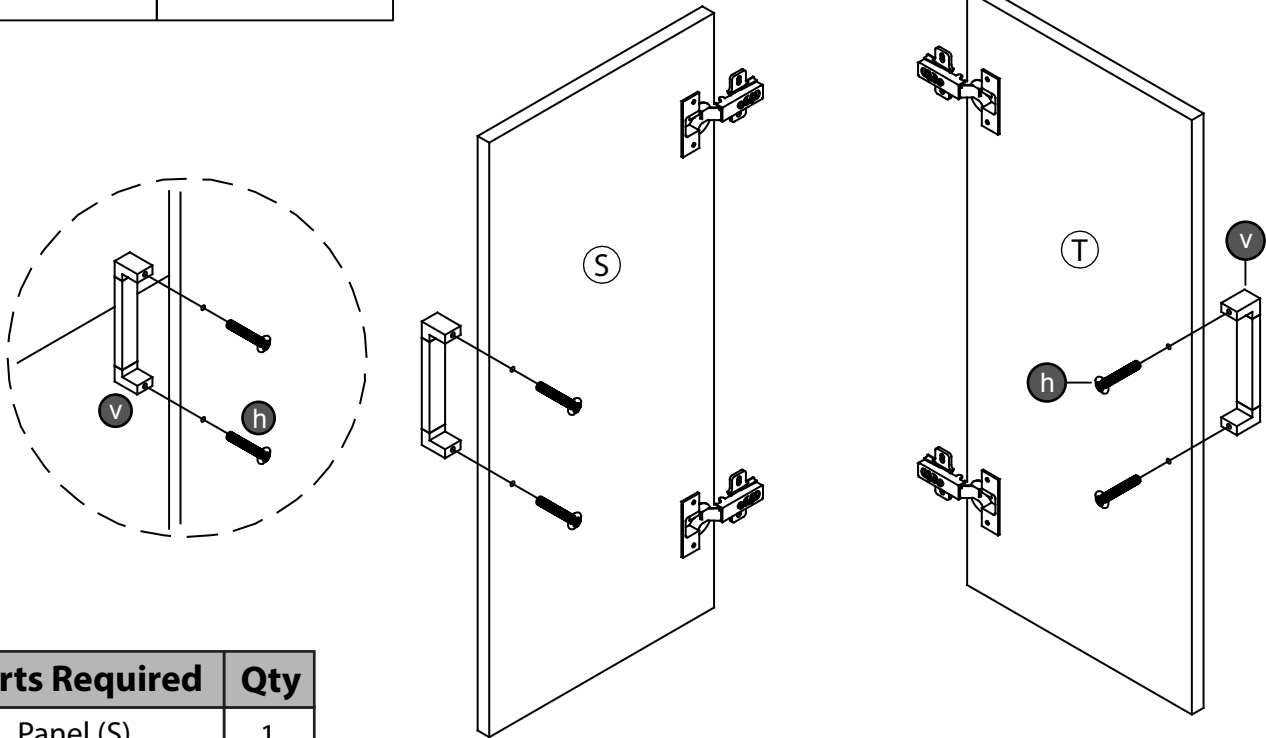
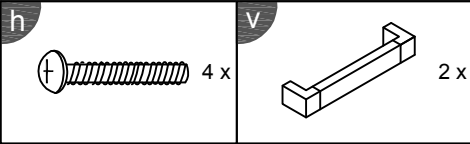


Parts Required	Qty
----------------	-----

Panel (S)	1
-----------	---

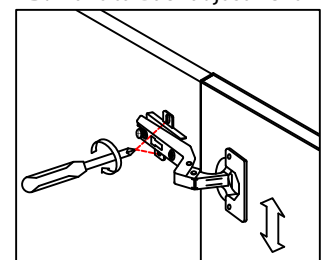
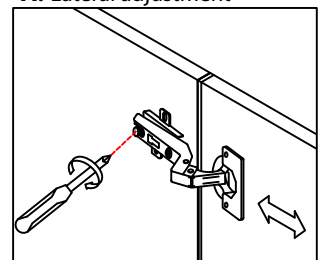
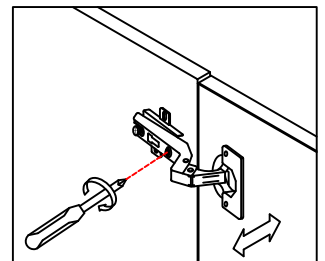
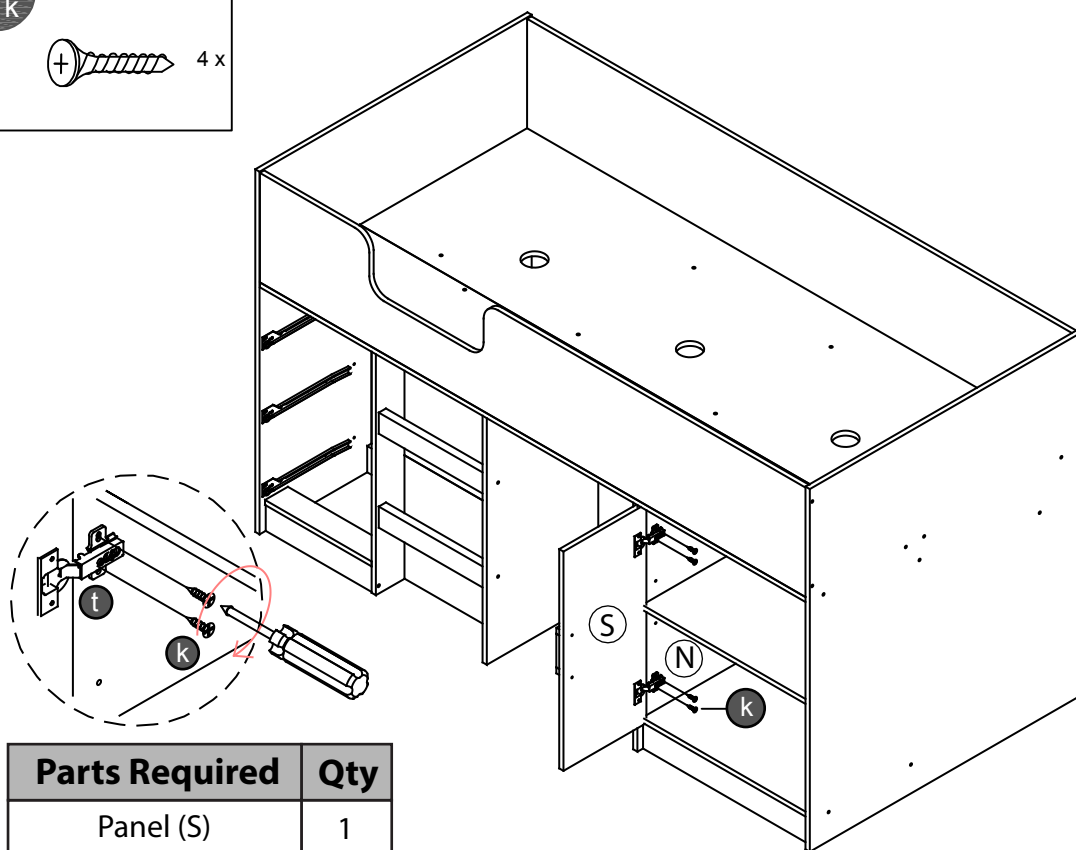
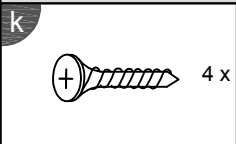
Panel (T)	1
-----------	---

STEP 24



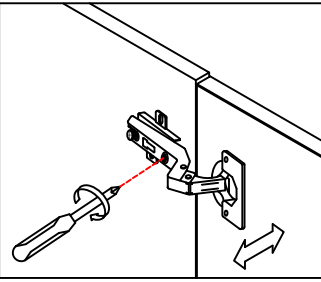
Parts Required	Qty
Panel (S)	1
Panel (T)	1

STEP 25

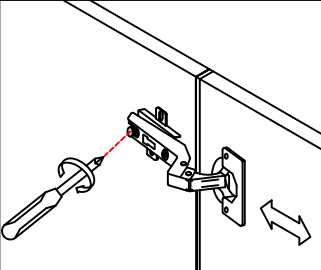


Parts Required	Qty
Panel (S)	1

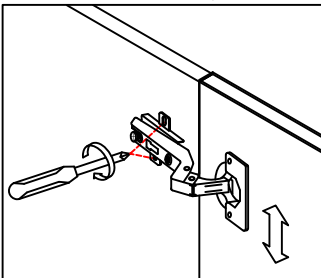
STEP 26



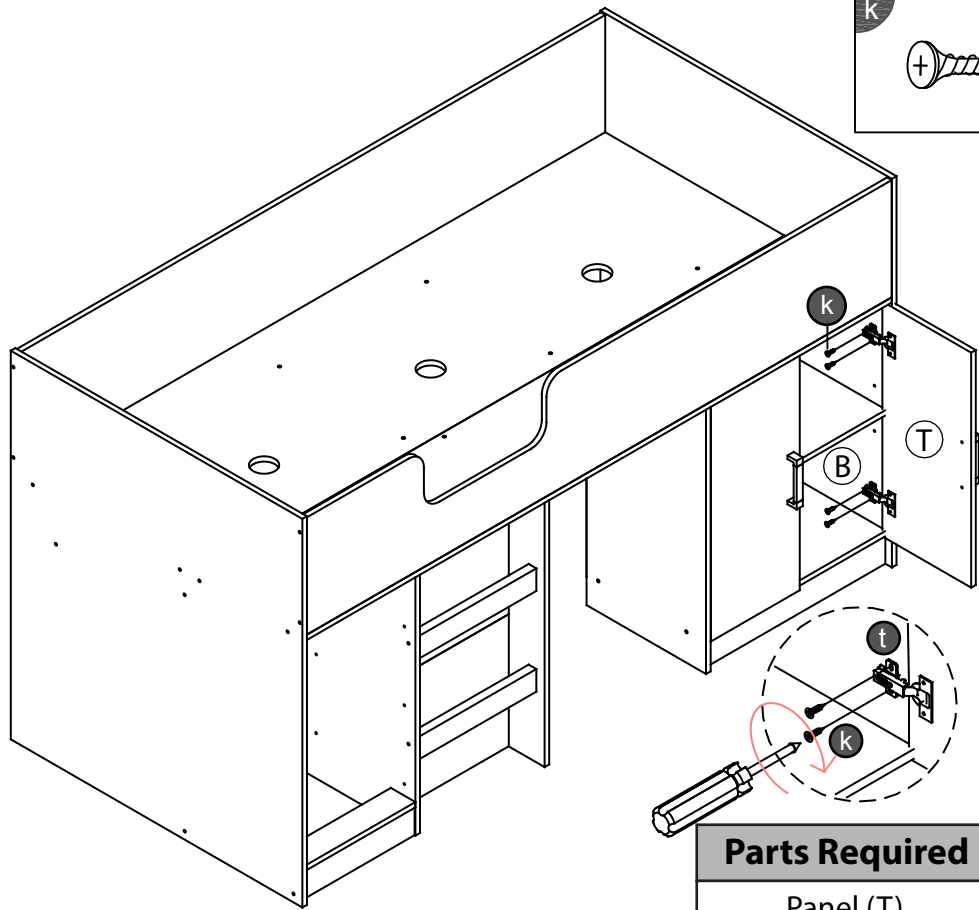
A. Lateral adjustment



B. Front-to-Back adjustment

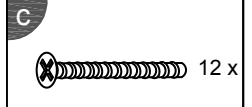
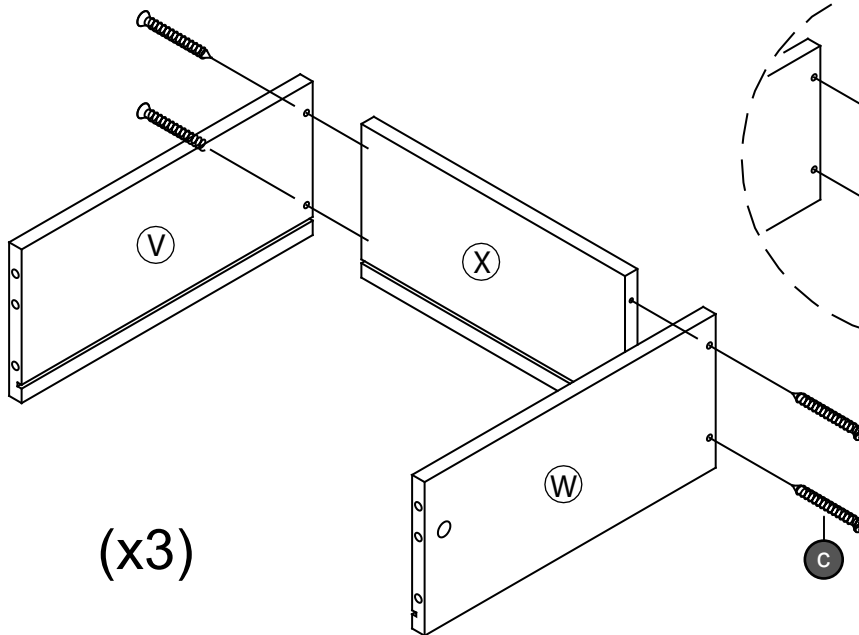


C. Vertical Adjustment



Parts Required	Qty
Panel (T)	1

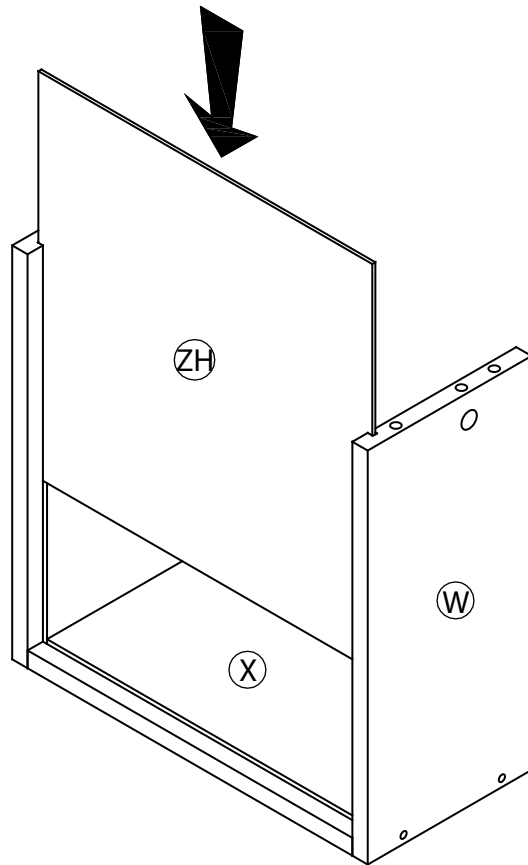
STEP 27



(x3)

Parts Required	Qty
Panel (V)	3
Panel (X)	3
Panel (W)	3

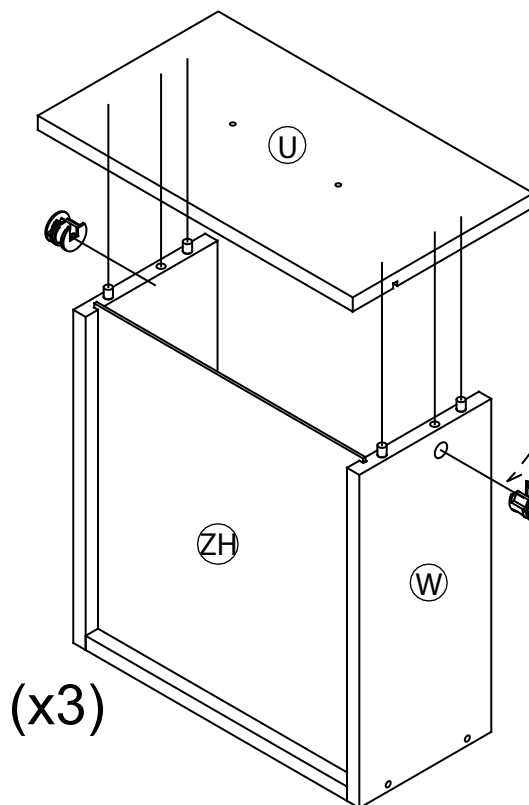
STEP 28



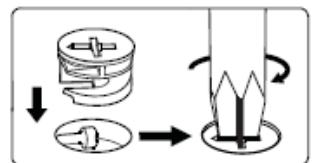
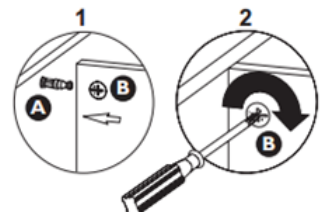
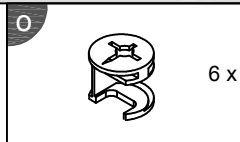
(x3)

Parts Required	Qty
Panel (ZH)	3

STEP 29

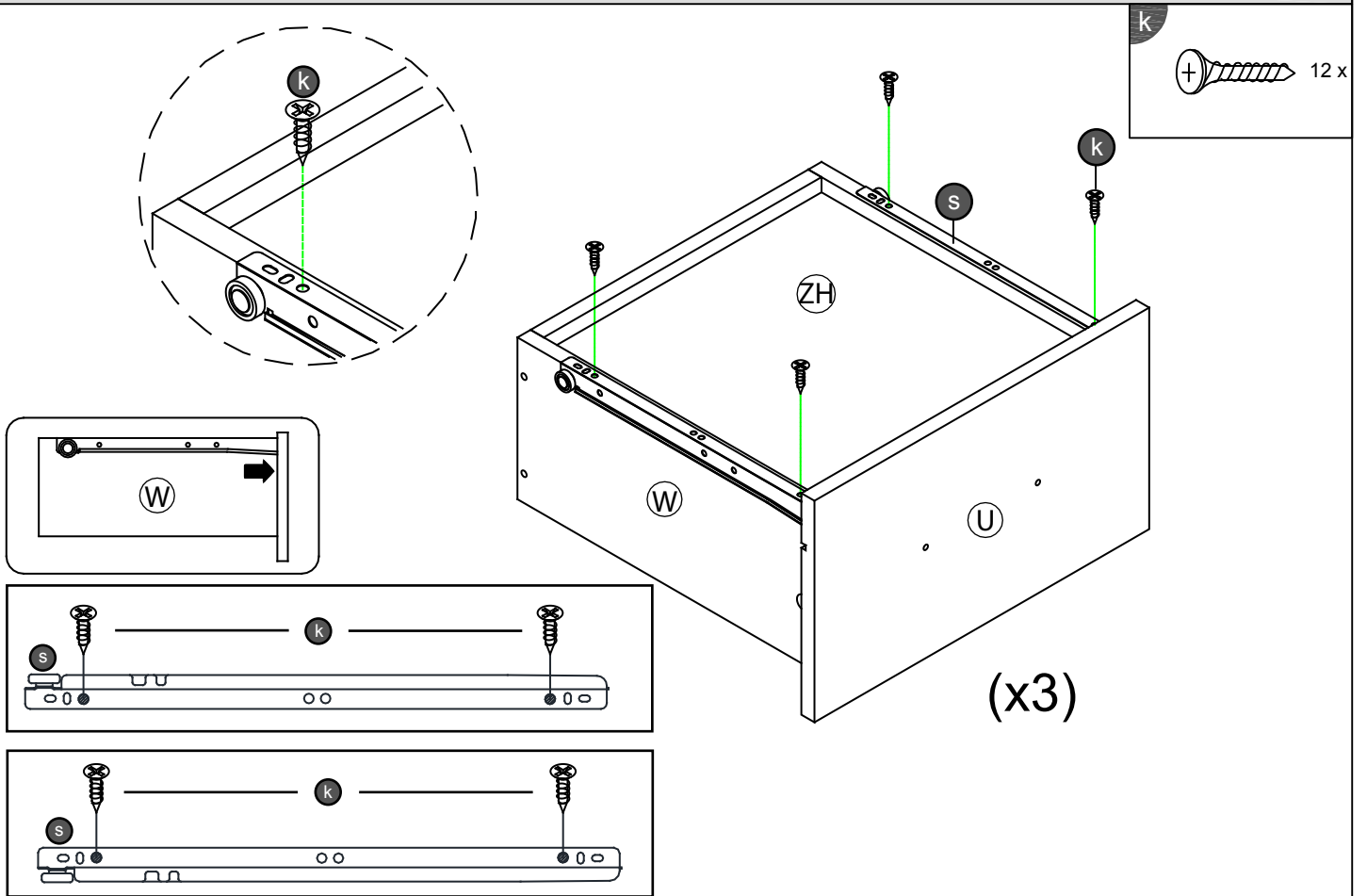


(x3)

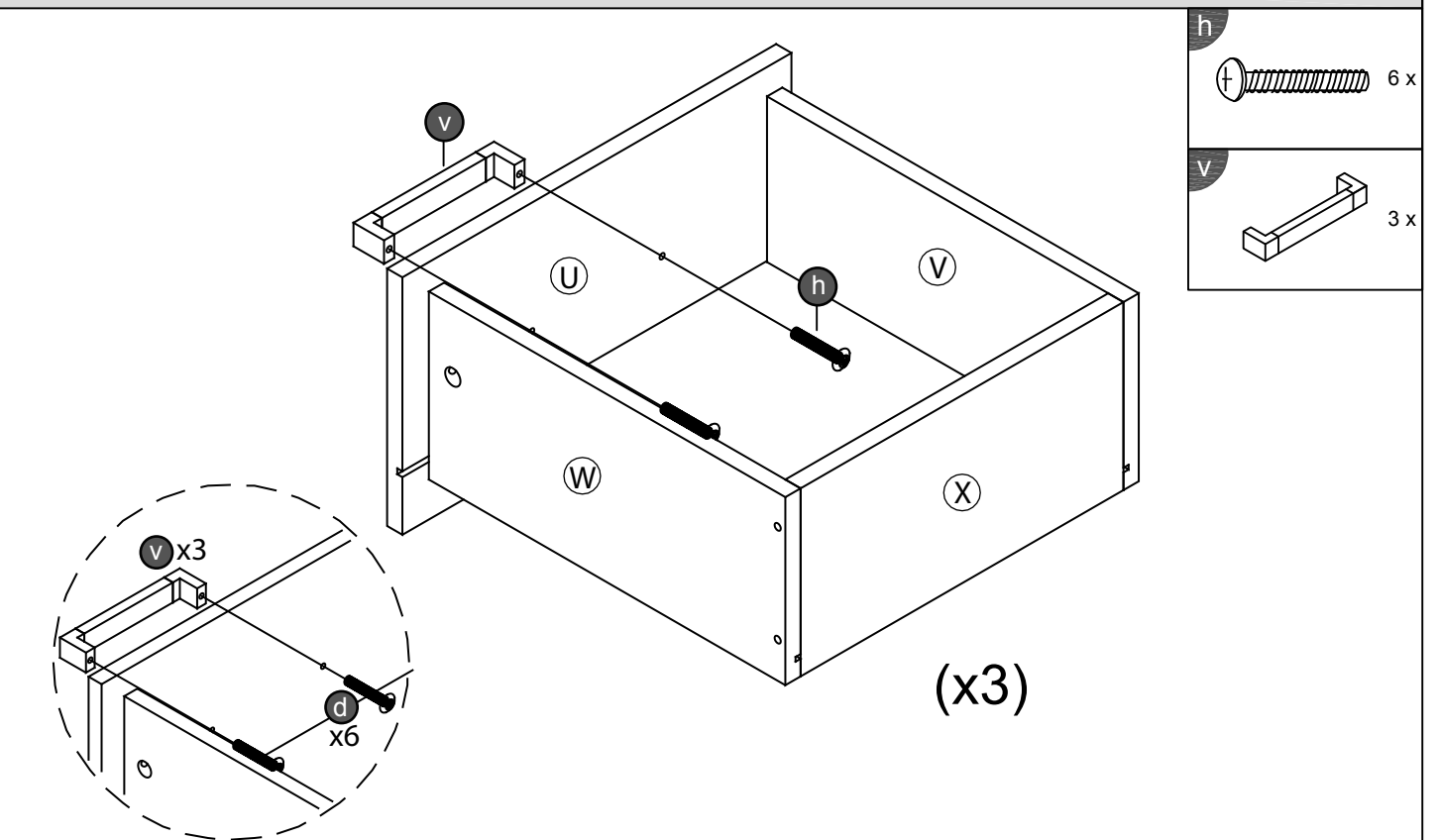


Parts Required	Qty
Panel (U)	3

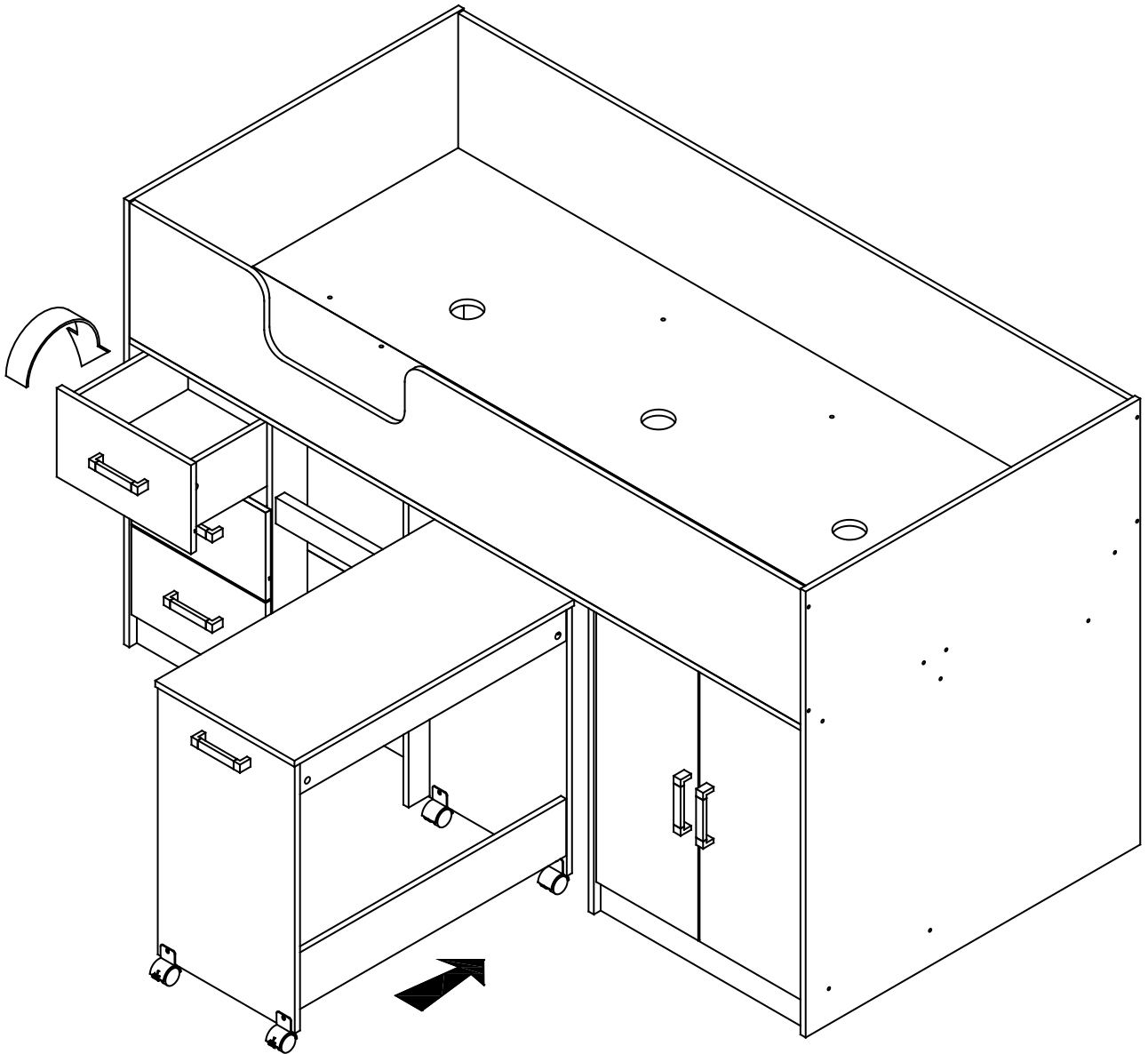
STEP 30



STEP 31



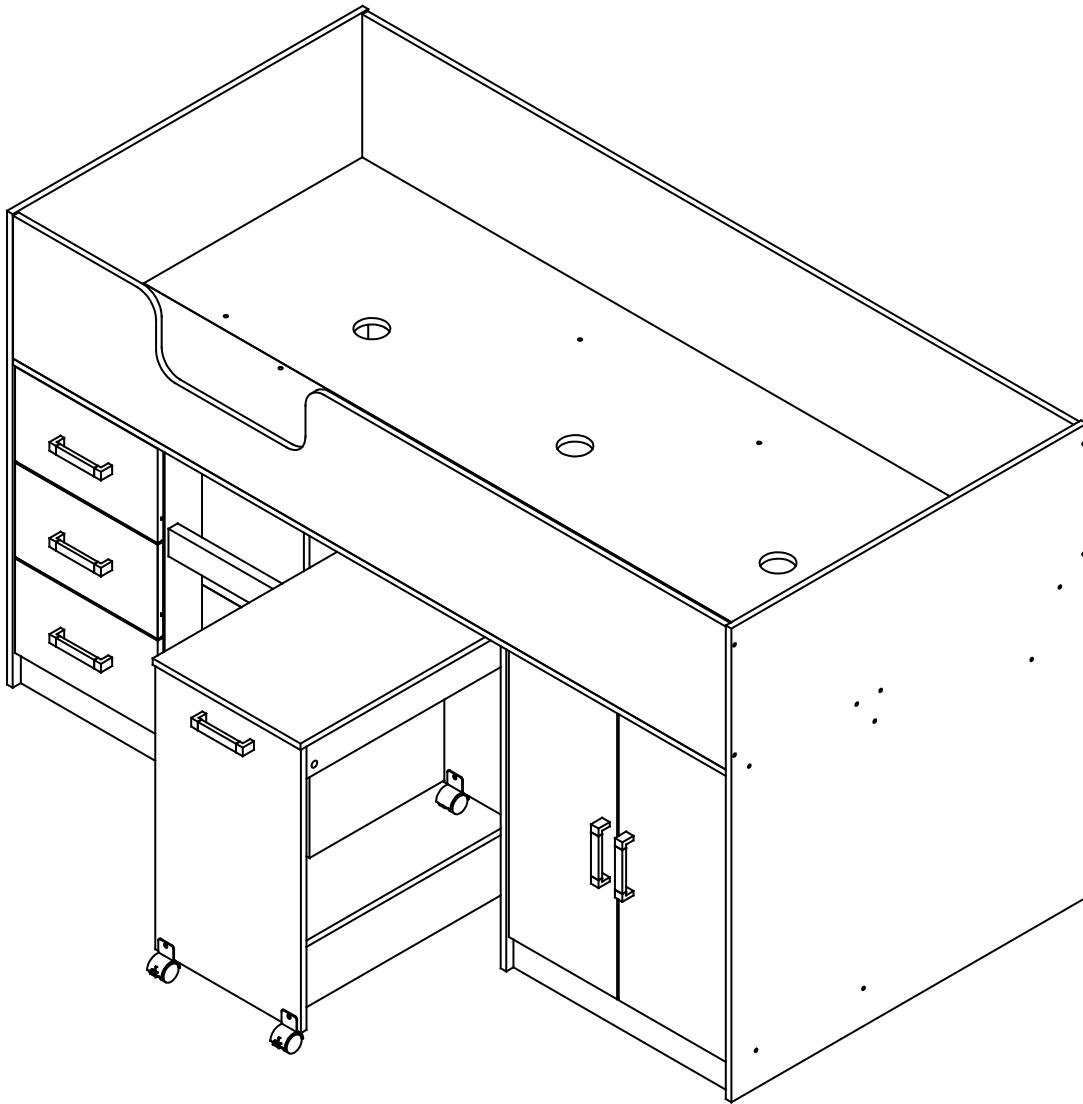
STEP 32



Complete Assembly

Your **NEW OTTAWA MIDSLEEPER** is now completely assembled

Periodically check to ensure that the components are in their proper position, free from damage. Also, make sure the connectors are tight and secure.



Keep instructions for future reference

