



# Birlea

Suppliers of inspiration

Vendor: S000238



## ASSEMBLY INSTRUCTIONS

### 4'6 CORONA LOW END BED

**IMPORTANT: READ THESE INSTRUCTIONS CAREFULLY BEFORE ASSEMBLING OR USING YOUR 4'6 CORONA LOW END BED.**

**PLEASE KEEP THESE INSTRUCTIONS FOR FUTURE REFERENCE.**

#### **HEALTH & SAFETY:**

DO NOT jump on this bed frame.

DO NOT use this bed frame if any parts are missing, damaged or worn.

DO NOT use this bed frame unless all fixings are secured.

Always use on a level, even surface.

**WARNING:** If this bed is placed on a non-carpeted floor you must place some protection under all legs to stop the bed frame from moving. If this is not adhered to there is no guarantee if the bed frame collapses.

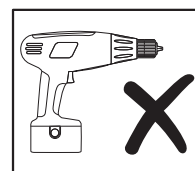
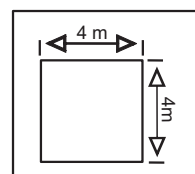
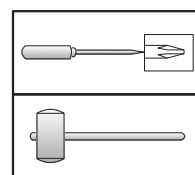
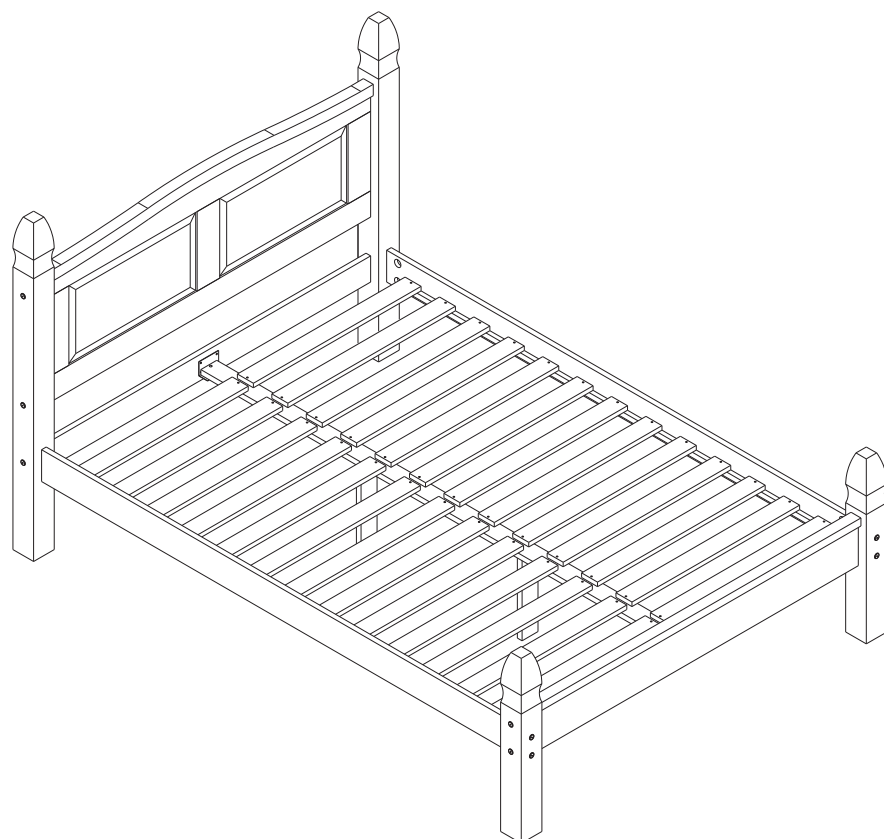
#### **CARE & MAINTENANCE:**

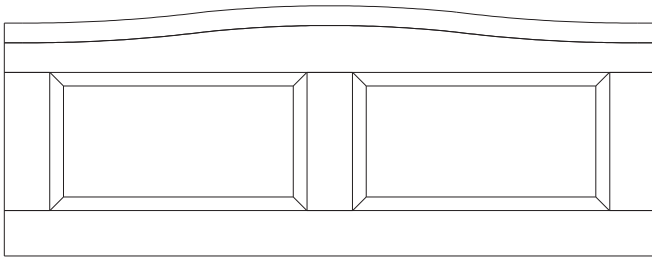
Periodically check all screws & fixings to ensure they are secure.

DO NOT push the bed frame as this will damage the legs.

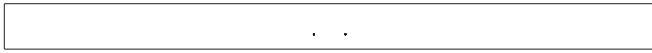
Always lift the bed with two people to reposition.

Keep any sharp objects away from the frame.

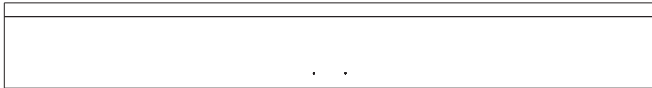




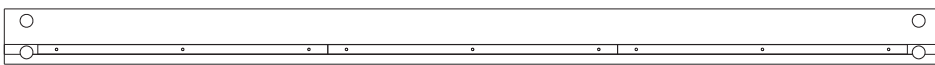
1 Headboard panel (132 x 50.6cm)



2 Headboard rail (132 x 9.2cm)



3 Footboard panel (132 x 17.3cm)



8 Side rail x 2 (190 x 11.2cm)



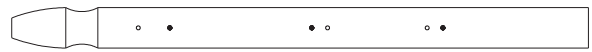
9 Centre rail (195.5 x 6.5cm)



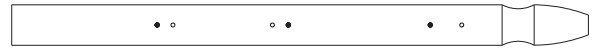
10 Slat x 26 (68.2 x 6.5cm)



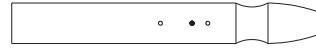
11 Support leg x 2 (28.3 x 6.5cm)



4 Left headboard post (117 x 8.2cm)



5 Right headboard post (117 x 8.2cm)

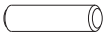

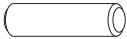



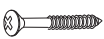
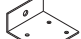




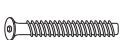
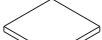


6 Left footboard post (63 x 8.2cm)

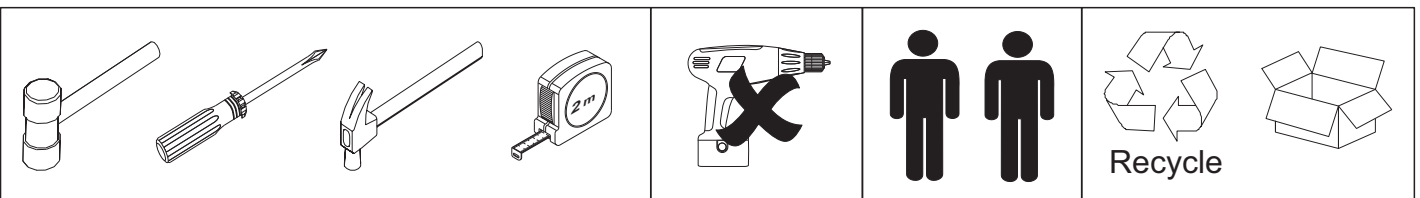


7 Right footboard post (63 x 8.2cm)

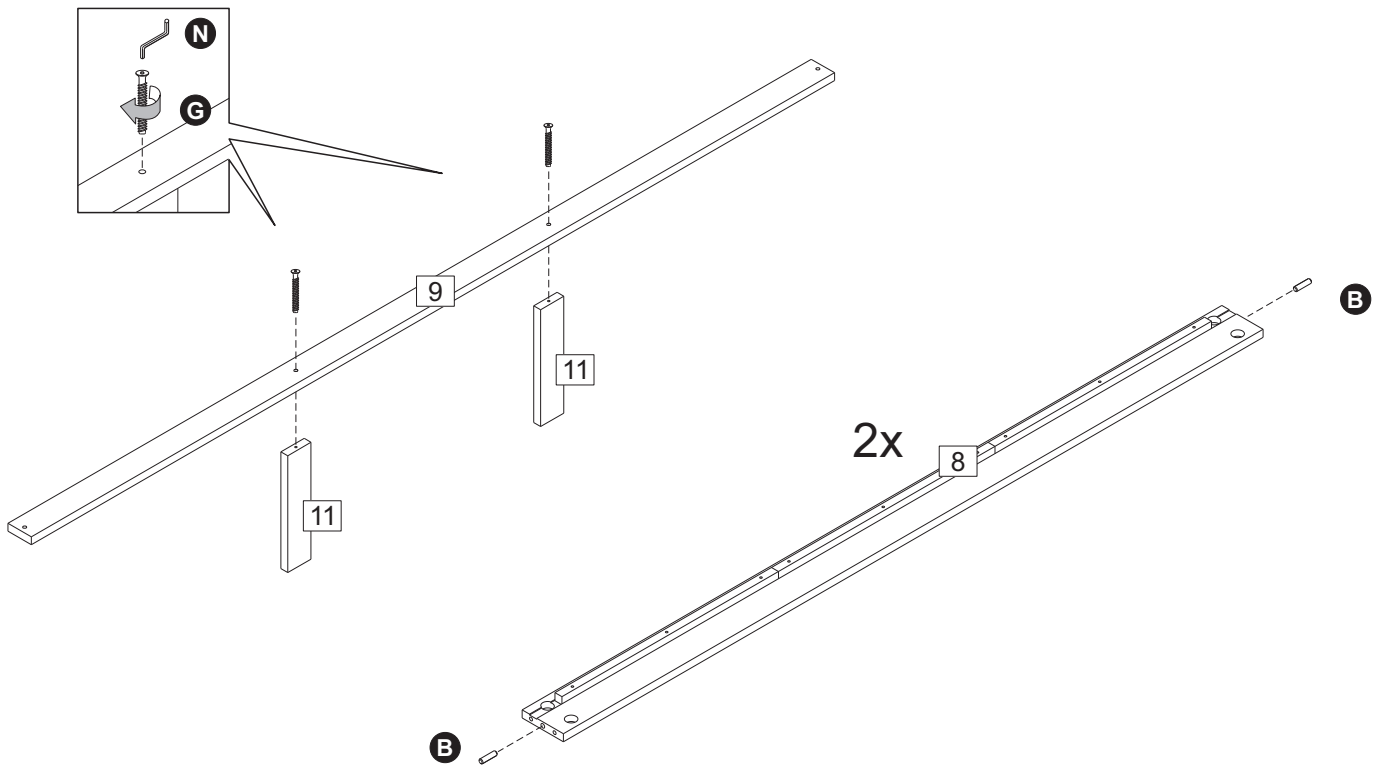
### HARDWARE LIST

Part	Item	Qty	Part	Item	Qty
<b>A</b>	30mm dowel 	8	<b>H</b>	120mm Bolt 	10
<b>B</b>	40mm dowel 	4	<b>J</b>	130mm Bolt 	8
<b>C</b>	16mm Screw 	8	<b>K</b>	Half moon nut 	8
<b>D</b>	30mm Screw 	52	<b>L</b>	Metal bracket 	2
<b>E</b>	32mm Bolt 	2	<b>M</b>	Round metal stud 	4
<b>F</b>	Nut 	2	<b>N</b>	Allen key 	1
<b>G</b>	50mm Bolt 	2	<b>O</b>	Spacer 	2

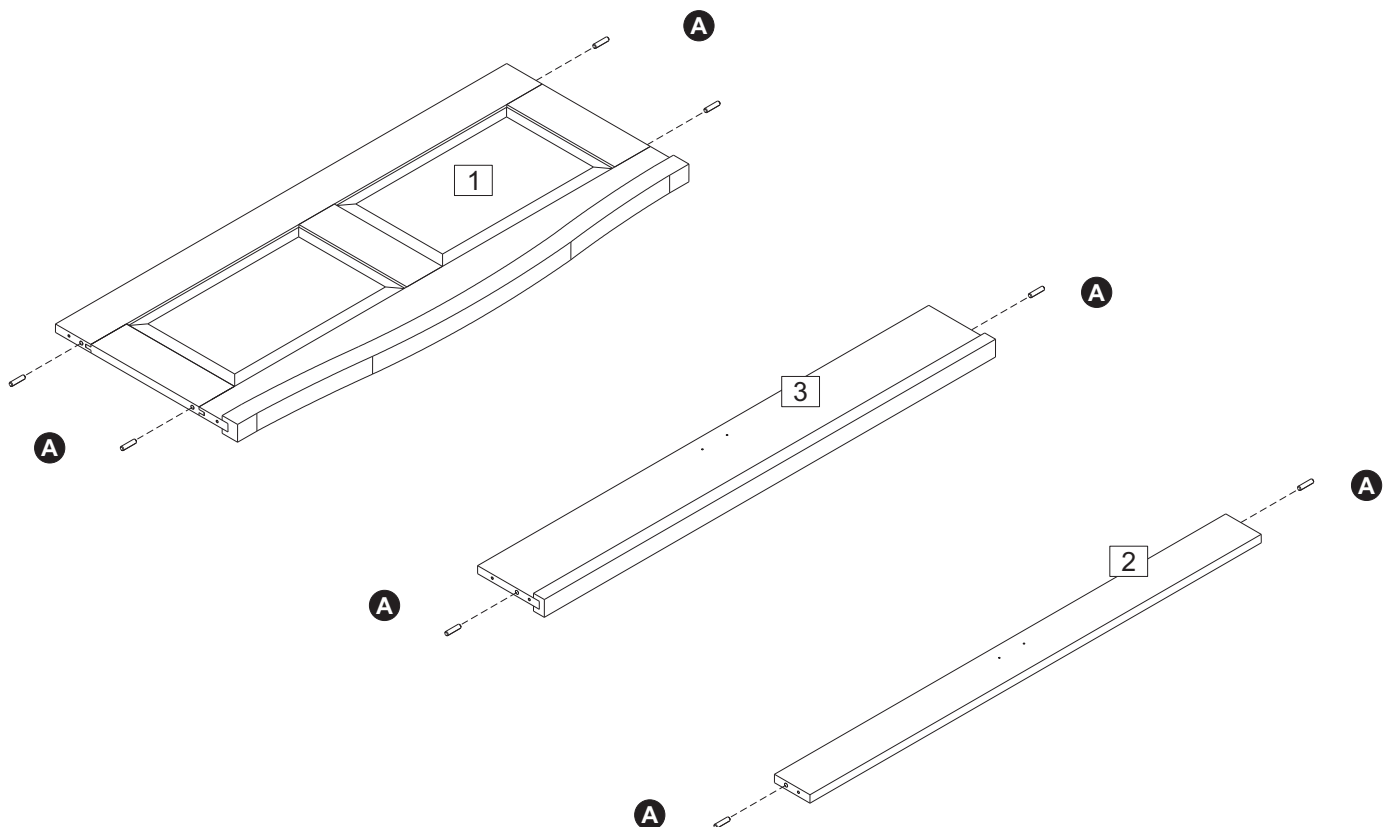
You will need a screwdriver, small mallet and M11 spanner (not provided).



**Step 1:** Join the support legs (11) to the centre rail using hardware N and G.  
 Insert hardware part B to the side rails (8) using a small mallet (not provided).  
**DO NOT use any power tools as this may damage the frame and will invalidate any claim.**



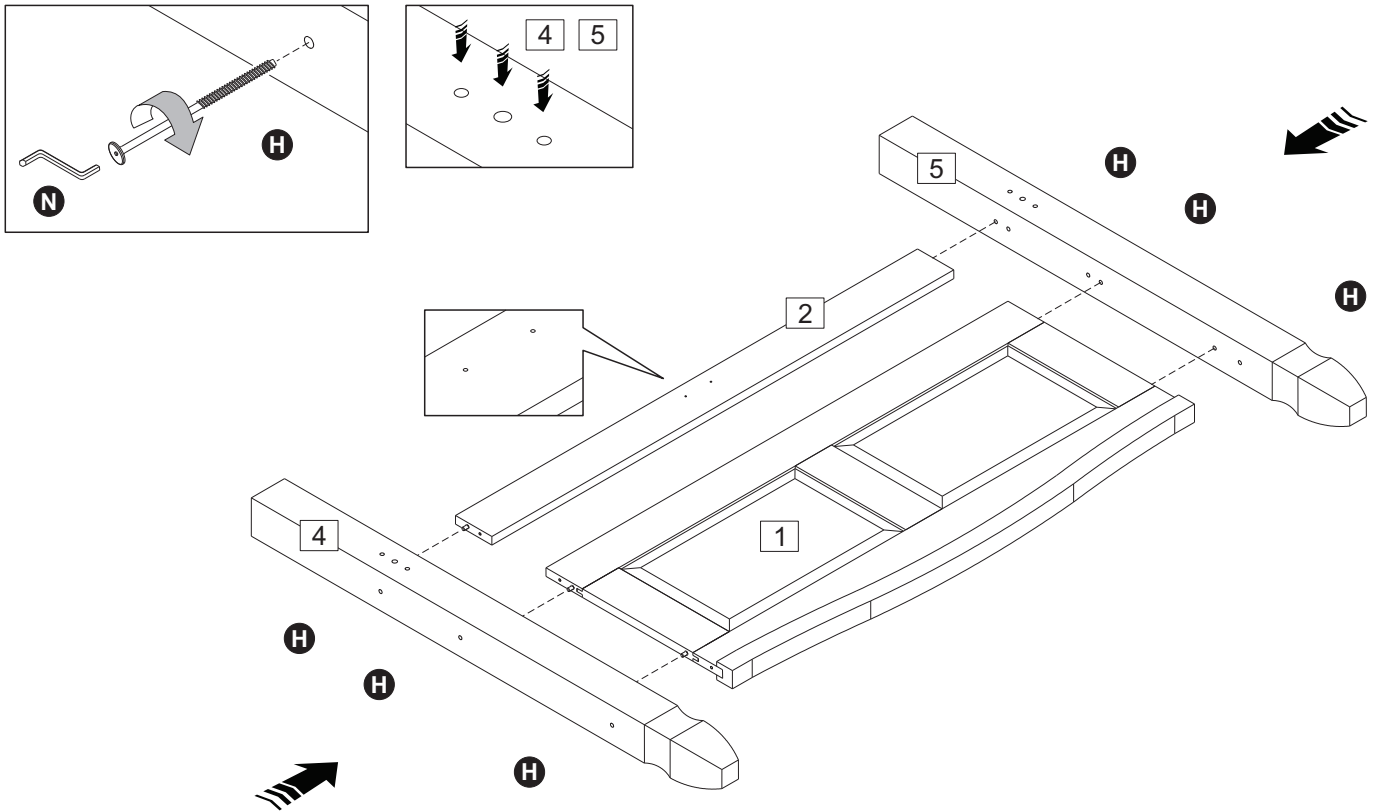
**Step 2:** Insert hardware part A to the headend panel (1), footboard panel (3) and Headboard rail (2) using a small mallet (not provided).



**Step 3:** Attach the left headend post (4) and right headend post (5) to the headend panel (1) using hardware parts N and H.

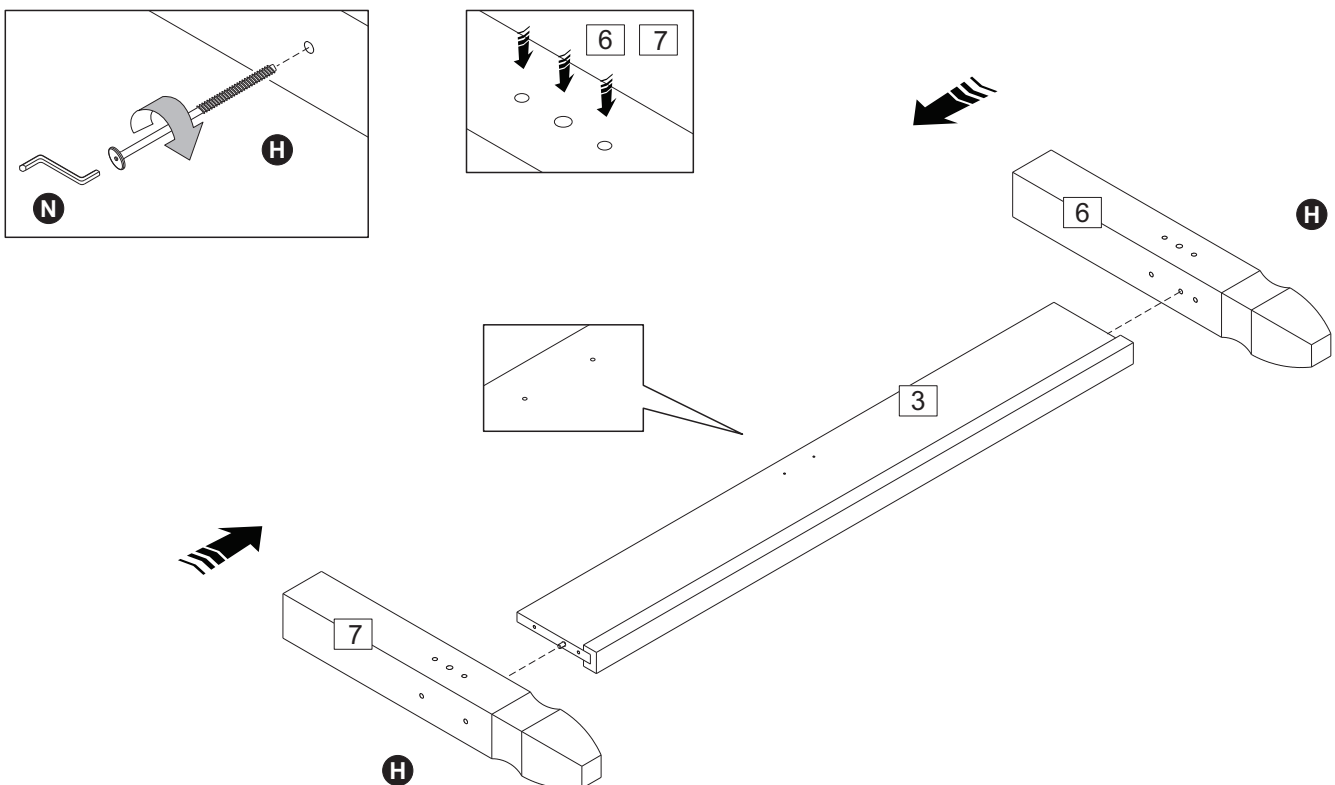
Code: S000238

**DO NOT use any power tools as this may damage the frame and will invalidate any claim.**



**Step 4:** Attach the left footend post (6) and right footend post (5) to the footend panel (3) using hardware parts N and H.

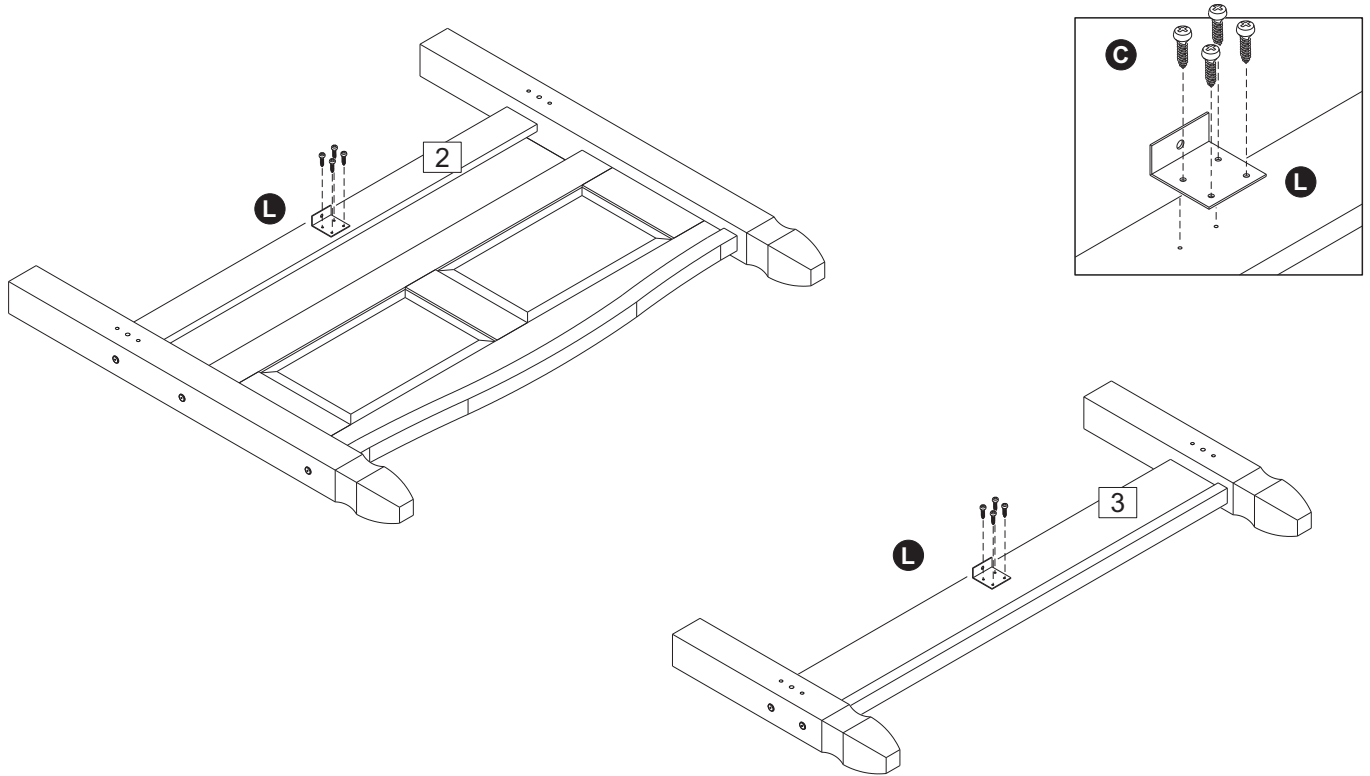
**DO NOT use any power tools as this may damage the frame and will invalidate any claim.**



**Step 5:** Fix hardware part L to the headend panel (1) and footend panel (3) using hardware part C and a screwdriver (not provided).

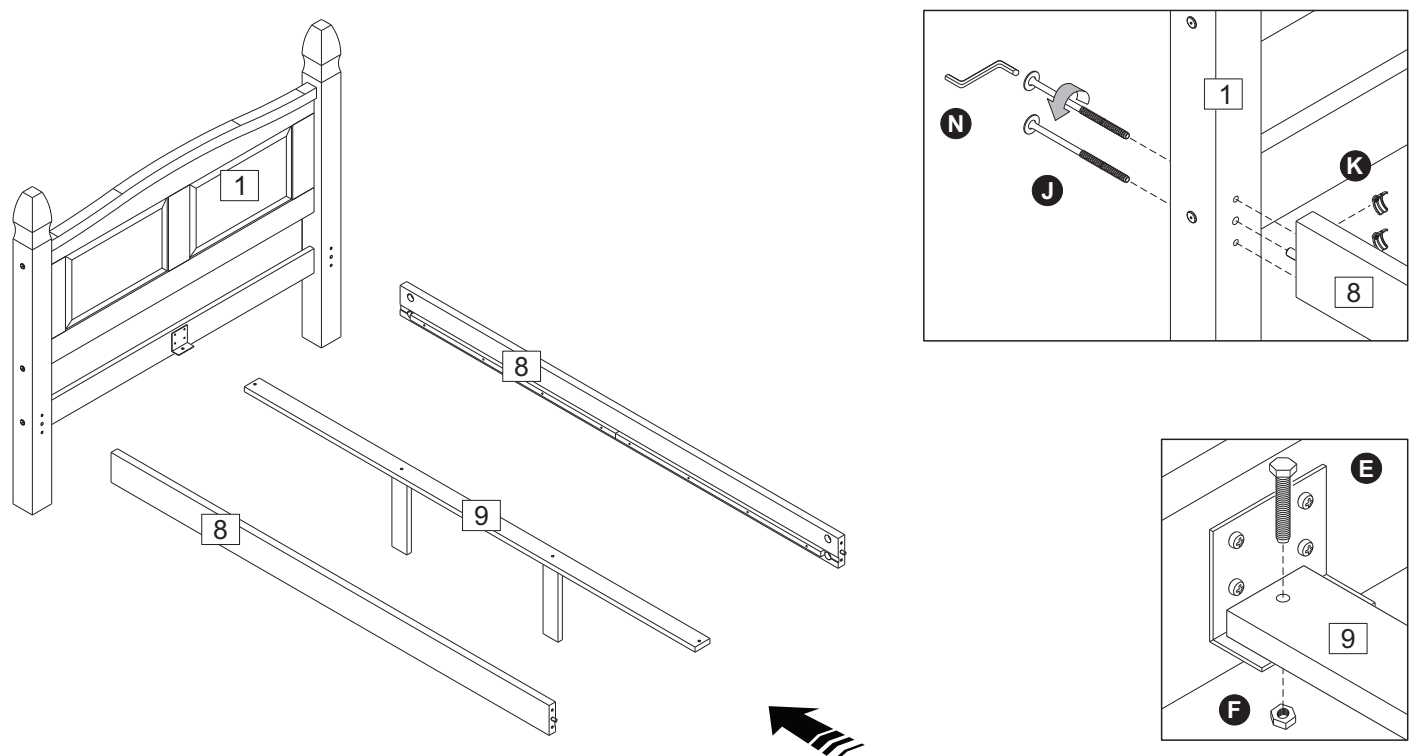
Code: S000238

**DO NOT use any power tools as this may damage the frame and will invalidate any claim.**



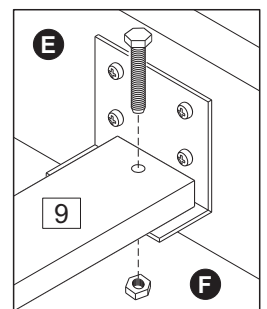
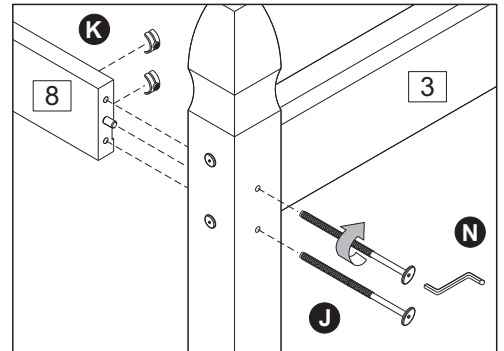
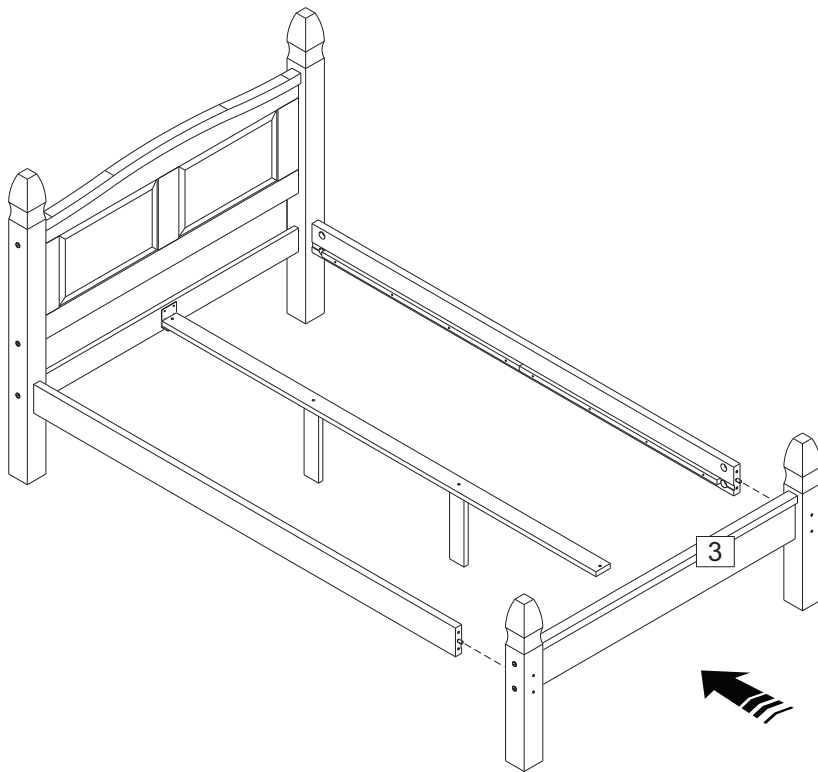
**Step 6:** Attach the side rails (8) to the headend posts using hardware parts N, J and K. Fix the centre rail (9) using hardware parts E and F with an M11 spanner (not provided).

**DO NOT use any power tools as this may damage the frame and will invalidate any claim.**

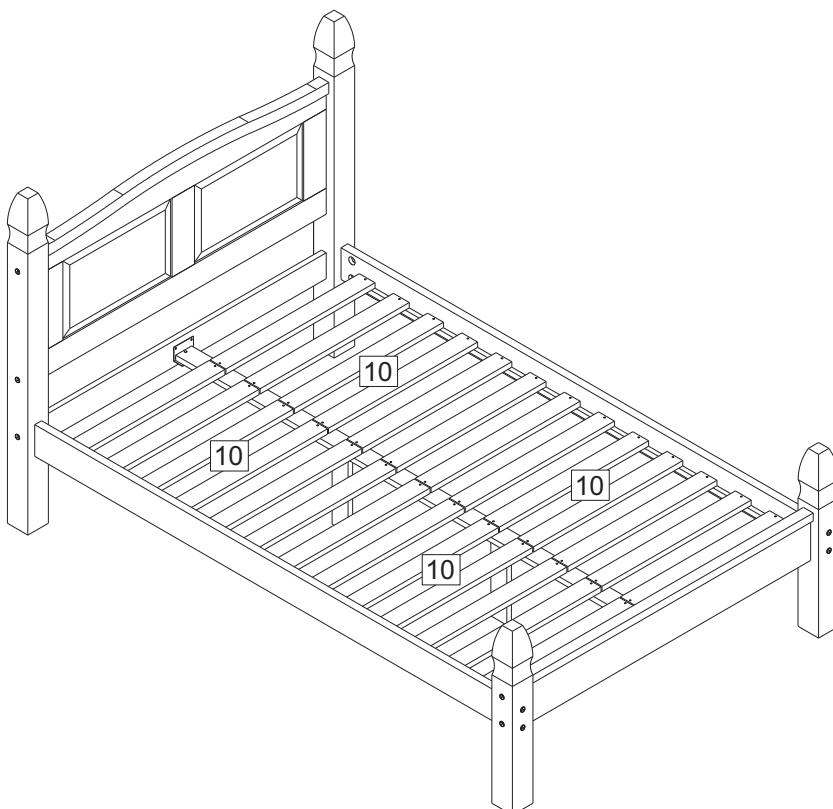


**Step 7:** Attach the footend using hardware parts N, J and K and fix the centre rail (9) in place using hardware parts E and F with an M11 spanner (not provided).  
**DO NOT use any power tools as this may damage the frame and will invalidate any claim.**

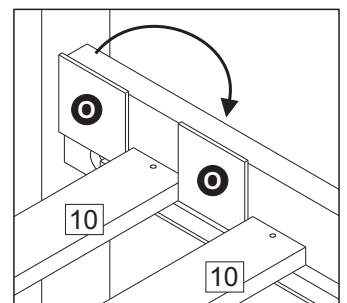
Code: S000238



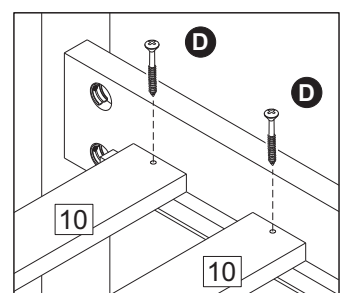
**Step 8:** Fix slats (10) to the side rails and centre rail using hardware parts O and D with a screwdriver (not provided).  
Make sure to start from the ends and work towards the middle.  
**DO NOT use any power tools as this may damage the frame and will invalidate any claim.**



**a:**



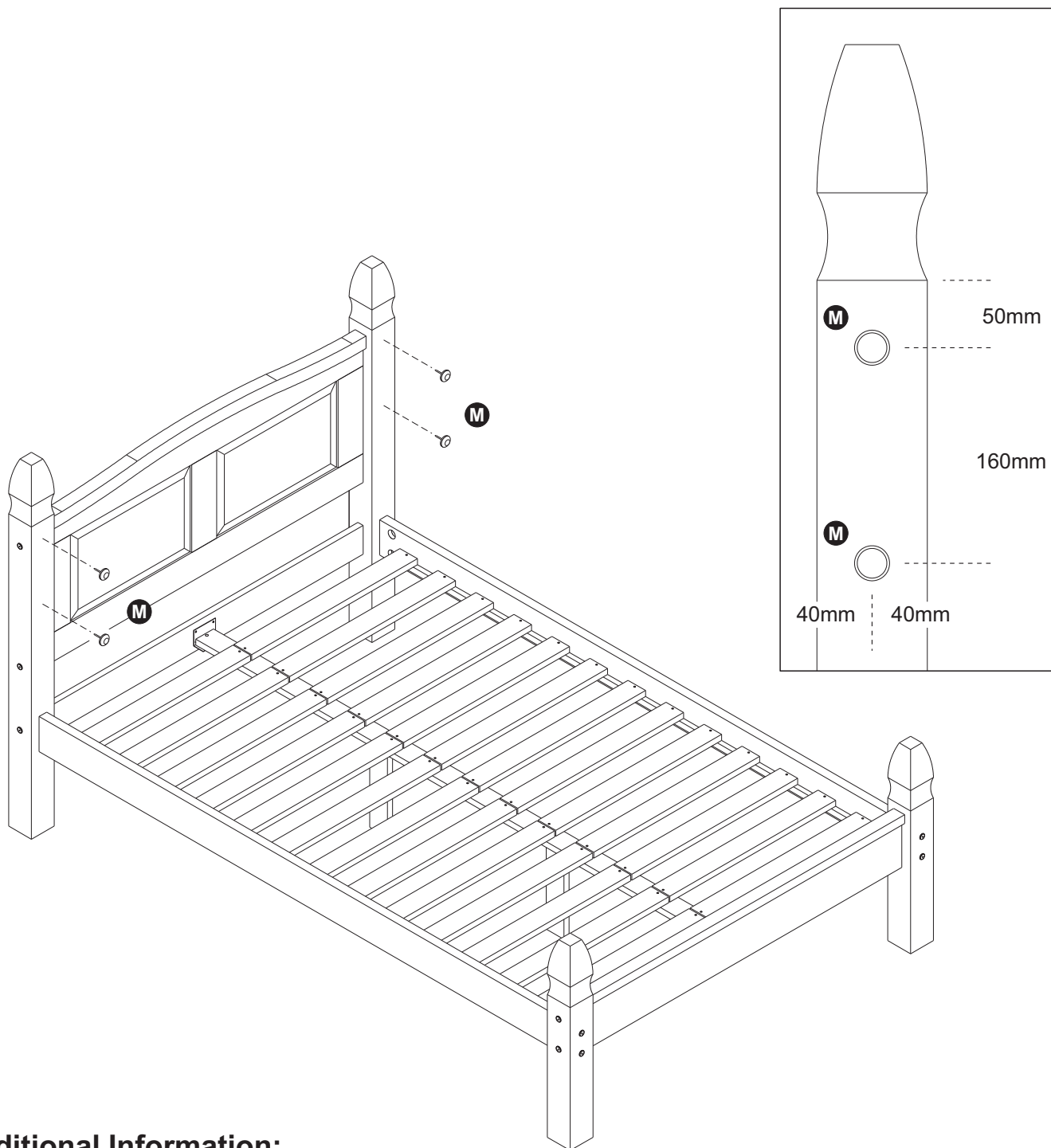
**b:**



**Step 9:** Insert hardware part M using a small mallet (not provided).

Code: S000238

**DO NOT use any power tools as this may damage the frame and will invalidate any claim.**



### Additional Information:

- For complete product information, images and dimension diagrams please visit the website [www.birlea.com](http://www.birlea.com)
- If you have any issues with your item please contact the retailer directly you purchased it from who will be able to resolve any issues with Birlea.
- Why don't you send us photos of your assembled furniture to [info@birlea.com](mailto:info@birlea.com) to be shared in our #birleahome feature on instagram.



**Birlea**

Suppliers of inspiration