



Birlea

Suppliers of inspiration

Assembly Instructions

Thank you for
purchasing a
Birlea product.

For a chance to win a *Love 2 Shop* voucher simply post a picture of your new product on your preferred social channels tagging Birlea Furniture and using the hashtag **#ShareYourStyle** and **#Birlea**. One winner will be selected at random each month.

To view our full terms and conditions please visit our website. www.birlea.com

Are you happy with your purchase?

Yes: That's great, we would love to hear more from you. Please leave us a review on our social media channels or Trustpilot. Your feedback will be greatly appreciated.

No: If for any reason there is something missing, indifferent or incorrect with your order, please contact the retailer you purchased the item from. We will work with the retailer to resolve your issue as quickly as possible.



www.birlea.com

ASSEMBLY INSTRUCTIONS

VERONA CABIN BED

IMPORTANT: READ THESE INSTRUCTIONS CAREFULLY BEFORE ASSEMBLING OR USING YOUR VERONA CABIN BED.

PLEASE KEEP THESE INSTRUCTIONS FOR FUTURE REFERENCE.

HEALTH & SAFETY:

DO NOT jump on this bed frame.

DO NOT use this bed frame if any parts are missing, damaged or worn.

DO NOT use this bed frame unless all fixings are secured.

Please keep small parts out of reach of children.

Always use on a level, even surface.

WARNING: If this bed is placed on a non-carpeted floor you must place some protection under all legs to stop the bed frame from moving. If this is not adhered to there is no guarantee if the bed frame collapses.

CARE & MAINTENANCE:

Assemble in the room of use.

Periodically check all screws & fixings to ensure they are secure.

DO NOT push the bed frame as this will damage the legs.

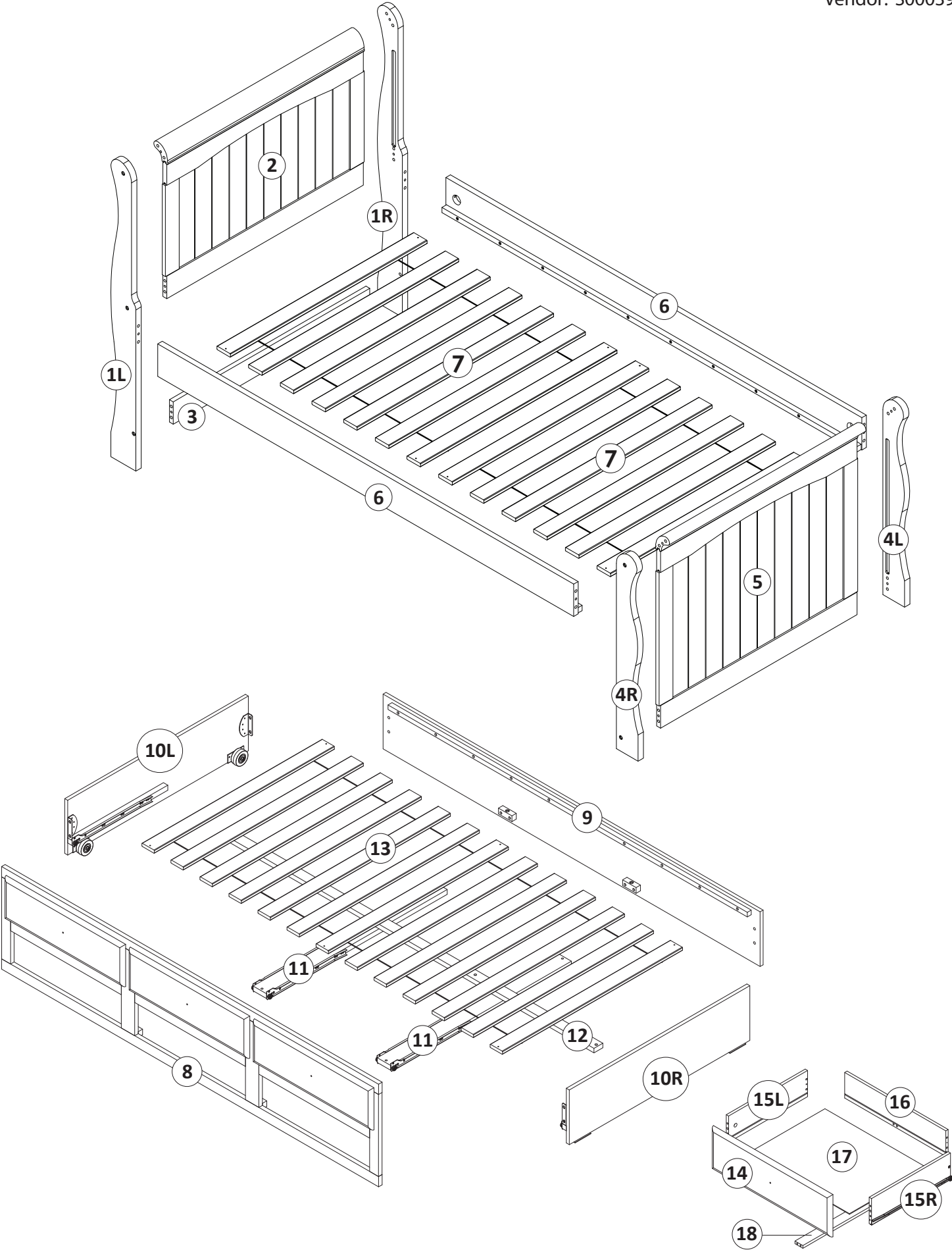
Always lift the bed with two people to reposition.

Keep any sharp objects away from the frame.



Birlea

Suppliers of inspiration




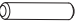

















* Trundle bed can be assembled either side.

(x3)

Part List

Cabin Bed				Trundle Bed			
Part	Description	Box	Qty	Part	Description	Box	Qty
1L	Headboard Post (L)	2	1	8	Front Frame	3	1
1R	Headboard Post (R)	2	1	9	Rear Frame	3	1
2	Headboard Frame	1	1	10L	Side Panel (L)	4	1
3	Headboard Bottom Rail	1	1	10R	Side Panel (R)	4	1
4L	Footboard Post (L)	2	1	11	Drawer Support	4	2
4R	Footboard Post (R)	2	1	12	Center Support	3	1
5	Footboard Frame	1	1	13	Wooden Slat	4	13
6	Side Rail	2	2	14	Drawer Face	3	3
7	Wooden Slat	2	6 + 7	15L	Drawer Side (L)	3	3
				15R	Drawer Side (R)	3	3
				16	Drawer Rear	3	3
				17	Drawer Base	3	3
				18	Drawer Base Support	3	3

Hardware List (found in box 3)

Cabin Bed			Trundle Bed		
Part	Description	Qty	Part	Description	Qty
A	Plastic Dowel (M10 x 35MM) 	28	K	Plastic Dowel (M6 x 30MM) 	36
B	JCBC Bolt (M6 x 35MM) 	4	L	JCBB Bolt (M8 x 16MM) 	8
C	JCBC Bolt (M6 x 60MM) 	6	M	JCBC Bolt (M6 x 35MM) 	4
D	JRN Nut (M6 x 13MM) 	6	N	Connecting Bolt (34MM) 	6
E	Spiral Cam Connecting Bolt (L58MM) 	4	P	Minifix (9MM) 	6
F	Spiral Cam (D35MM) 	4	Q	CSK C/B Screw (M4 x 32MM) 	16
G	CSK C/B Screw (M4 x 32MM) 	8	R	P/H M Screw (M4 x 30MM) 	6
H	Allen Key (M4 x 60MM) 	1	S	Rubber Wooden Knob 8701 	6
J	Allen Key (M6) 	1	T	Allen Key (M4 x 60MM) 	1
			U	Allen Key (M5 x 60MM) 	1

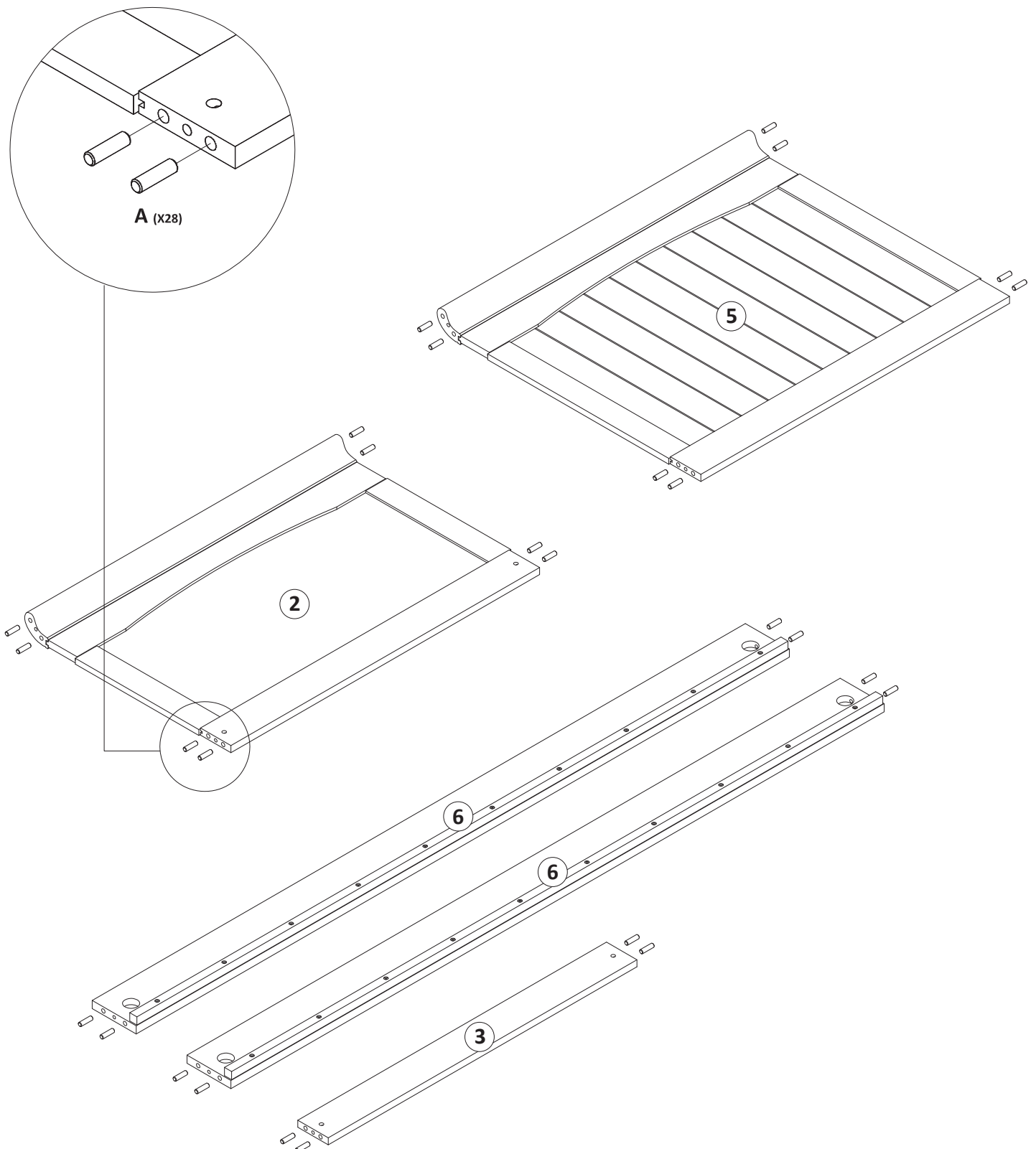
** You will need a Crosshead Screw Driver and Rubber Hammer (not provided)



Birlea

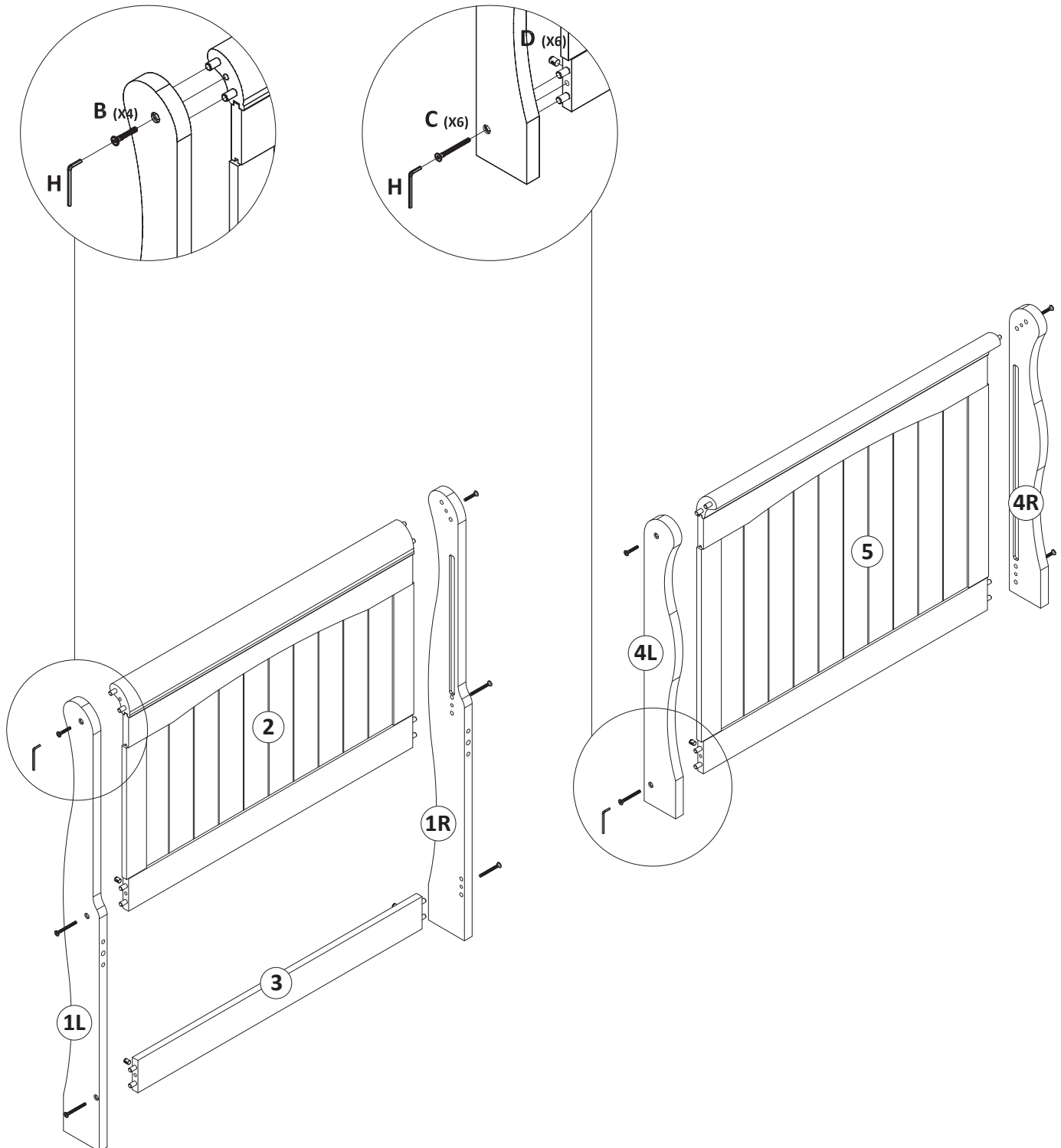
Suppliers of inspiration

Step 1: Insert hardware **(A)** into $\varnothing 10\text{MM}$ holes on **Headboard Frame (2)**, **Headboard Bottom Rail (3)**, **Footboard Frame (5)** and **Side Rail (6)** by using a Rubber Hammer (not provided). **DO NOT** use any power tools as this may damage the frame and will invalidate any claim.

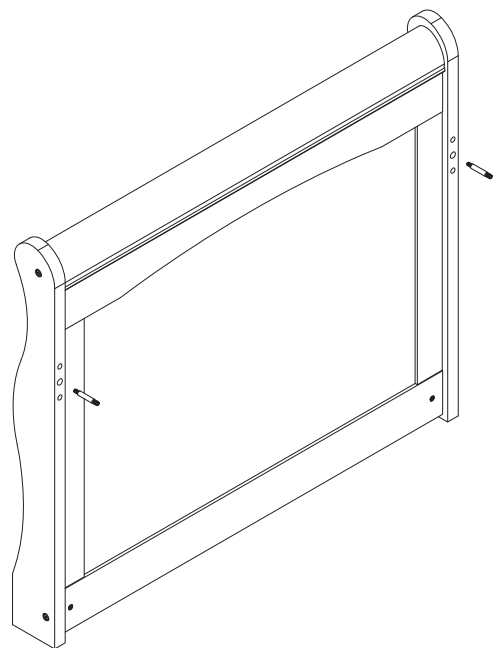
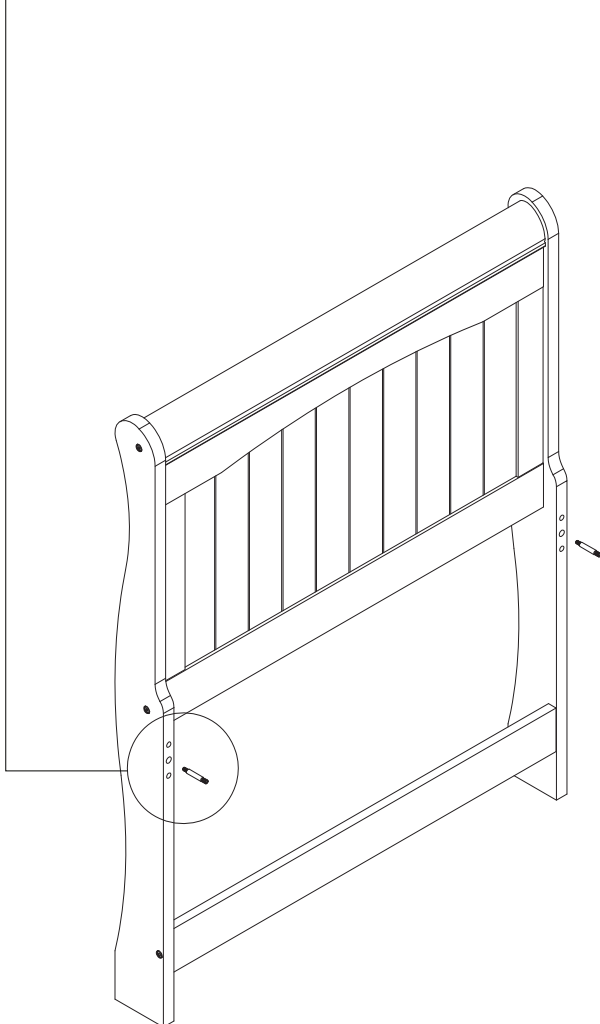
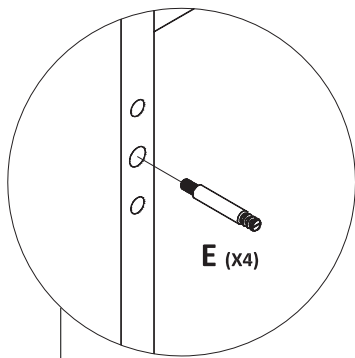
**Birlea**

Suppliers of inspiration

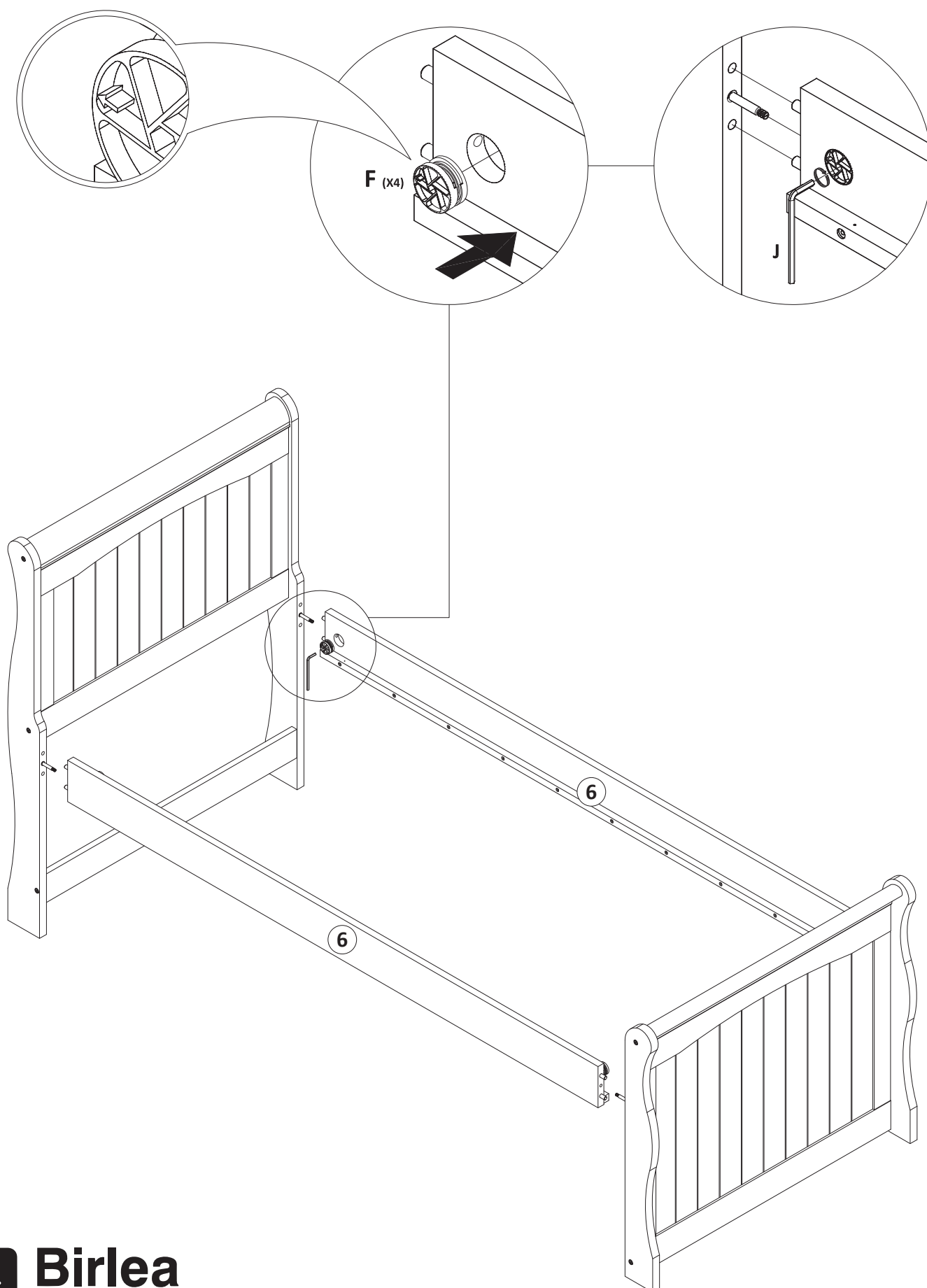
Step 2: Attach and secure **Headboard Post (1L)**, **Headboard Post (1R)** and **Footboard Post (4L)**, **Footboard Post (4R)** simultaneously onto **Headboard Frame (2)**, **Headboard Bottom Rail (3)** and **Footboard Frame (5)** by using hardware **(B)**, **(C)** and **(D)**, tighten it up by using **(H)**. DO NOT use any power tools as this may damage the frame and will invalidate any claim.



Step 3: Insert hardware **(E)** into holes with nuts of **Headboard** and **Footboard**.
DO NOT use any power tools as this may damage the frame and will invalidate any claim.

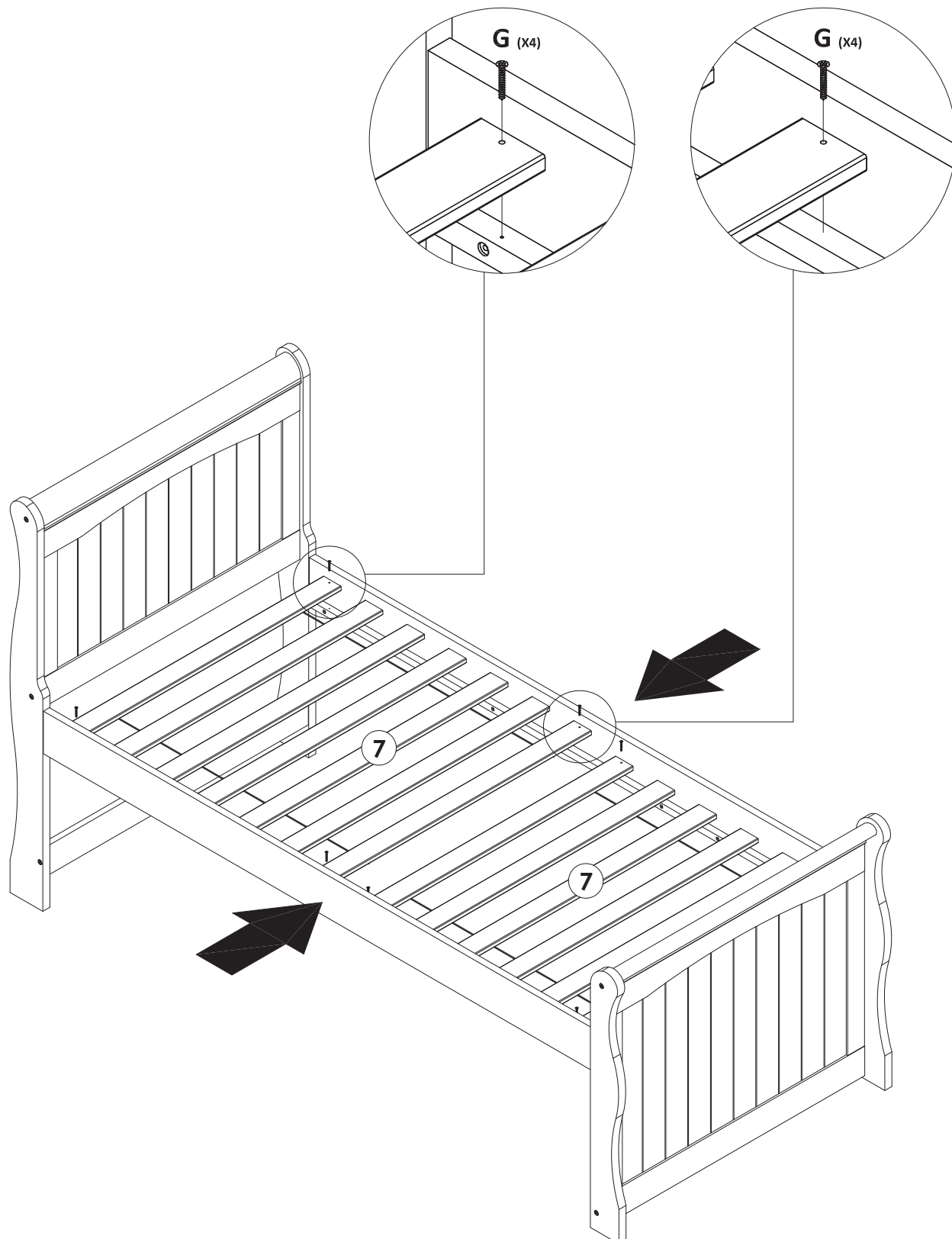


Step 4: Insert hardware (F) into holes on both **Side Rail (6)**. Attach both **Side Rail (6)** onto **Headboard** and **Footboard**, tighten hardware (F) up by using hardware (J).
DO NOT use any power tools as this may damage the frame and will invalidate any claim.



Step 5: Attach and secure **Wooden Slat (7)** onto both **Side Rail** by using **(G)** starting from both ends based on pre-holes given, tighten it up by using Crosshead Screw Driver (not provided). Go on to complete the entire assembly.
DO NOT use any power tools as this may damage the frame and will invalidate any claim.

* Align both **Side Rail** before tightening the screws.

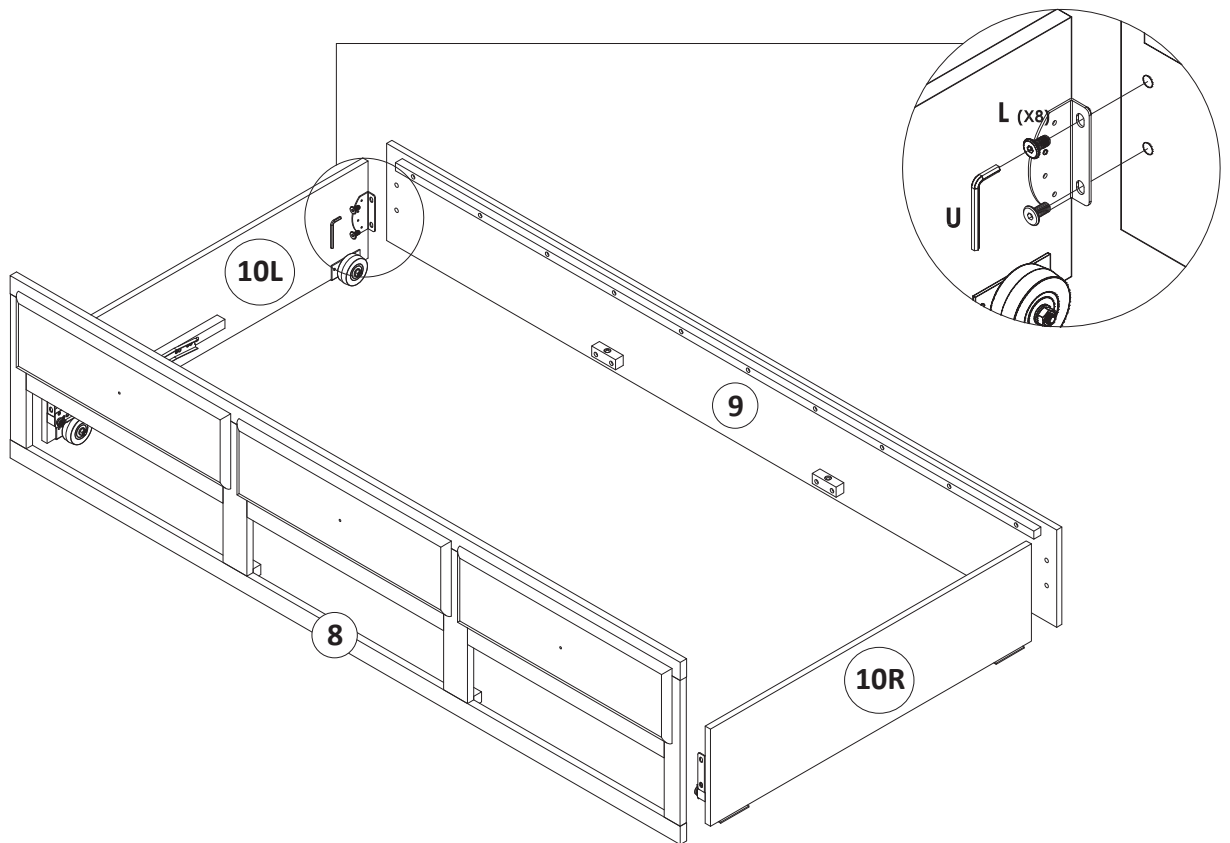


Birlea

Suppliers of inspiration

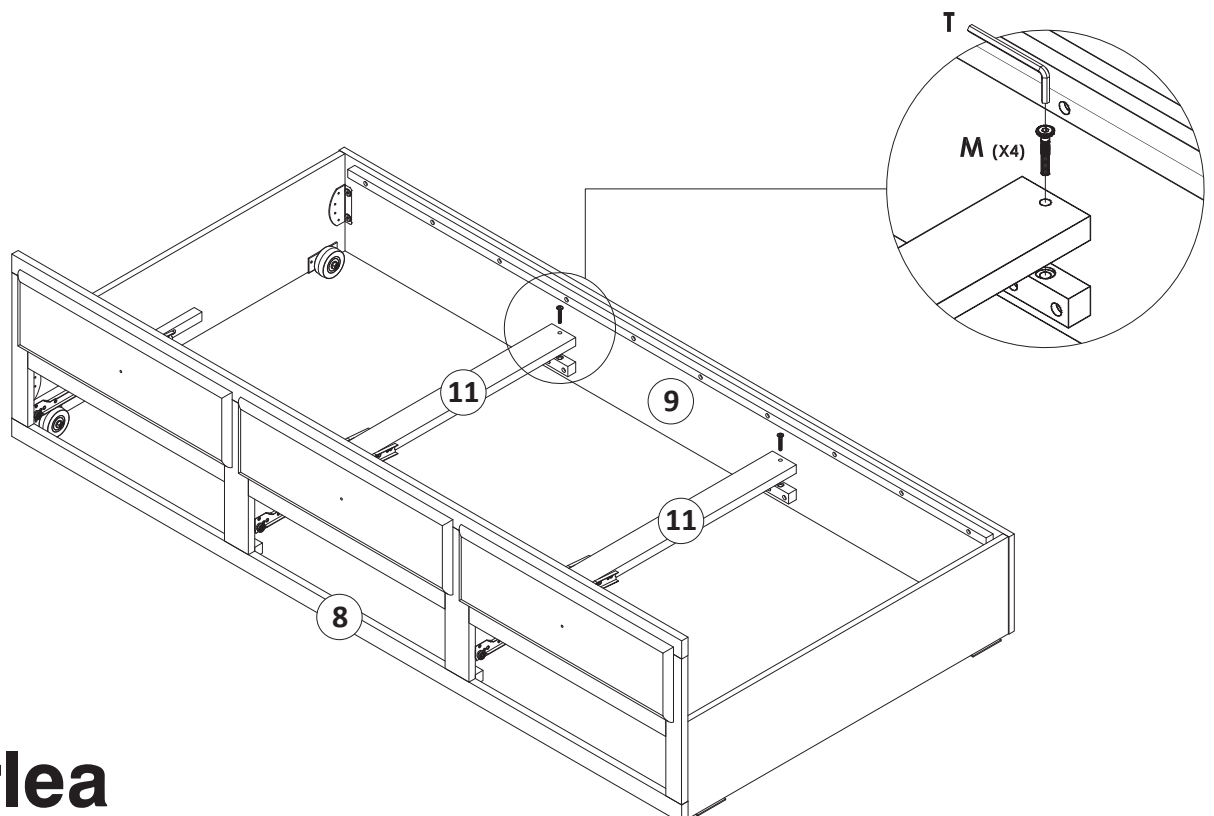
Step 6: Attach **Side Panel (10L) & (10R)** to **Front Frame (8)** and **Rear Frame (9)** by using hardware **(L)**, tighten it up by using **(U)**.

DO NOT use any power tools as this may damage the frame and will invalidate any claim.



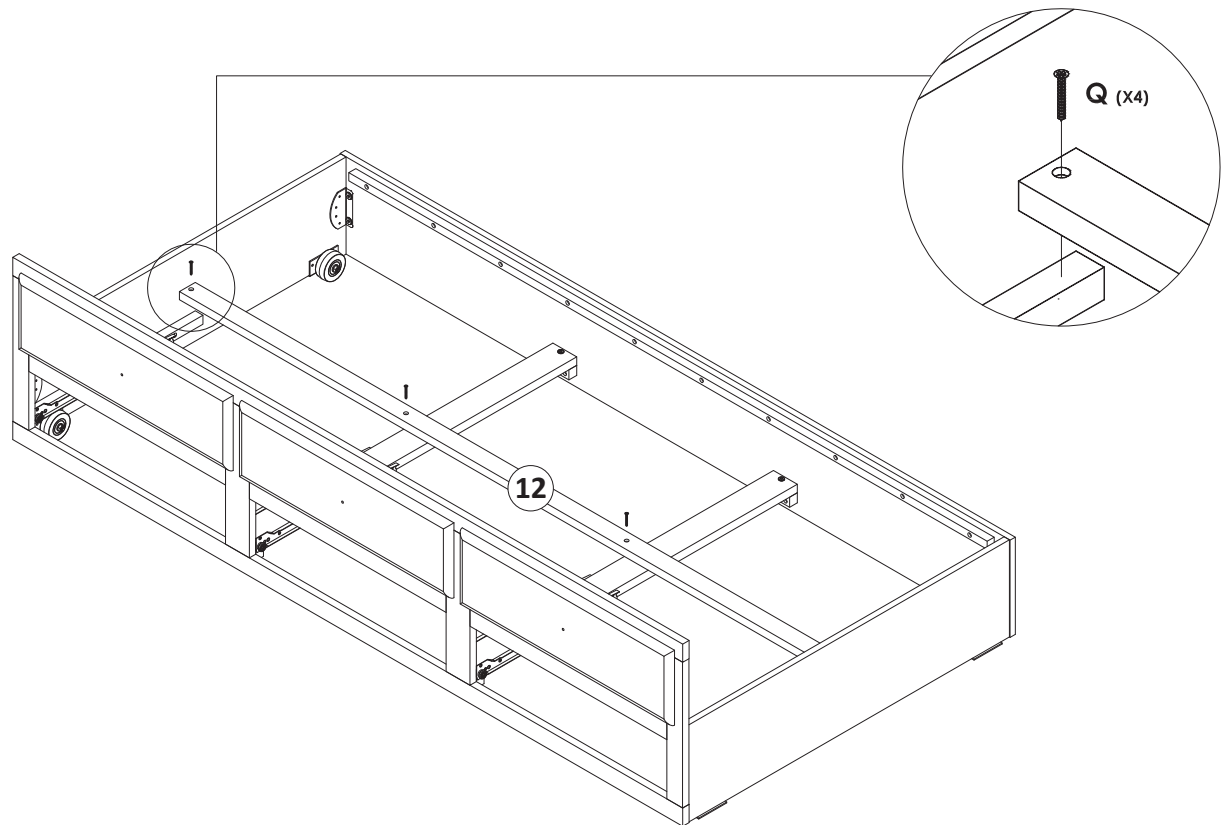
Step 7: Attach **Drawer Support (11)** onto **Front Frame (8)** and **Rear Frame (9)** by using hardware **(M)**, tighten it up by using hardware **(T)**.

DO NOT use any power tools as this may damage the frame and will invalidate any claim.



Step 8: Attach **Center Support (12)** to bed frame by using hardware (**Q**), tighten it up by using a Crosshead Screw Driver (not provided).

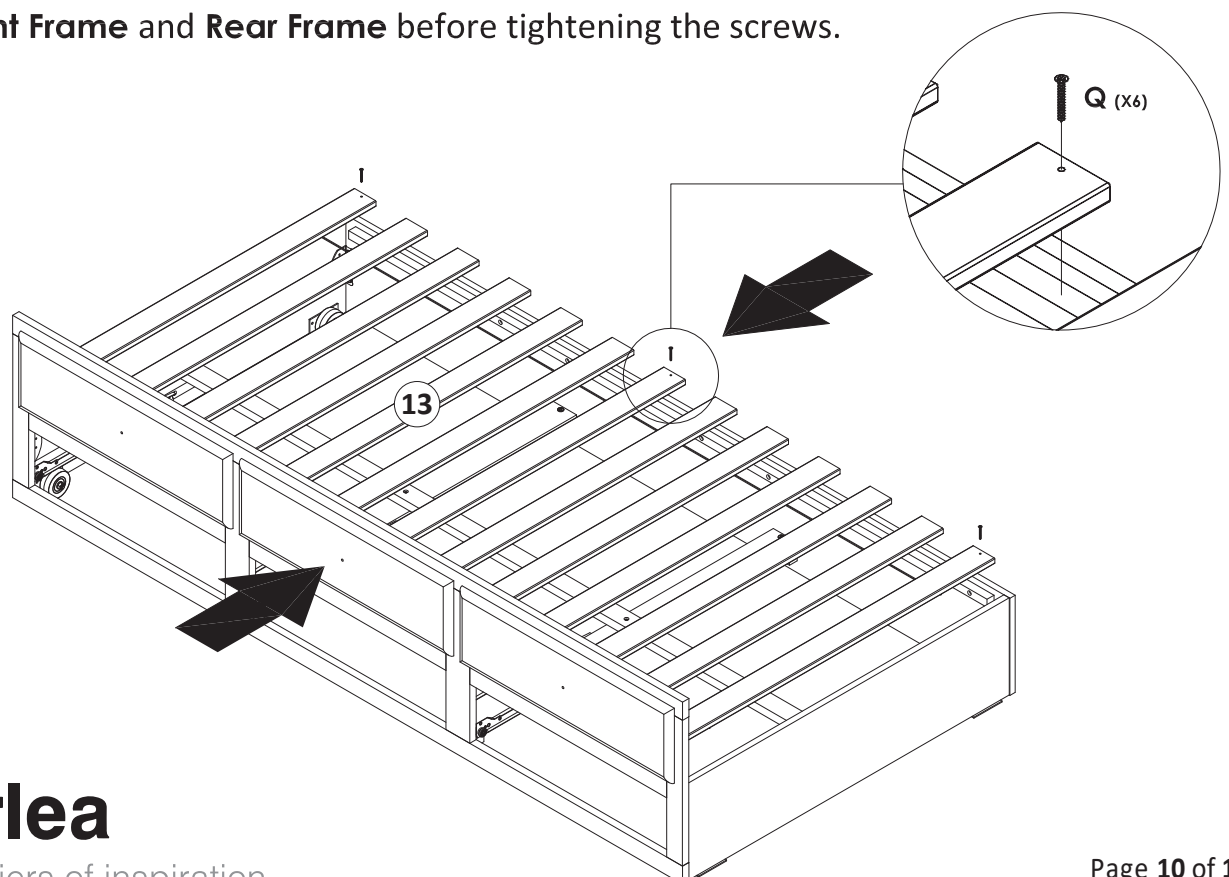
DO NOT use any power tools as this may damage the frame and will invalidate any claim.



Step 9: Attach **Wooden Slat (13)** onto slat supports by using hardware (**Q**), tighten it up by using a Crosshead Screw Driver.

DO NOT use any power tools as this may damage the frame and will invalidate any claim.

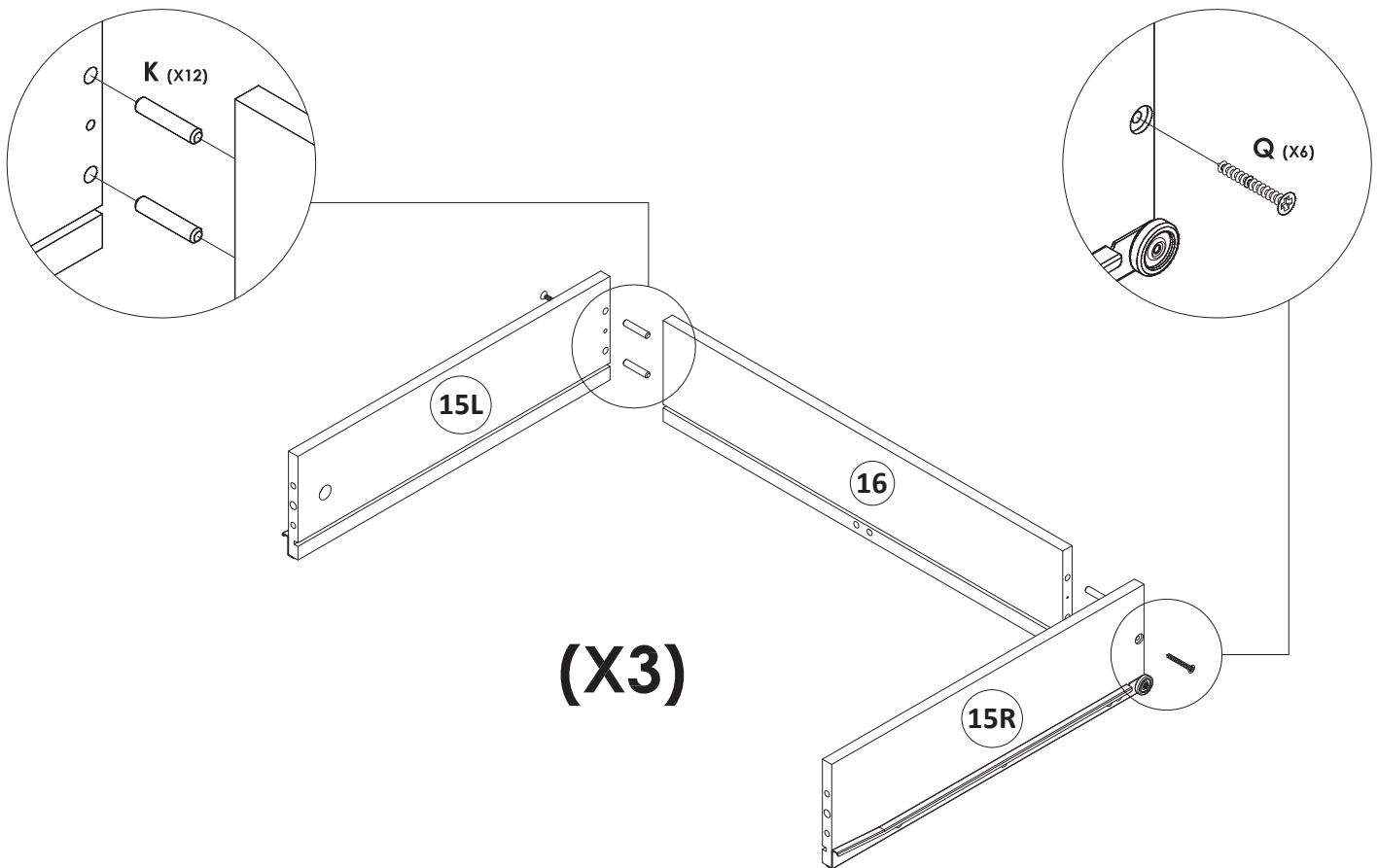
* Align both **Front Frame** and **Rear Frame** before tightening the screws.



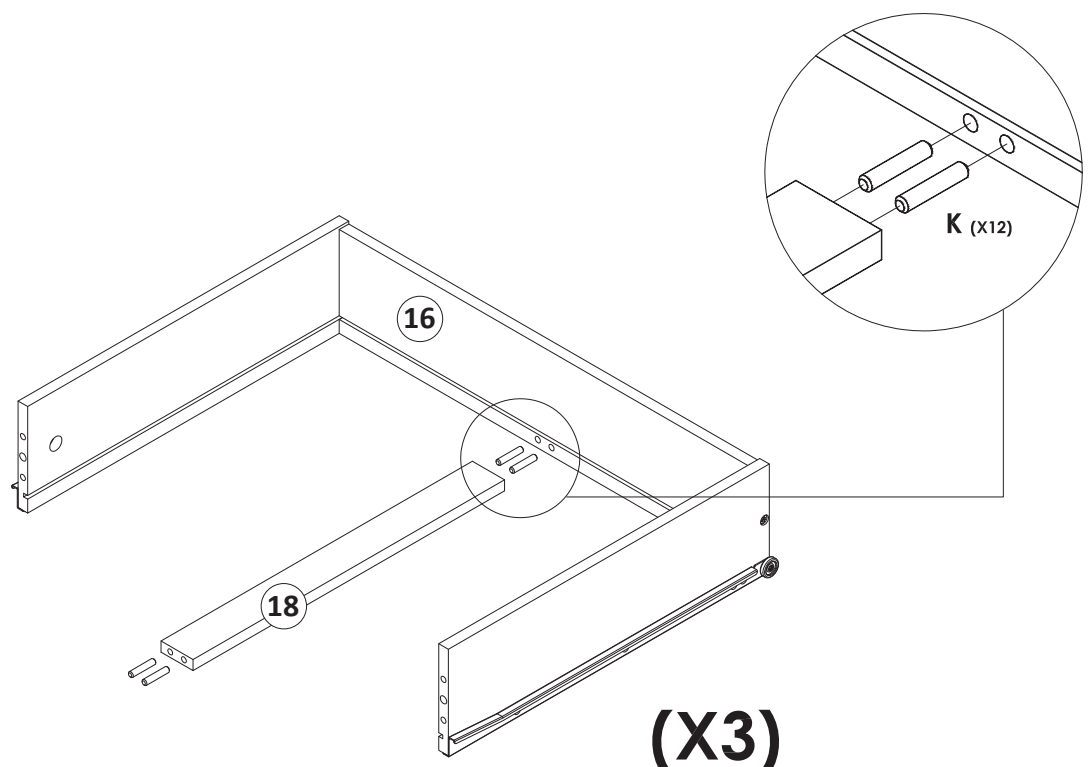
Birlea

Suppliers of inspiration

Step 10: Attach **Drawer Side (15L)** & **Drawer Side (15R)** onto **Drawer Rear (16)** by using hardware **(K)** and **(Q)**, tighten it up by using a Crosshead Screw Driver (not provided). **DO NOT** use any power tools as this may damage the frame and will invalidate any claim.



Step 11: Attach **Drawer Base Support (18)** to **Drawer Rear (16)** by using hardware **(K)**. **DO NOT** use any power tools as this may damage the frame and will invalidate any claim.

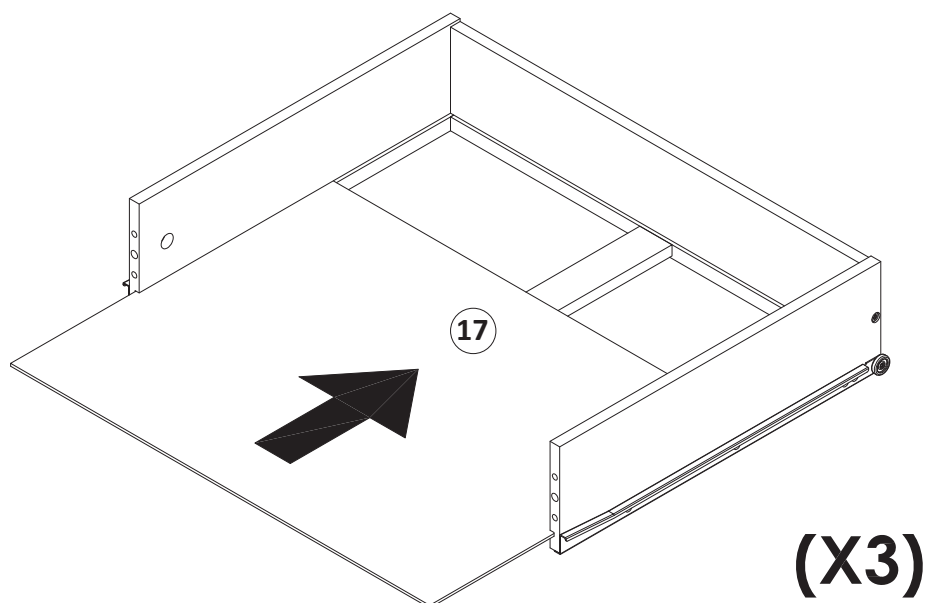


Birlea

Suppliers of inspiration

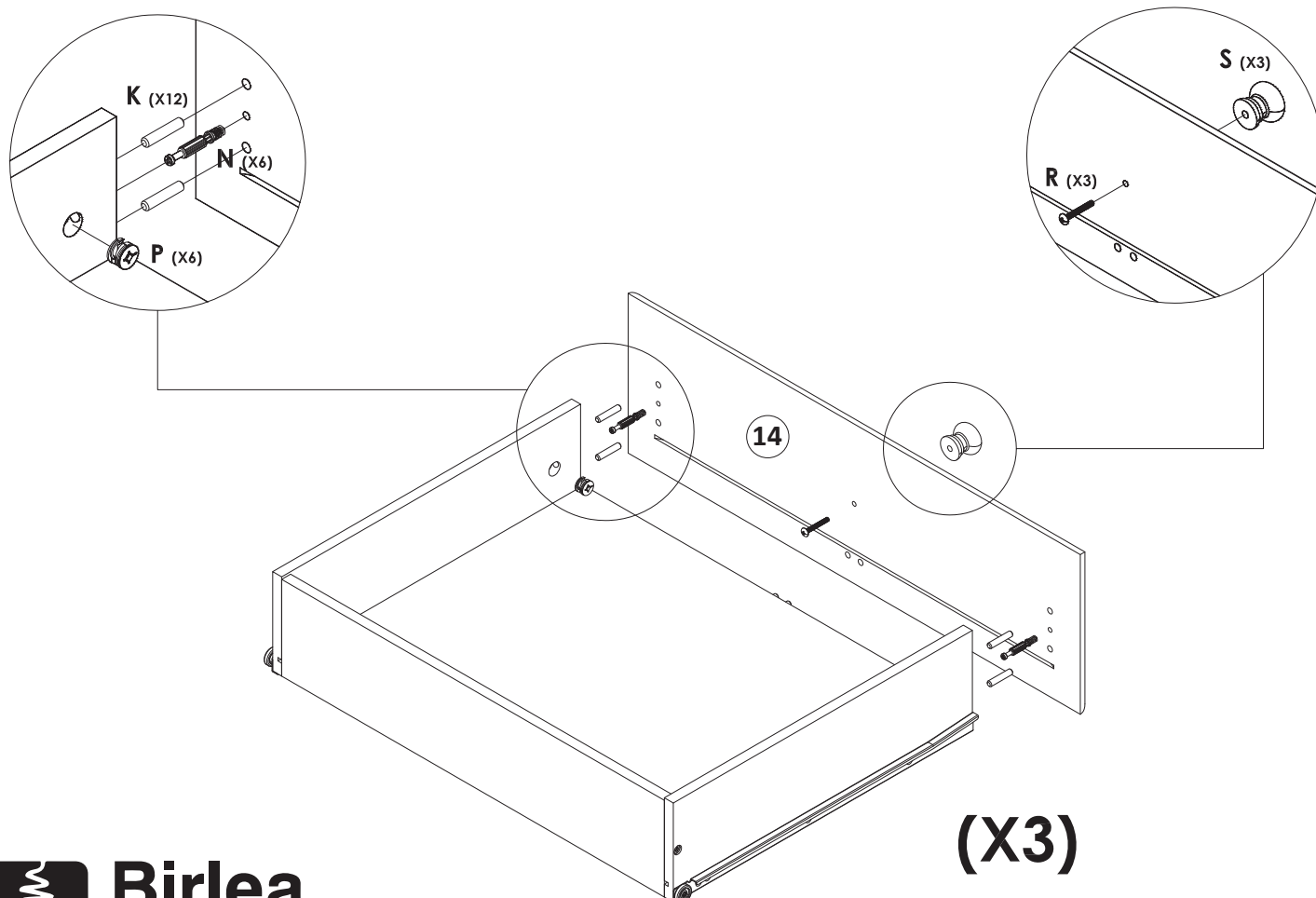
Step 12: Slot **Drawer Base (17)** into **Drawer Side (L/R)**.

DO NOT use any power tools as this may damage the frame and will invalidate any claim.



Step 13: Attach **Drawer Face (14)** onto both **Drawer Side (L/R)** by using hardware **(K)**, **(N)** and **(P)**. Follow that up by attaching and securing hardware **(S)** onto **Drawer Face (14)** by screwing hardware **(R)** in from behind, tighten it up by using a Crosshead Screw Driver (not provided).

DO NOT use any power tools as this may damage the frame and will invalidate any claim.

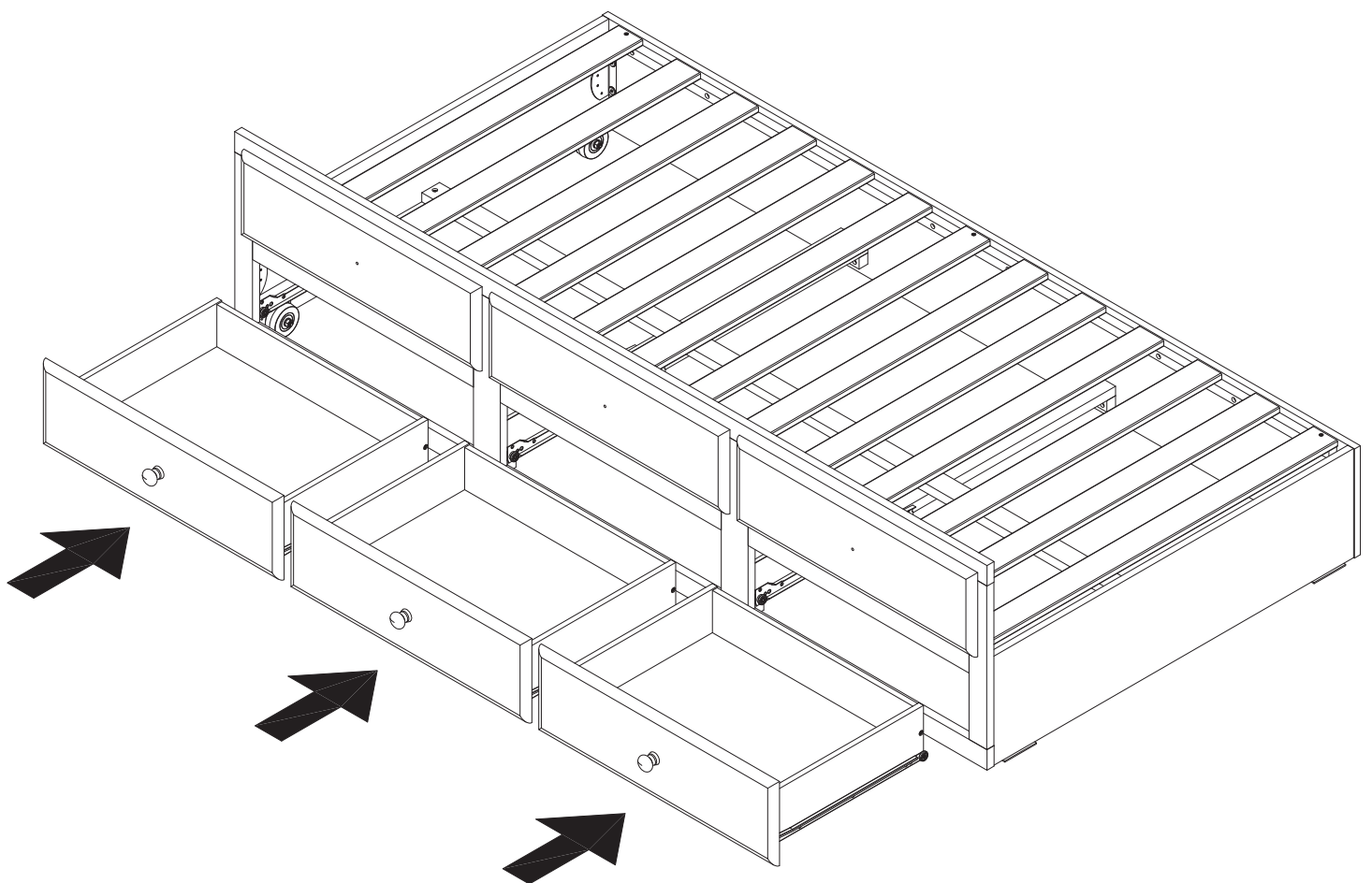


Birlea

Suppliers of inspiration

Step 14: Insert **Drawers** into **Bed Frame**.

DO NOT use any power tools as this may damage the frame and will invalidate any claim.

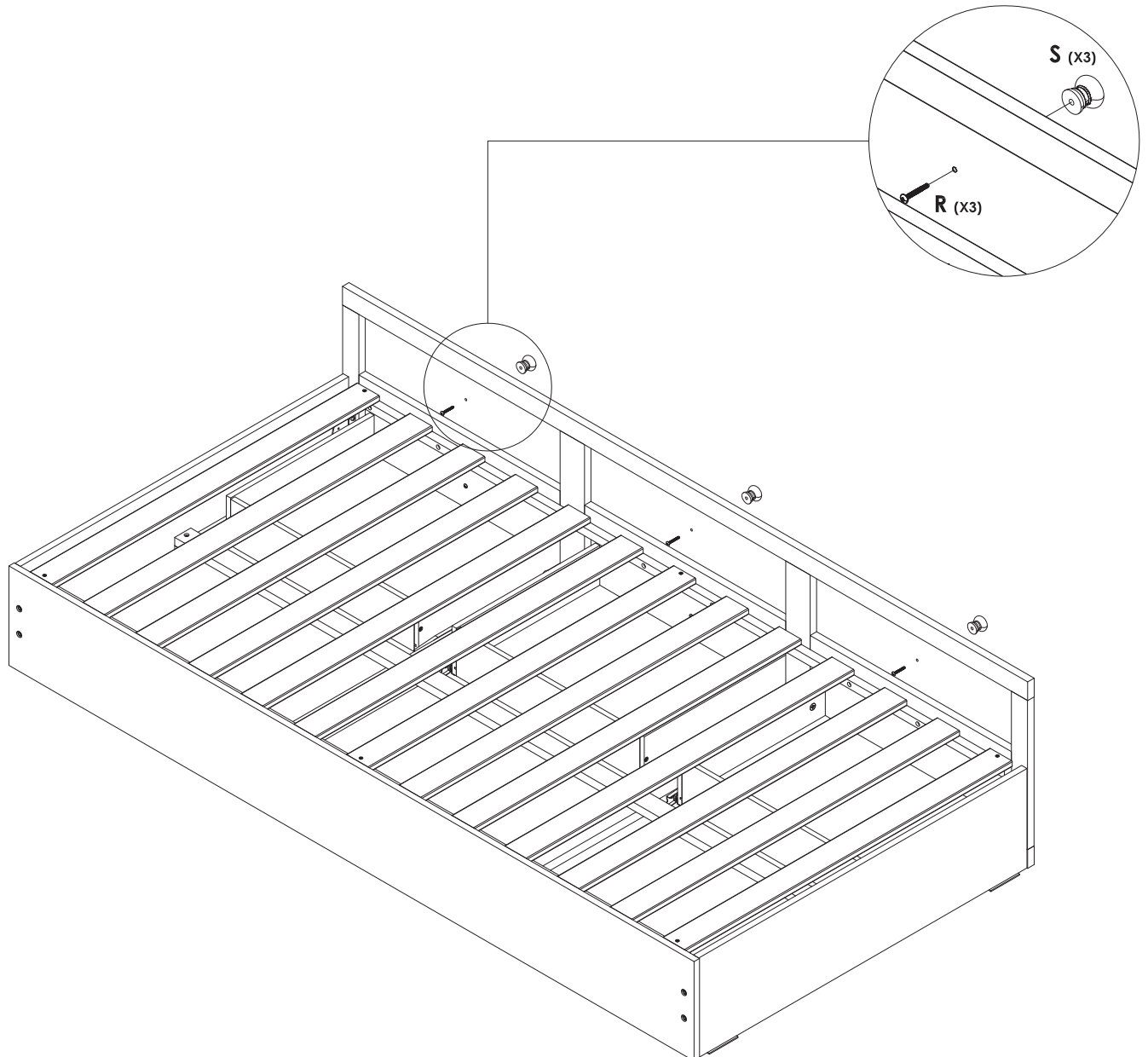


Birlea

Suppliers of inspiration

Step 15: Attach and secure hardware **(S)** onto **Front Frame's Drawer Face** by screwing hardware **(R)** in from behind, tighten it up by using a Crosshead Screw Driver (not provided). Go on to complete the entire assembly.

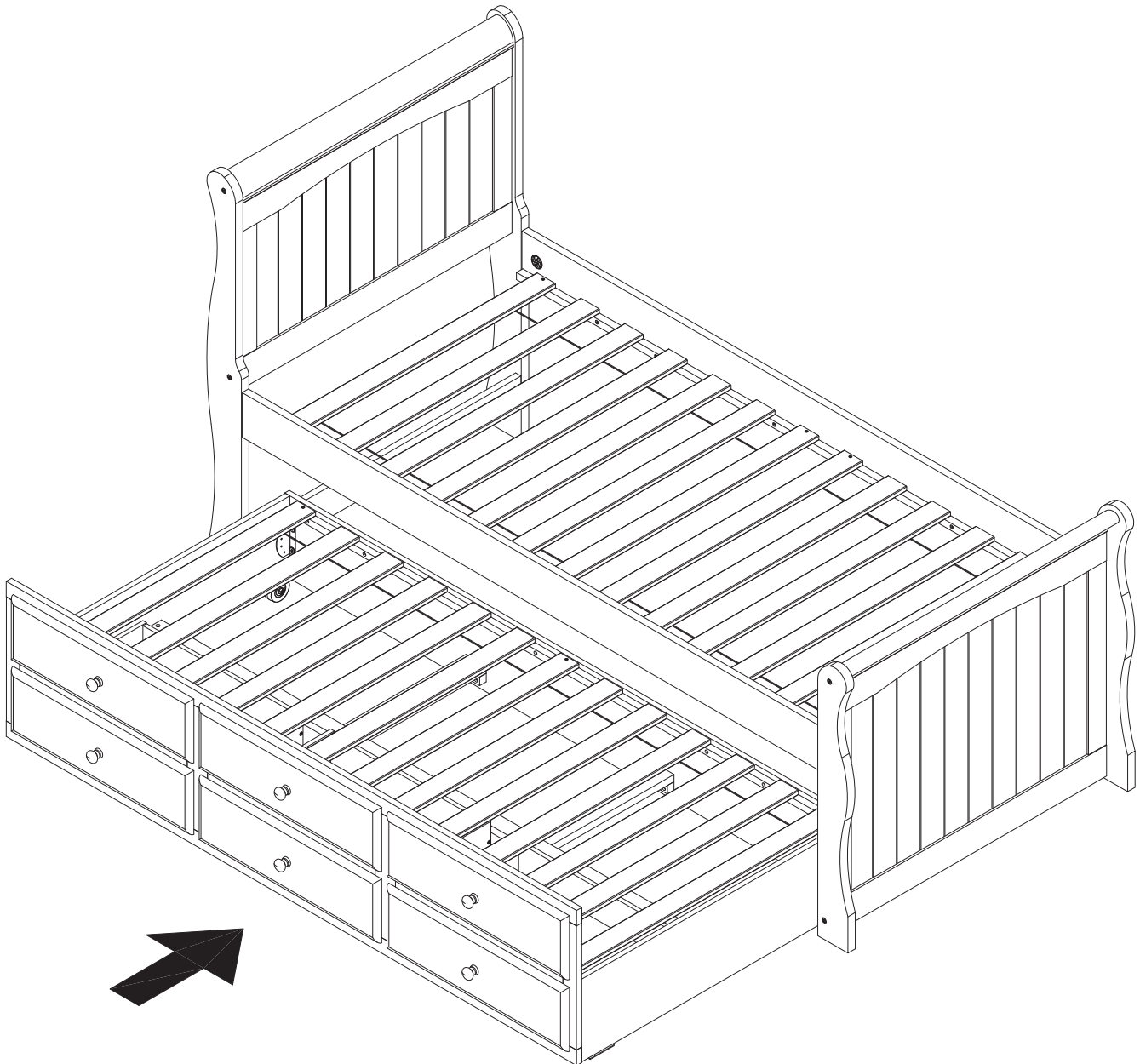
DO NOT use any power tools as this may damage the frame and will invalidate any claim.



Birlea

Suppliers of inspiration

Step 16: Push assembled **Trundle Bed** assembly into **Cabin Bed** assembly.
DO NOT use any power tools as this may damage the frame and will invalidate any claim.



Additional Information:

- For complete product information, images and dimension diagrams please visit the website www.birlea.com
- If you have any issues with your item please contact the retailer directly you purchased it from who will be able to resolve any issues with Birlea.
- Why don't you send us photos of your assembled furniture to info@birlea.com to be shared in our #birleahome feature on Instagram.



Birlea

Suppliers of inspiration