

ASSEMBLY INSTRUCTIONS
SANTIAGO 2 DOOR WARDROBE

IMPORTANT: READ THESE INSTRUCTIONS CAREFULLY BEFORE ASSEMBLING OR USING YOUR SANTIAGO 2 DOOR WARDROBE.

PLEASE KEEP THESE INSTRUCTIONS FOR FUTURE REFERENCE.

HEALTH & SAFETY:

DO NOT use this item if any parts are missing, damaged or worn.

DO NOT use this item unless all fixings are secured.

Please keep small parts out of reach of children.

Always use on a level, even surface.

It is recommended that two people handle and assemble the item.

Birlea advise you use the wall straps provided to further enhance the safety of this product.

CARE & MAINTENANCE:

Assemble in the room of use.

To avoid damages assemble the item on a soft, clean surface

Periodically check all screws & fixings to ensure they are secure.

DO NOT push the item as this will damage the base.

Always lift the item with two people to reposition.

Keep any sharp objects away from the item.

This product is manufactured in pine which is a wood with natural characteristics including knots, grains, clusters or indentations.

On unpacking the item you may notice an odour due to production processes but this will disappear after a period of time.

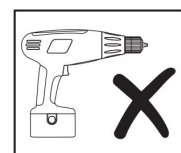
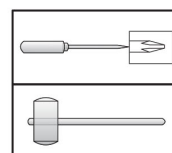
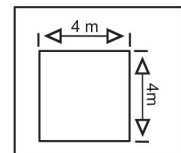
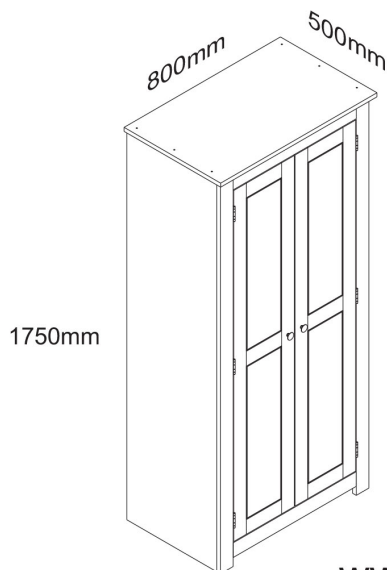
DO NOT place the item next to a radiator or direct sunlight – this item is susceptible to temperature change.

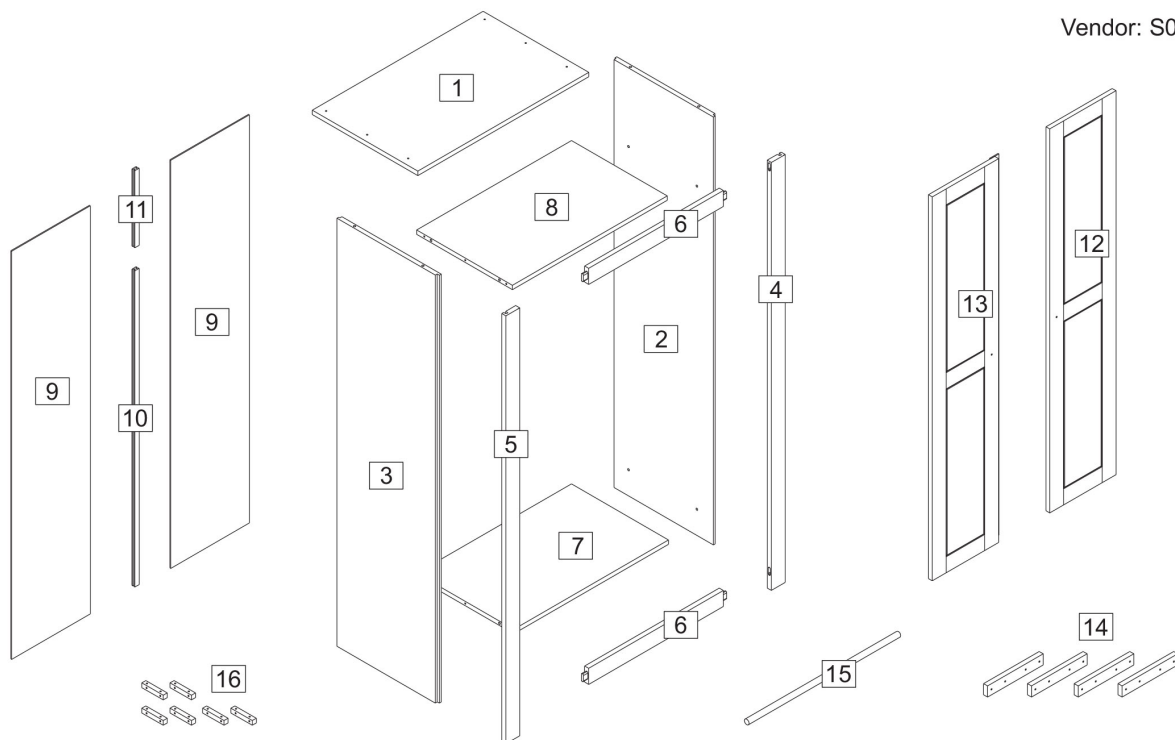
It is recommended an even room temperature be maintained with no sudden fluctuations.

DO NOT place hot or cold items directly onto the surface of the item as marking will occur

For general cleaning use a duster or damp cloth (almost dry) not wet – do not use soap and water, detergents, aerosol sprays or any polish as use of these materials would invalidate any claims.

DO NOT place the item onto wet or damp flooring as staining may occur to the floor.

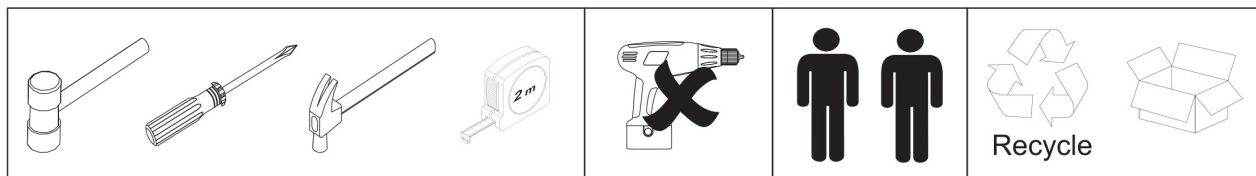




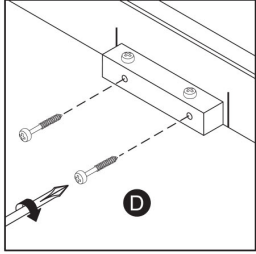
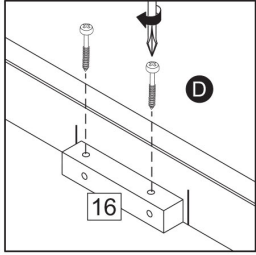
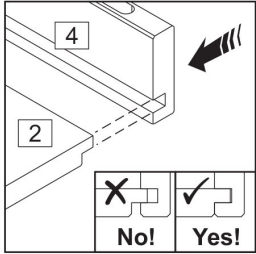
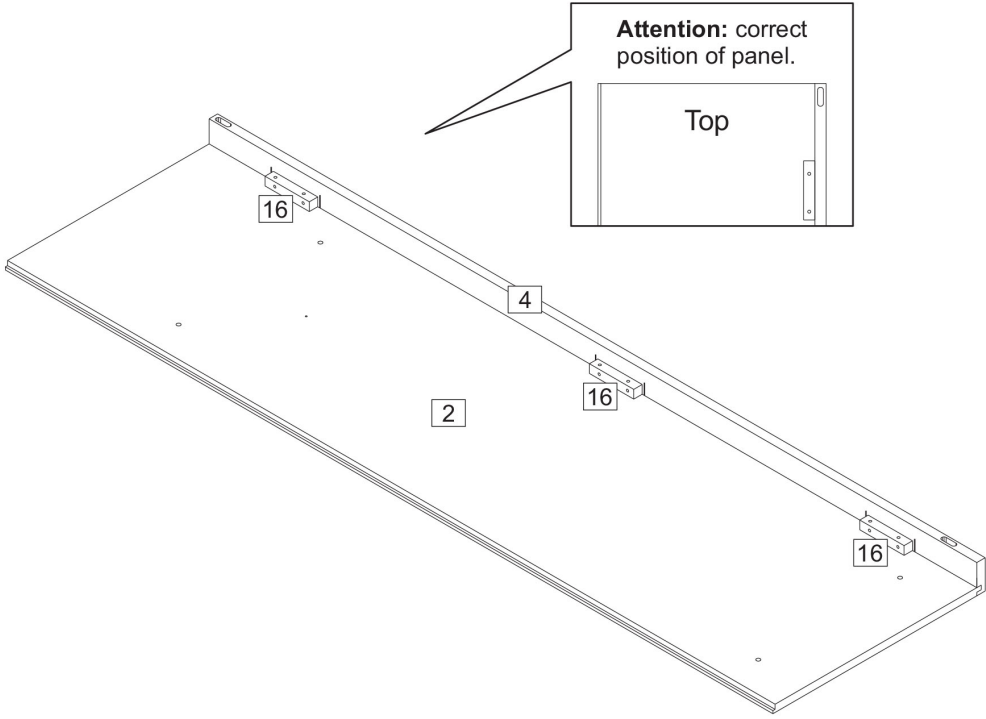
PARTS LIST		
Part	Item	Qty
1	Top Panel	1
2	Right Panel	1
3	Left Panel	1
4	Right Front Frame	1
5	Left Front Frame	1
6	Front Frame	2
7	Base Panel - 724x454mm	1
8	Shelf Panel - 724x448mm	1
9	Back Panel	2
10	Large Spine	1
11	Small Spine	1
12	Right Door	1
13	Left Door	1
14	Cross rail	4
15	Hanging Rail	1
16	Cleat	6

HARDWARE LIST			
Part	Item		Qty
A	Wooden dowel		12
B	14mm Screw		49
C	30mm Screw		16
D	35mm Screw		36
E	40mm Screw		6
F	19mm Bolt		2
G	Handle		2
H	Door Hinge		6
J	Clip		4
K	Plug		4
L	Corner Bracket		1
M	Rail Support		2
N	Tack		40
O	Wall Strap		1
P	Washer		2

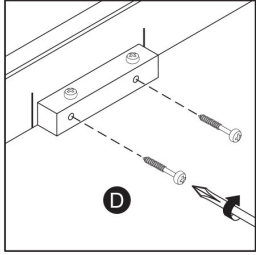
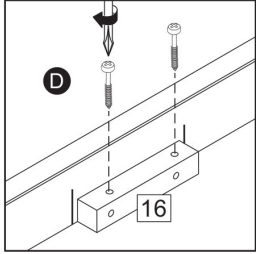
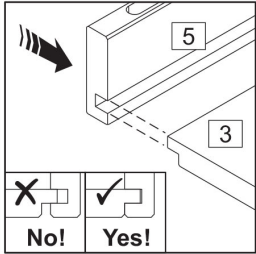
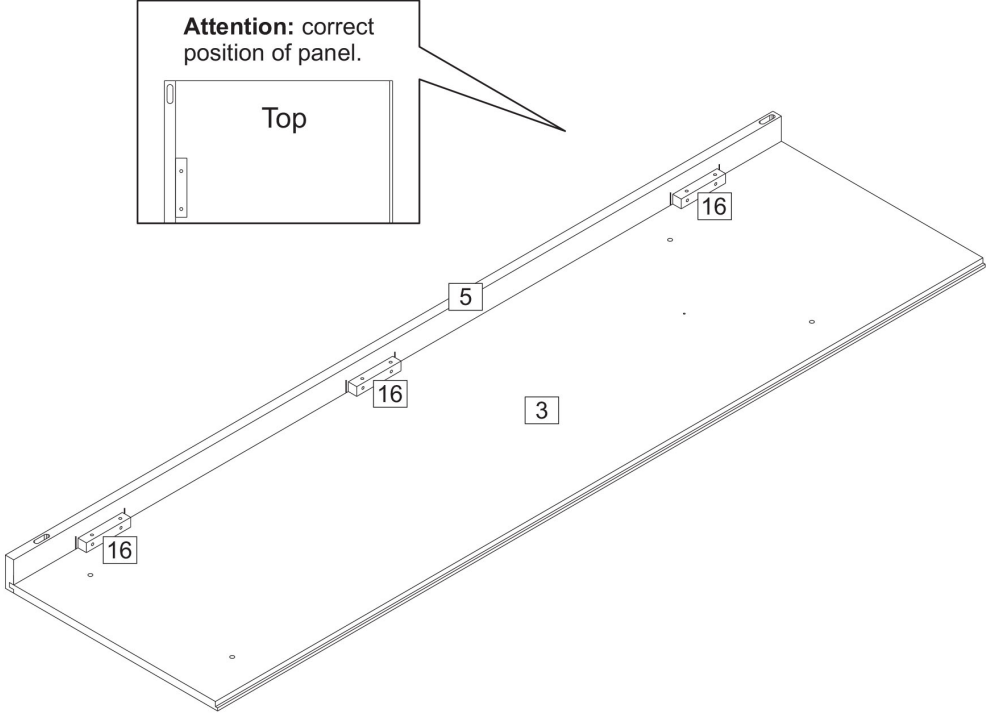
** You will need a small mallet and a screwdriver.



Step 1: Insert the right panel (2) to the right front frame (4) ensuring parts are fully pushed together and lined up. Place the cleats (16) between the marks shown, secure using hardware part D with a screwdriver (not provided).
DO NOT use any power tools as this may damage the frame and will invalidate any claim.

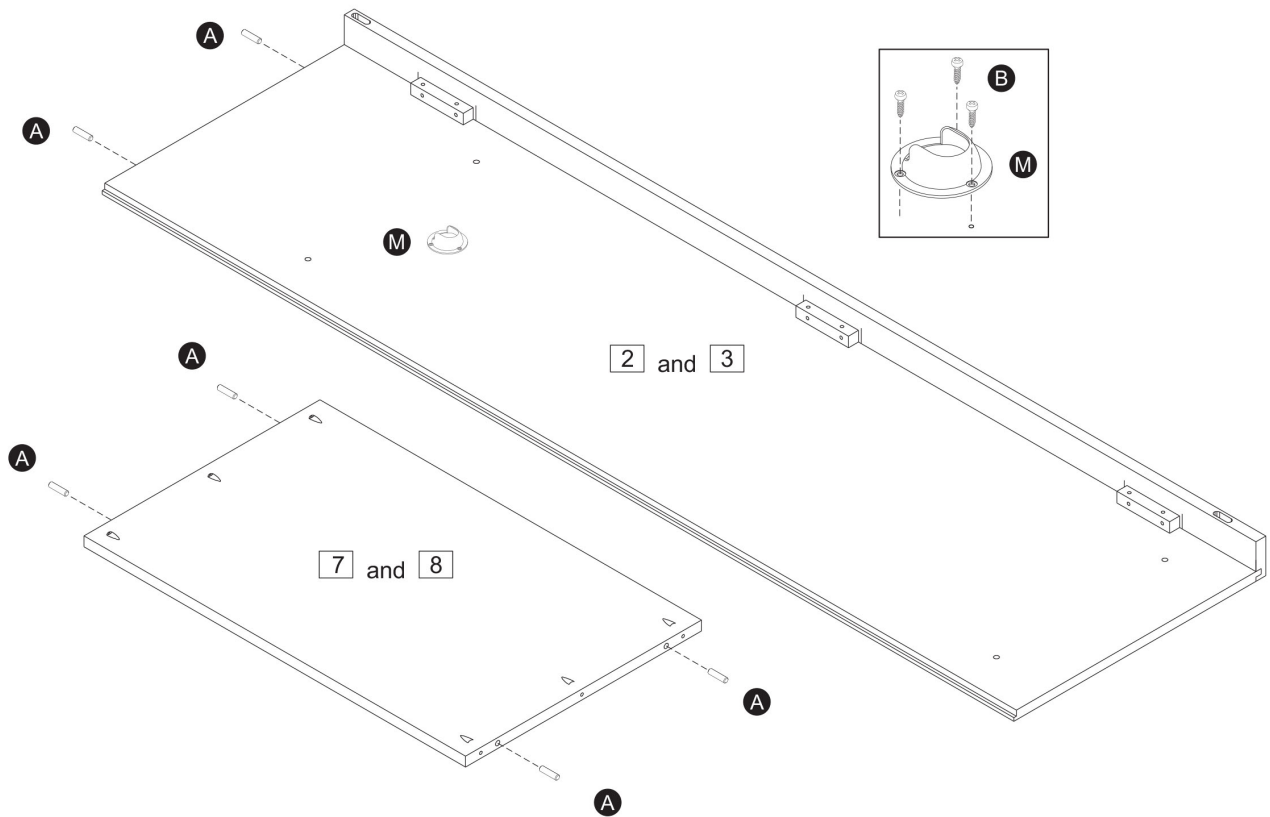


Step 2: Insert the left panel (3) to the left front frame (5) ensuring parts are fully pushed together and lined up. Place the cleats (16) between the marks shown, secure using hardware part D with a screwdriver (not provided).
DO NOT use any power tools as this may damage the frame and will invalidate any claim.

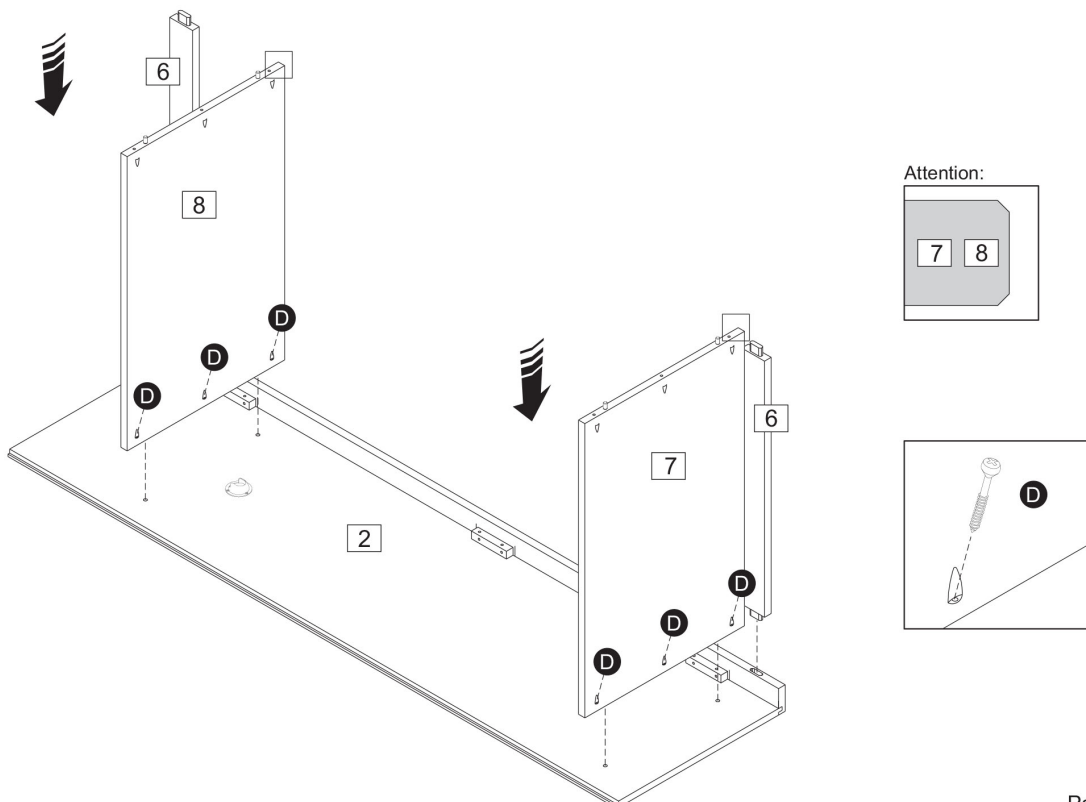


Step 3: Insert hardware part A using a small mallet (not provided). Attach hardware part M to the right panel (2) and left panel (3) using hardware part B and a screwdriver (not provided).
DO NOT use any power tools as this may damage the frame and will invalidate any claim.

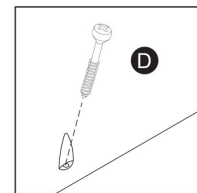
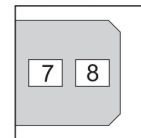
Vendor: S000238



Step 4: Attach the front frames (6), base panel (7) and shelf panel (8) using hardware part D and a screwdriver (not provided).
DO NOT use any power tools as this may damage the frame and will invalidate any claim.

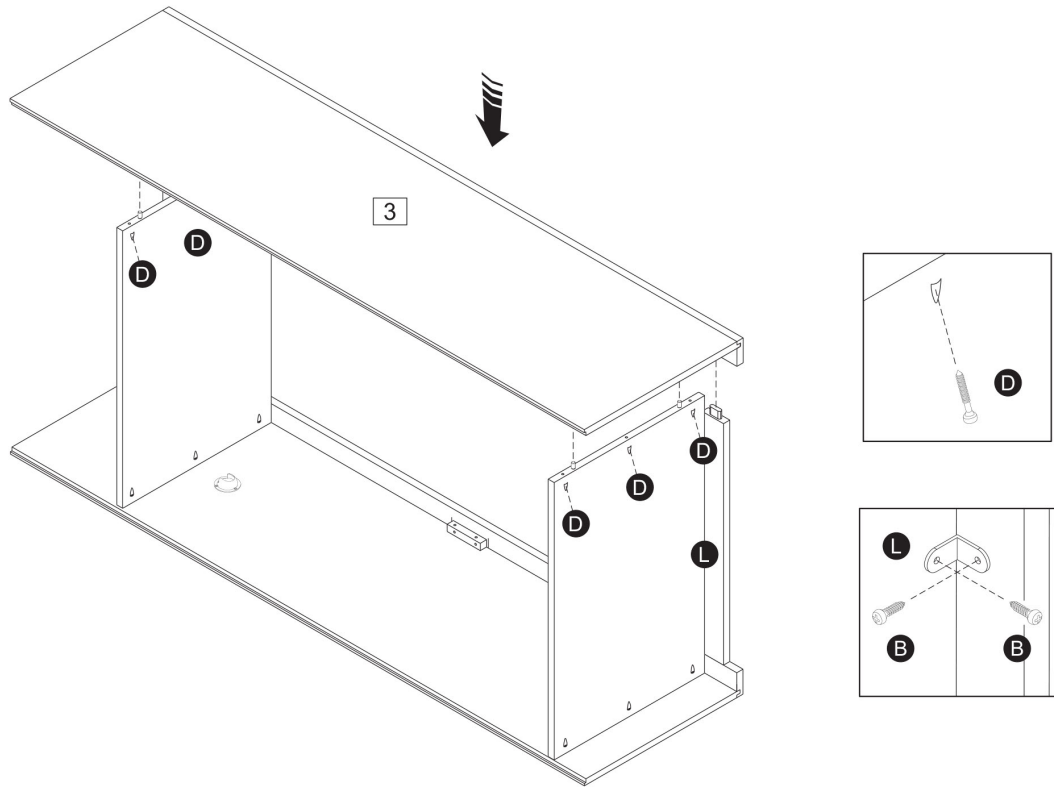


Attention:

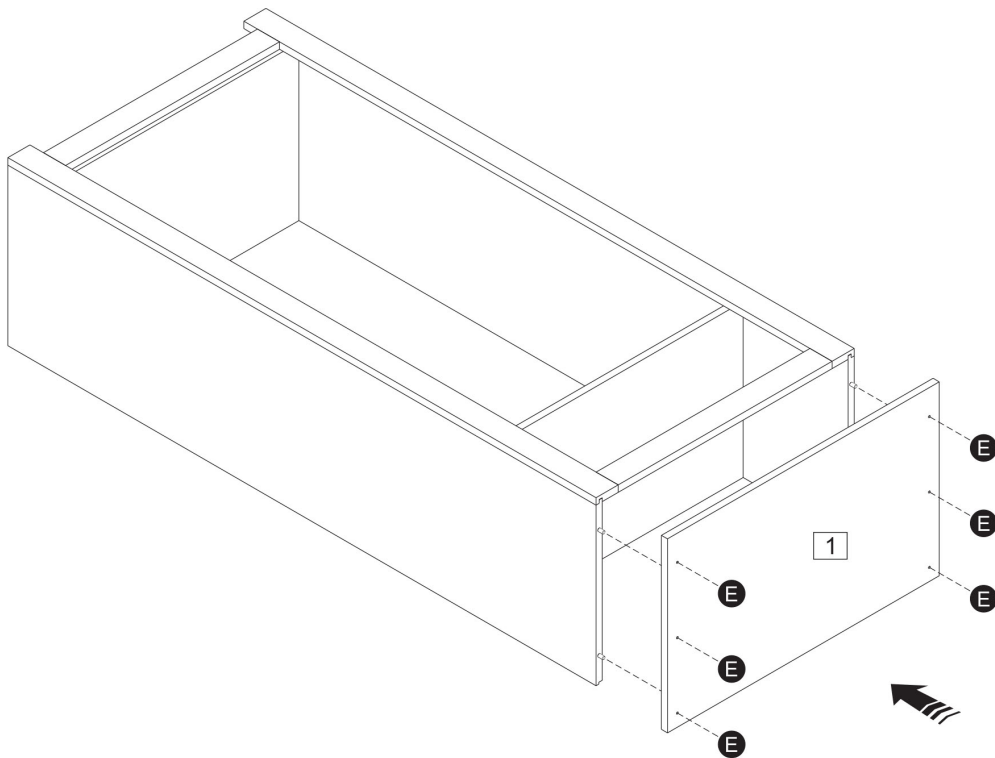


Step 5: Attach the left panel (3) using hardware part D. Attach hardware part L using hardware part B. You will need to use a screwdriver (not provided).
DO NOT use any power tools as this may damage the frame and will invalidate any claim.

Vendor: S000238

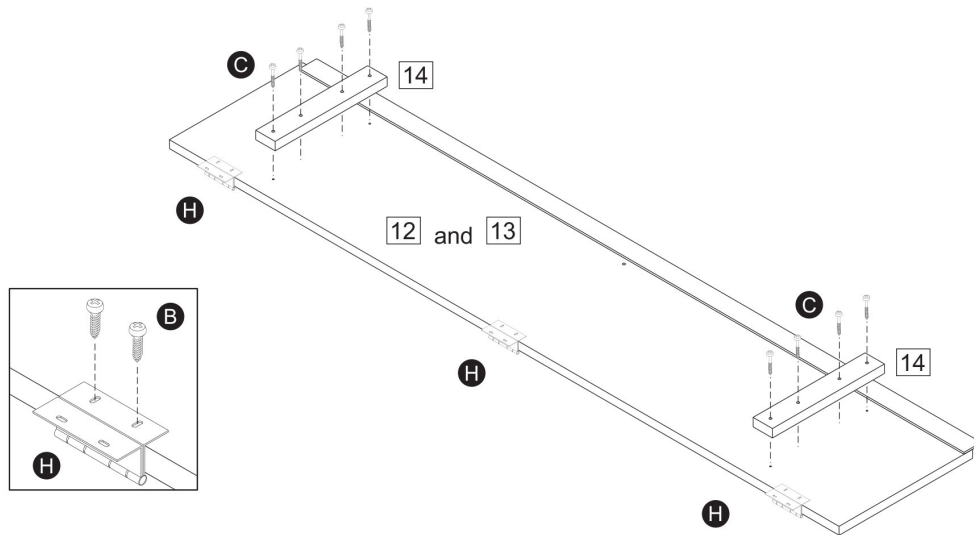


Step 6: Attach the top panel (1) using hardware part E and a screwdriver (not provided).
DO NOT use any power tools as this may damage the frame and will invalidate any claim.

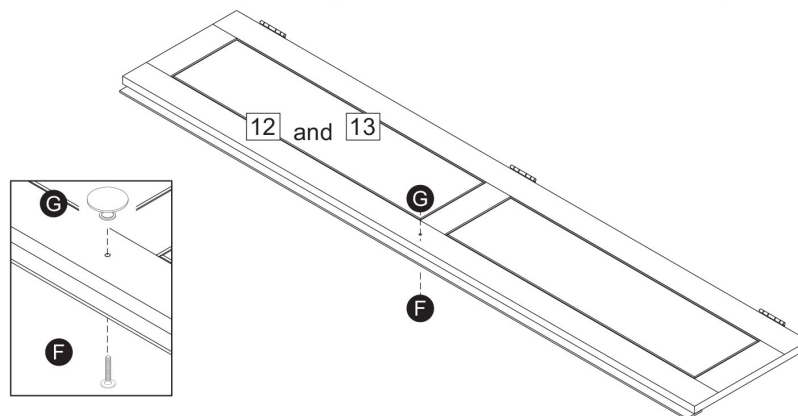


Step 7: Attach the cross rails (14) to the right door (12) and left door (13) using hardware part C. Attach hardware part H using hardware part B. You will need to use a screwdriver (not provided). **DO NOT use any power tools as this may damage the frame and will invalidate any claim.**

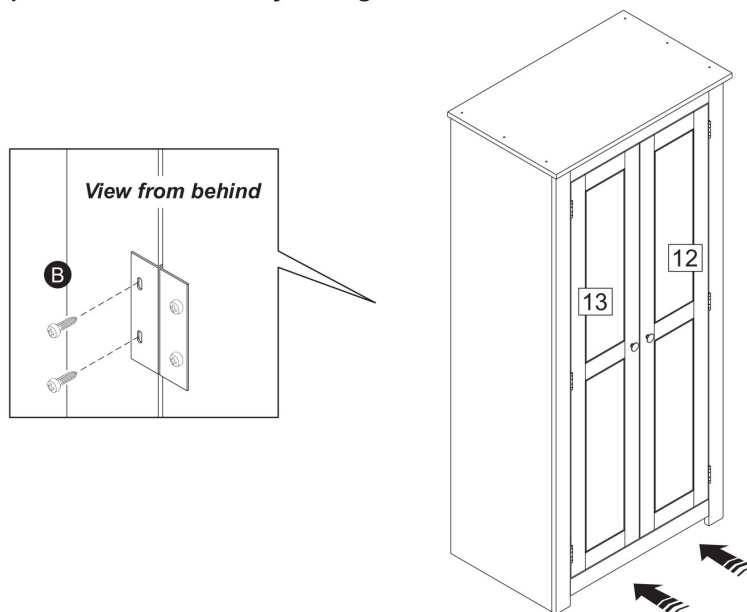
Vendor: S000238



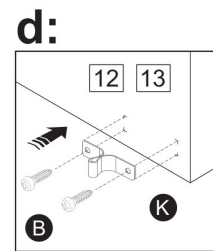
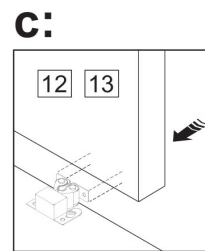
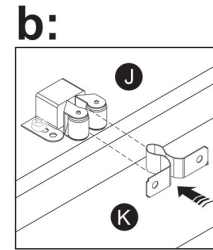
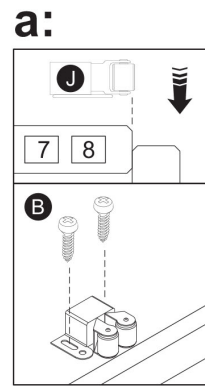
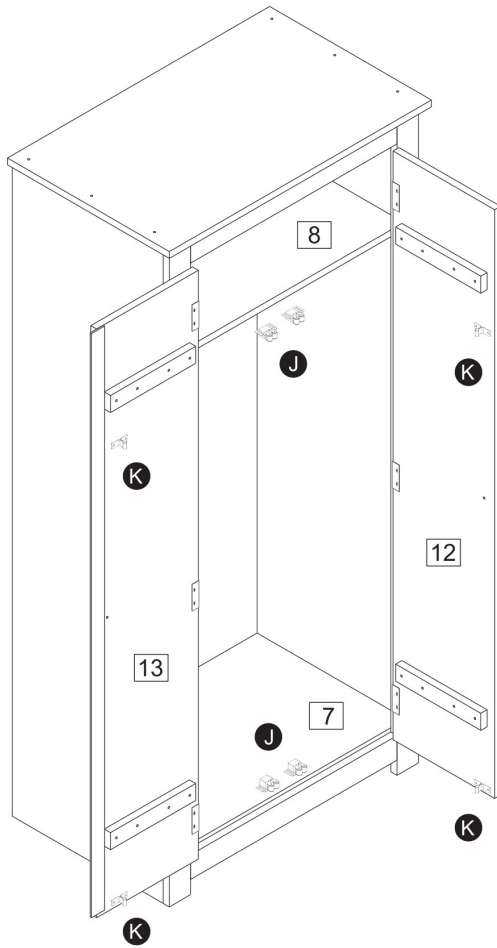
Step 8: Attach hardware part G to the right door (12) and left door (13) using hardware part F and a screwdriver (not provided). **DO NOT use any power tools as this may damage the frame and will invalidate any claim.**



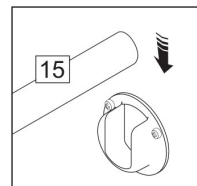
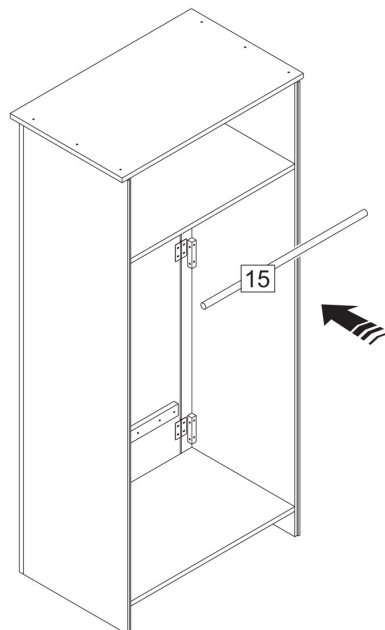
Step 9: Attach the right door (12) and left door (13) using hardware part B and a screwdriver (not provided). **DO NOT use any power tools as this may damage the frame and will invalidate any claim.**



Step 10: Attach hardware part J to the base panel (7) and shelf panel (8) using hardware part B. Vendor: S000238
 Insert hardware part K to hardware part J and push the doors shut against it to mark the wood.
 Attach hardware part K to the right door (12) and left door (13) using hardware part B. You will need to use a screwdriver (not provided).
DO NOT use any power tools as this may damage the frame and will invalidate any claim.



Step 11: Insert the hanging rail (15).
DO NOT use any power tools as this may damage the frame and will invalidate any claim.

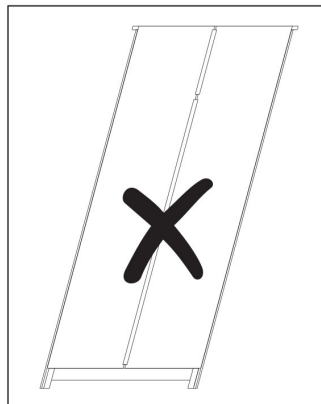
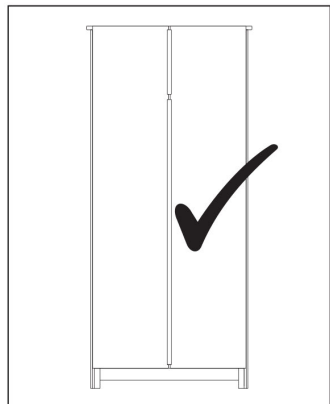
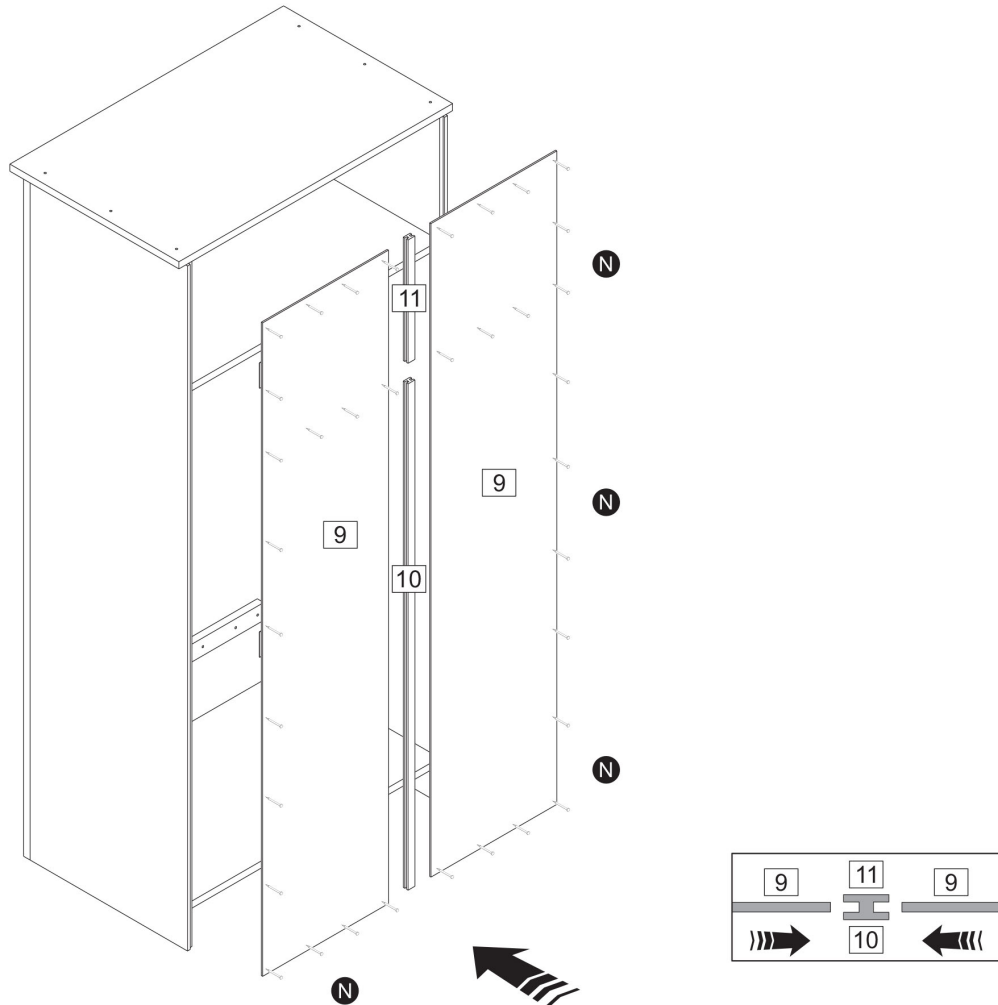


Step 12: Join the back panels (9) together with the large spine (10) and small spine (11).

Vendor: S000238

Secure to the frame using hardware part N and a small mallet (not provided).

DO NOT use any power tools as this may damage the frame and will invalidate any claim.



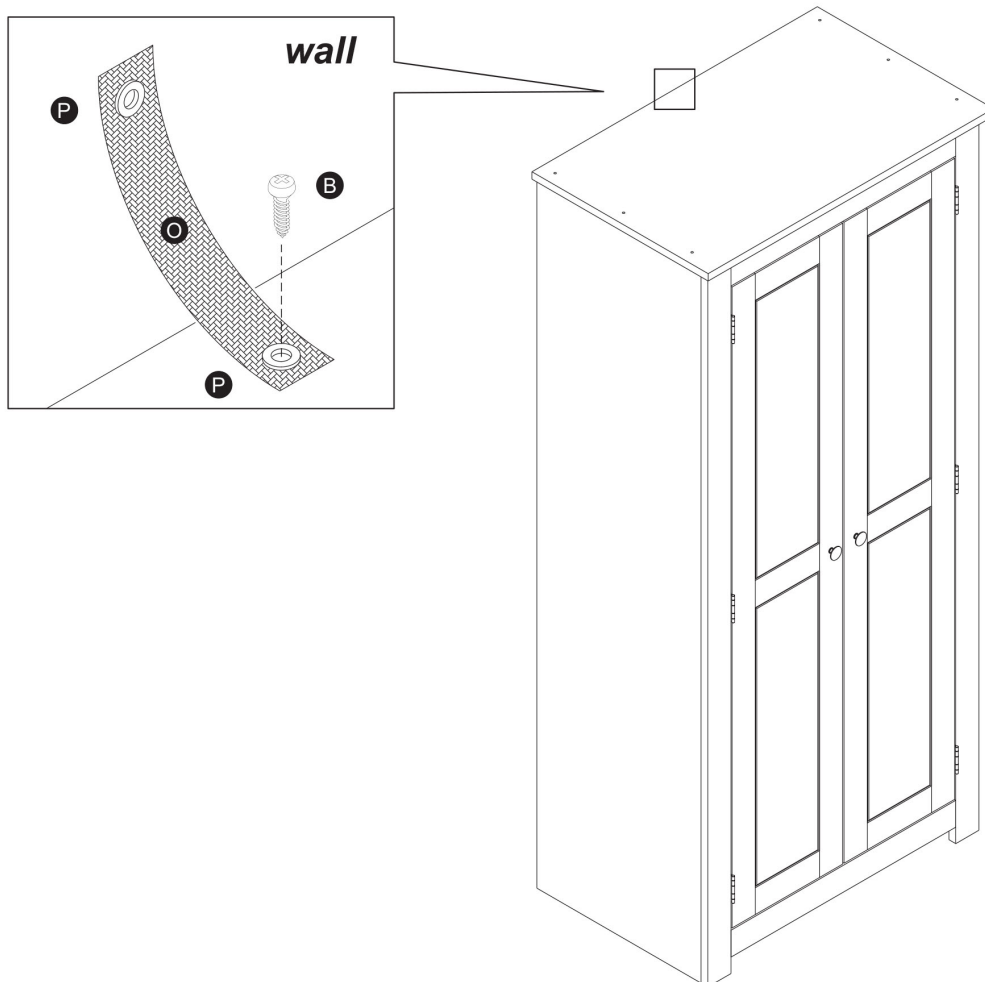
Step 13: Furniture must be fixed to a wall.

Vendor: S000238

Fix wall strap O to top of furniture using washer P and screw B .

With help, move furniture into position.

Wall plugs not supplied. The correct type of fixing must be used for your wall, seek professional advice if in doubt.



Additional Information:

- For complete product information, images and dimension diagrams please visit the website www.birlea.com
- If you have any issues with your item please contact the retailer directly you purchased it from who will be able to resolve any issues with Birlea.
- Why don't you send us photos of your assembled furniture to info@birlea.com to be shared in our #birleahome feature on Instagram.