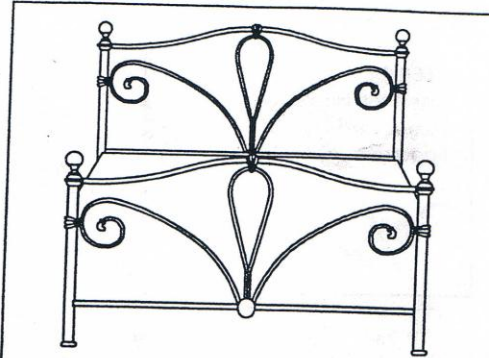


1. Please read through and follow the step-by-step instructions in the leaflet.
2. Please do not discard any packaging before you have checked all the parts and fittings are included.
3. We recommend that assembly is done in the room intended for use and it is assembled by two people.
4. Assemble this product on a flat and clean surface to avoid scratching.
5. Do not tighten any bolts before all the parts have been assembled loosely. Product and/or fittings might be damaged by over tightening screws or bolts. Beware of cross-threading the screws or nuts during assembly.
6. Keep fittings away from childrens' reach.
7. All Limelight beds are produced to the highest standards and are packed to avoid damage in transit, should you find that your new bed does not meet with you satisfaction please contact Limelight customer care on **01455 850150**.

****PLEASE NOTE : GOODS THAT NEED TO BE RETURNED SHOULD BE SENT BACK IN ORIGINAL PACKAGING.**

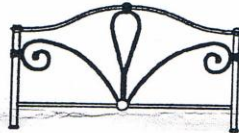


NIMBUS (YORK) SMALL DOUBLE BED

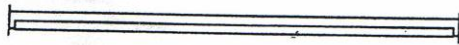
SAFETY WARNING:
Do not stand on the bedbase.

COMPONENT PARTS

- [1] - Headend Frame x 1pc [2] - Footend Frame x 1pc



- [3] - Siderails x 2pcs



- [4] - Centre Rail x 1pc



- [5] - Across Bar x 2pcs



- [6] - Centre Plastic Holders x 12pcs



- [7] - Side Plastic Holders x 24pcs



- [8] - Wooden Slat x 24pcs



- [9] - Support Leg x 2pcs



- [10] - Finials x 4pcs



FITTINGS

- [A] - M6x15mm bolt x 4pcs



- [B] - M6x20mm bolt x 8pcs



- [C] - M6x50mm bolt x 4pcs



- [D] - M6x60mm bolt x 4pcs



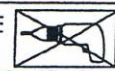
- [E] - M6 Hex nut x 12pcs



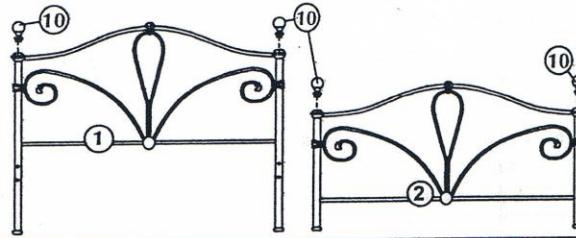
- [F] - M4 Allen Key x 1pc



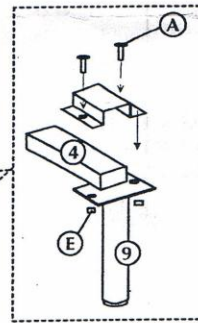
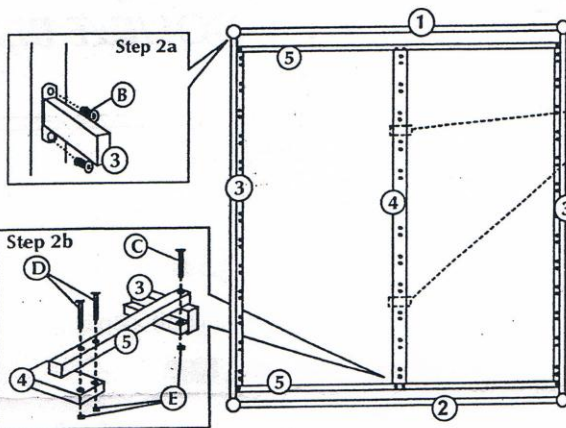
USE OF A POWER TOOL TO ASSEMBLE THE PRODUCT WILL INVALIDATE ANY CLAIM AND COULD MAKE THIS PRODUCT UNSAFE.



STEP 1 :
Insert the Finials (10) to
Headboard (1) and
Footboard (2)



STEP 2a : Attach Siderails (3) to the Headend and Footend.
STEP 2b : Attach Across Bar (5) and followed by the
Centre Rail (4) to form the bed base.



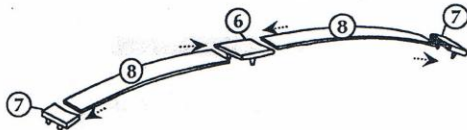
STEP 2C :
Attach the Support Legs (9)
to the Centre Rail (4)

Note : Please make sure the Support Leg is attached
as shown below.

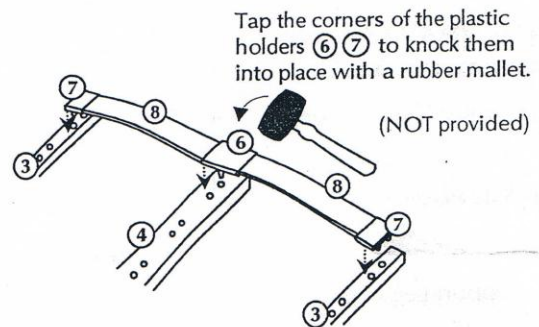


The assembled position is between the
3rd and 4th slat from each end.

STEP 3 : Insert the Wooden Slat (8) into the
Plastic Holders (6, 7).



STEP 4 : Align the pins on the Plastic Holders (6, 7)
to the holes along the Centre Rail (4) and the
Siderails (3). Gently tap them into the holes.



**Please check and tighten all bolts after assembling.
Remember to re-check and tighten screws and bolts periodically or when necessary.**